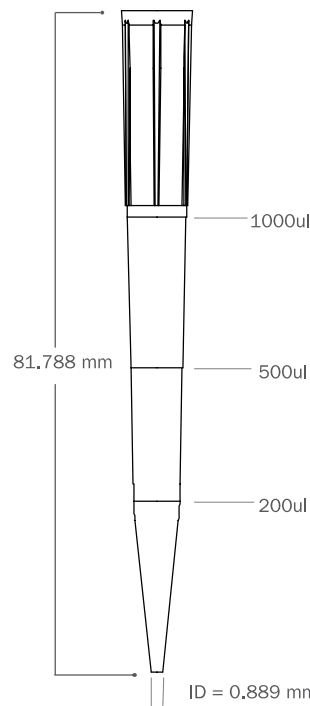


Series	2160 Series 1000 µl Universal Tip		
Part Number	2160	2167.96 2167.96.S	2162.96 2162.96.S
Graduation Marks	Graduation marks are indicated at 100 µl, 200 µl and 500 µl locations – refer to product image for visuals		
Tip Composition	Neptune pipette tips are made of virgin polypropylene		
Tip Type Available	Natural polypropylene		
Filter Material	Non-filtered products		
Offered in Pre-Sterile Format	No	Yes	
Configuration	Bulk	ESP Reload*	Racked
Packaging Breakdown	1000 tips per bag 4 bags per case	96 tips per card 10 cards per pack 5 packs per case	96 tips per rack 8 trays per pack 4 packs per case
Autoclavable	Autoclavable at 120° C for 10-15 minutes at 15 PSI		
Storage Conditions	Store in a clean, dry environment at room temperature 15-30°C		

2160 Series



ESP Reload* Neptune's patented reload system
Environmentally Sustainable Pack (ESP) reduces plastic waste by up to 90%





Quality Control:

Certificates of Compliance	Each lot undergoes stringent inspection and individual lot testing ensures Neptune products are certified RNase, DNase, DNA and Endotoxin-free. Visit www.neptunescientific.com to obtain a copy of a certificate of compliance for your Neptune product.
RNase/DNase	Products are washed in distilled water and concentrated via centrifugation. Samples are added to previously established nucleic acid standards, incubated for one hour at 37°C, and tested on a 2% gel using electrophoresis. Products must show no degradation of standards to pass. Test sensitivity is 10 ⁻⁷ Kunitz units/μl.
Nucleic Acid	Products are washed in distilled water and concentrated via centrifugation. Then, samples are added to protocol specified PCR reactions and thermal cycled for 50 cycles. A 2% agarose gel electrophoresis is used to examine experimental samples, positive controls, and negative controls. To pass, product samples must show no DNA amplification. Test sensitivity is 10 ng.
Endotoxin/Pyrogen	Products are tested for endotoxins by using the Limulus Amebocyte Lysate (LAL) gel assay according to FDA guidelines. Test sensitivity is 0.06 EU/ml.
Sterilization	Products are sterilized using electron beam irradiation.
Traceability	Each product contains a 5 digit lot number located on the rack, pack and case of each finished good. With Neptune's advanced manufacturing process all raw materials are able to be traced for maximum quality assurance.

Advancements in Liquid Handling:

ESP Reload	Neptune's ESP (Environmentally Sustainable Pack) was the industry's first pipette reload system designed to minimize plastic waste by 90% and provide an environmentally friendly solution.
Tip	Specifically engineered to reduce cross contamination.

Pipettor Compatibility:

Not compatible with multichannel pipettes

Biohit Proline™ 1000 μl

Brand Transferpette™ 1000 μl

CLP Beta-Pette™ 1000 μl

CLP Poseidon™ 1000 μl

CLP Poseidon Electronic™ 1000 μl

Eppendorf Reference™ 1000 μl

Eppendorf Research™ 1000μl

Eppendorf Research Plus™ 1000 μl

Eppendorf Xplorer™ 1000 μl

Finnpipette™ 1000 μl & 1200 μl

Gilson Pipetman™ P1000

Hamilton™ 1000 μl

Labnet BioPette E™ 1200 μl

Nichiryo Nichipet EX™ 1000 μl

Socorex Calibri 822™ 1000 μl

VWR Ergonomic High Performance™ 1000 μl

VWR Ultra High Performance™ 1000 μl