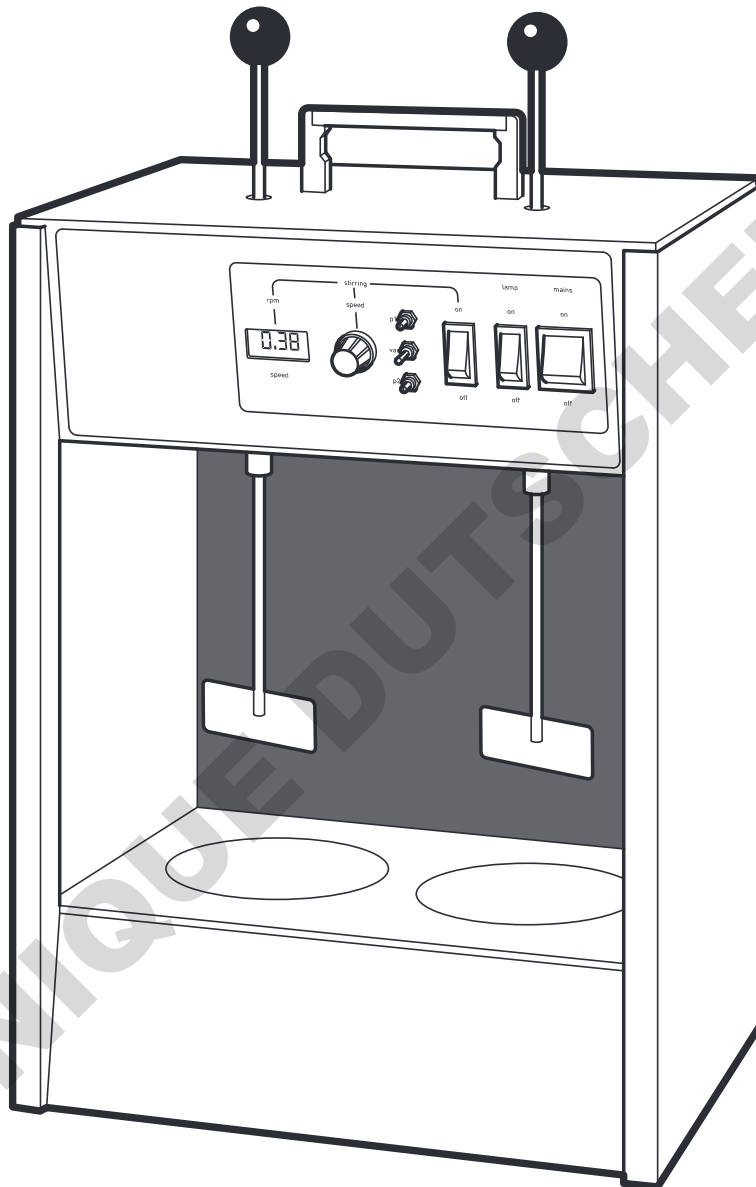


# Cole-Parmer<sup>®</sup>

FJT-200 Series

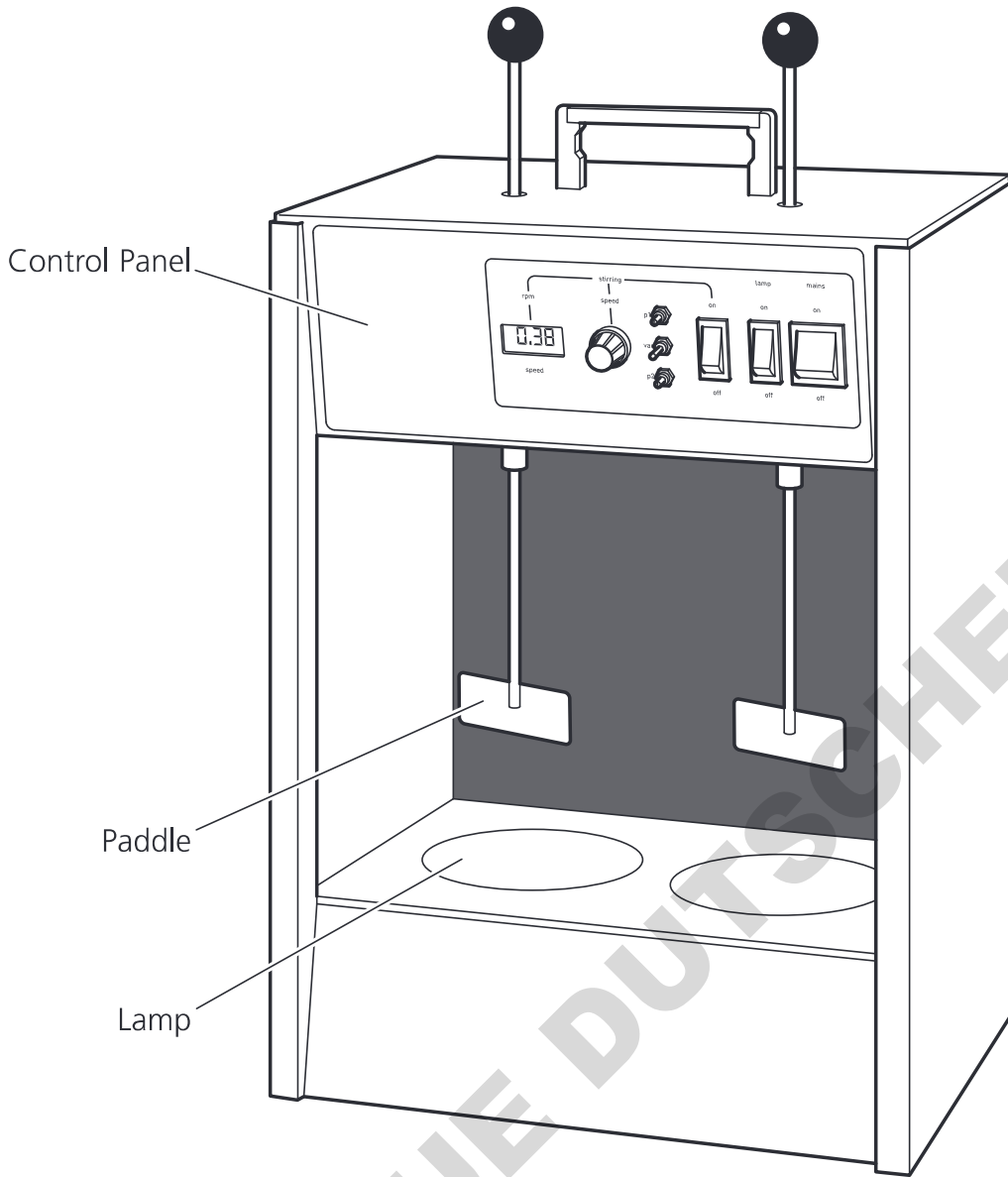
2 Position Flocculator



Instruction Manual

ISW105(S) Version 1.5

**Cole-Parmer<sup>®</sup>**  
essentials

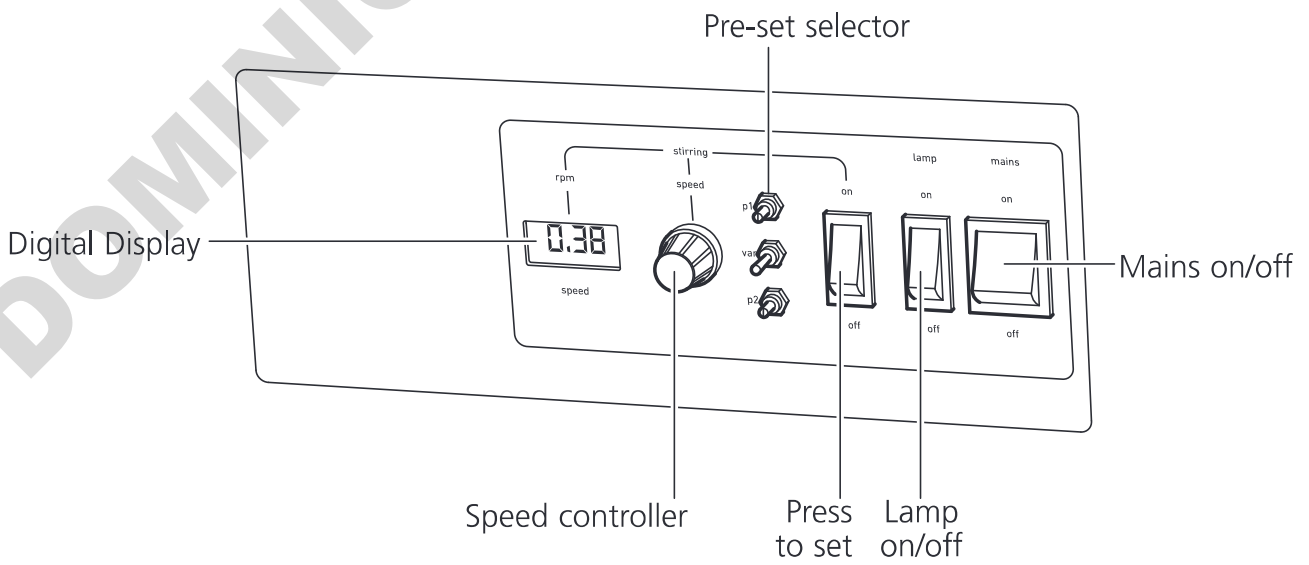


Control Panel

Paddle

Lamp

**Fig 1 FJT-200D**



Digital Display

Speed controller

Press to set  
Lamp on/off

Mains on/off

**Fig 2 Control panel**

**Thank you for purchasing this Cole-Parmer product. To get the best performance from the equipment, and for your personal safety, please read these instructions carefully before use.**

This equipment is designed to operate under the following conditions:-

- ❖ For indoor use only
- ❖ Use in a well ventilated area
- ❖ Ambient temperature range +5°C to +40°C
- ❖ Altitude to 2000m
- ❖ Relative humidity not exceeding 80%
- ❖ Mains supply fluctuations not exceeding 10%
- ❖ Overvoltage category II IEC60364-4-443
- ❖ Pollution degree 2 IEC664

If the equipment is not used in the manner described in this manual the protection provided by the equipment may be impaired.

## Electrical Installation



**THIS EQUIPMENT MUST BE EARTHED**

**Before connection please ensure that the line supply corresponds to that stated on the rating label.**

This unit requires a supply rated at 230V, 50-60Hz, single phase. Power consumption is 100W.

There is an IEC socket at the rear of the instrument for connection to the mains supply. The unit is supplied with two mains leads fitted with IEC plugs for connection to the instrument. One has a U.K. 3 pin plug and the other has a 2 pin "schuko" plug for connection to the mains supply. Choose the lead appropriate for your electrical installation and discard the other.

Should neither lead be suitable, take the lead with the U.K. plug and replace the plug with a suitable alternative. See the enclosed instruction sheet for advice on how to carry out this procedure.

Should the mains lead require replacement a cable of 1mm<sup>2</sup> of harmonised code H05W-F connected to an IEC 320 plug should be used. N.B. The UK mains lead is protected by a 10A fuse mounted in the plug top.

The mains lead should be connected to the instrument BEFORE connection to the mains supply.

### IF IN DOUBT CONSULT A QUALIFIED ELECTRICIAN

#### Safety Advice Before Use

- ❖ Never move or carry the unit when in use or connected to the mains electricity supply.
- ❖ Never move or carry the unit while beakers are in place.
- ❖ The FJT-200D may be carried by the handle on the top of the unit.
- ❖ Do not mix flammable liquids or use the equipment in hazardous atmospheres.
- ❖ In the case of mains interruption, a fault or mechanical failure, the unit will NOT continue to operate on removal of fault.
- ❖ Mechanical energy can lead to breakage of glass vessels. Use with care.

## General Description

The Cole-Parmer FJT-200D Flocculator is designed to ensure repeatable conditions between samples during water and sewage flocculation tests.

The speed control has electronic feedback to accurately maintain the rotational speed of the stainless steel paddles. A digital display clearly indicates the speed, which is variable between 25 and 250 rpm. Alternatively, the use of two adjustable pre-sets allows repetition of pre-selected speeds at the flick of a switch.

All paddles can be easily lifted out of the samples when required. Observation and monitoring of samples is assisted by diffused base illumination and a black background.

## Controls (see page 2)

Figure 2 shows the controls for the FJT-200D.

**Mains on/off:** This is a rocker type switch which illuminates when the unit is on.

**Lamp on/off:** This is a rocker type switch which illuminates when the unit is on.

**Pre-set selector:** This three way switch allows selection of either variable speed (VAR), or one of the two pre-set speeds (P1 and P2).

**Speed controller:** This knob controls the paddle speed in conjunction with the press to set switch. Turning it to the right increases the speed, turning it to the left decreases the speed.

**Digital display:** This screen displays the paddle speed in rpm.

## Operation (see Fig 1 & 2)

Place the unit on a firm, level surface and connect to the mains supply. Leave sufficient space to access the side IEC socket.

Turn the mains and lamp switch on and observe the fluorescent lamp illuminate. Use the blue knob to move the stirrer paddles up or down as required.

To position a beaker, lift the paddle up to its maximum height using the paddle lift and place the vessel over the illuminated base. Once the samples are in position, lower the paddles into the beakers to the required depth.

### Selecting a variable speed

Set the Pre-set Selector to the VAR (variable) position. Hold down the 'Press-to-set' switch and turn the Speed Controller until the desired speed in rpm appears on the digital display.

### Selecting a pre-set speed

Set the Pre-set Selector to the P1 position. To change the fixed speed, insert the blade of a small screwdriver and turn the screw control clockwise or anticlockwise until the desired speed in rpm appears on the digital display. Now every time the Pre-set Selector is put to the P1 position, the stirring paddles will rotate at that speed.

If a second pre-set speed is required, set the Pre-set Selector to the P2 position and repeat the procedure.

## Maintenance & Servicing



**WARNING:** Ensure the unit is disconnected from the mains electricity supply before attempting maintenance or servicing.

Periodically clean the instrument using a damp cloth and mild detergent solution. Do not use harsh or abrasive cleaning agents.

**Any repairs or replacement of parts MUST be undertaken by suitably qualified personnel.**

The following spares and accessories are available from your laboratory dealer.

Description	Catalogue Number
Fuse	ESM3C15(S)UL
Mains On/Off	ESM3C21(S)
Paddle	CSW124
Light tube	ESW501(S)
Motor	MSW501(S)

For a comprehensive list of parts required by service engineers conducting internal repairs, please contact the Service Department, quoting both the model number and serial number:

Email: [cpsservice@antylia.com](mailto:cpsservice@antylia.com)  
Tel: +44 (0)1785 810475

Only spare parts supplied or specified by Antylia Scientific or its agents should be used. Fitting of non-approved parts may affect the performance of the safety features designed into the instrument. If in any doubt, please contact the Service Department of Antylia Scientific or the point of sale.

For any other technical enquiries, please contact the Technical Support Department:  
Email: [cpstechsupport@antylia.com](mailto:cpstechsupport@antylia.com)  
Tel: +44 (0)1785 810433.

# Technical Specification

	<b>FJT-200D</b>
No. of samples	2
Speed range	25-250rpm
Speed pre-sets	2
Speed display	LED
Dimensions	320 x 210 x 500mm
Net weight	8.6kg
Power	100W

DOMINIQUE DUTSCHER SAS

# Notes

**DOMINIQUE DUTSCHER SAS**

**CE UK CA** This product meets the applicable CE Directives and UKCA Legislation for radio frequency interference and may be expected not to interfere with, or be affected by, other equipment with similar qualifications. We cannot be sure that other equipment used in its vicinity will meet these standards and so we cannot guarantee

that interference will not occur in practise. Where there is a possibility that injury, damage or loss might occur if equipment malfunctions due to radio frequency interference, or for general advise before use, contact the manufacturer.

Declaration of Conformity is available to view online at [www.coleparmer.com](http://www.coleparmer.com)

DOMINIQUE DUTSCHER SAS

**EU Representative address**

Antylia Scientific GmbH  
Futtererstraße 16  
97877 Wertheim  
Deutschland  
Tel: +49 9377 9203-0  
Email: [sales@coleparmer.de](mailto:sales@coleparmer.de)

**UK Representative address**

Antylia Scientific  
9 Orion Court  
Ambuscade Road  
Colmworth Business Park  
St. Neots  
PE19 8YX  
United Kingdom  
Tel: +44 (0) 1480 277339  
Email: [enquiries@antylia.com](mailto:enquiries@antylia.com)

# Ordering Information

Order No.	Series	Model	Legacy SKU
99551-00	FJT-200	FJT-200D	SW5

Warranty Registration



## UK

T: +44 (0) 1480 272279  
E: uk.sales@antylia.com  
W: coleparmer.co.uk

## Germany

T: +49 (0) 9377 92030  
E: de.sales@antylia.com  
W: coleparmer.de

## France

T: +33 (0) 1486 37800  
E: fr.sales@antylia.com  
W: coleparmer.fr

## Italy

T: +39 (0) 284349215  
E: it.sales@antylia.com  
W: coleparmer.it

## India

T: +9122 61394444  
E: info@coleparmer.in  
W: coleparmer.in

## China

T: +1 847 549 7600  
E: sales@antylia.com  
W: coleparmer.com

## USA

T: +1 847 549 7600  
E: sales@antylia.com  
W: coleparmer.com

## Canada

T: +514 355 6100  
E: info@antylia.ca  
W: coleparmer.ca

## Other

T: +1 847 549 7600

**Cole-Parmer®**  
essentials

**Antylia Scientific Ltd.**

Beacon Road,  
Stone,  
Staffordshire,  
ST15 0SA,  
United Kingdom

