

## TECHNICAL DATASHEET

**PART NUMBER 713165**



The ISO8655 norm guarantees that the tips used do not alter the technical characteristics of the pipettes, as given by the manufacturer.



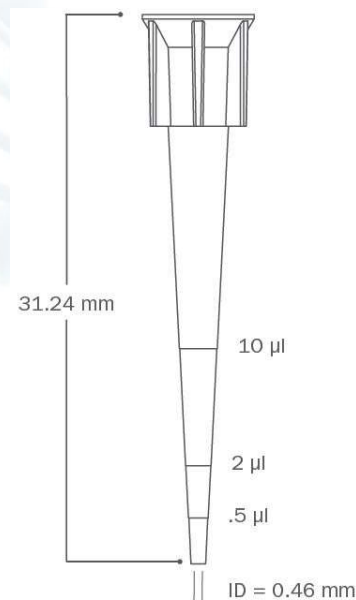
CE marked products are in accordance with the essential health and safety guidelines set by European directives.



Products are certified in accordance with the 79/98/EC directive related to In Vitro Diagnostic medical devices.

## ClearLine Tips

<b>Cat. N°</b>	713165
<b>Volume (µl)</b>	10 µl
<b>Low binding</b>	No
<b>Filter</b>	No
<b>Sterile</b>	No
<b>Autoclavable</b>	Yes
<b>Material</b>	Medical grade virgin polypropylene
<b>Packaging</b>	Refill system in CleanPack
<b>Storage</b>	Store in a clean, dry location at ambient temperature
<b>Quality Control</b>	Each lot certified : RNase, DNase-free, Human DNA free, Endotoxin & pyrogen free
<b>Traceability</b>	On each rack : 5-digit lot number The tip's volume & Cat. N° Expiry date



### Units :

**960 tips**