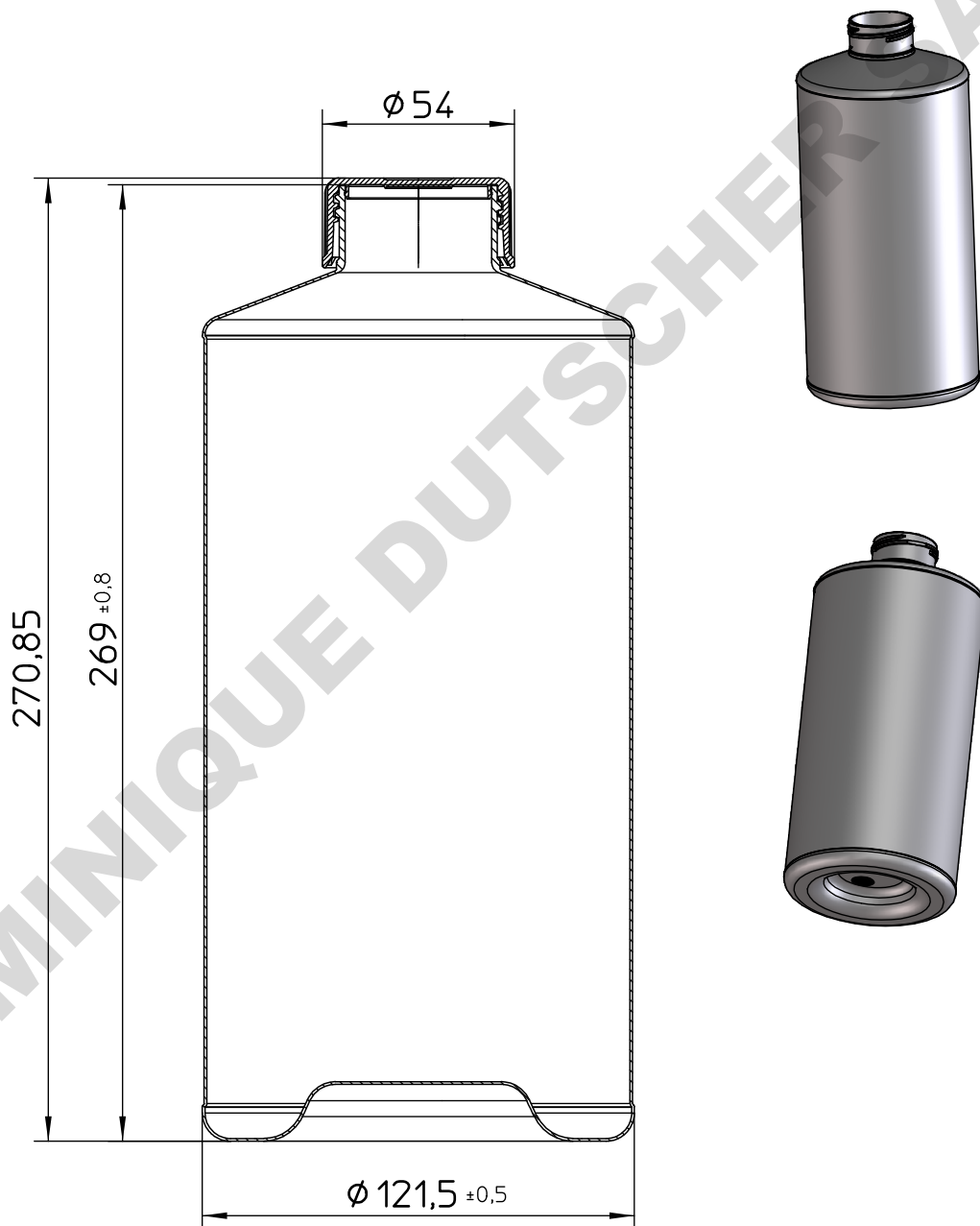


Valid for Item-No.: 680645, 680648, 680658, 680660, 680665, 680668,



DOMINIQUE DUTSCHER SAS

"All dimensions in mm"
Customer drawing subject to change without notice!

Uncontrolled Copy

Prior Issue	Drawn	Approved	Released	CONFIDENTIAL: Information contained in this document or drawing is confidential and proprietary to Greiner Bio-One GmbH. This document may not be reproduced for any reason without written permission from Greiner Bio-One GmbH. All rights of design, invention, and copyright are reserved.
Revision	Date 2019/05/10	Date 2020/11/18	Date 2020/11/18	
Date	Name schwarzj	Name forb	Name sonntag	