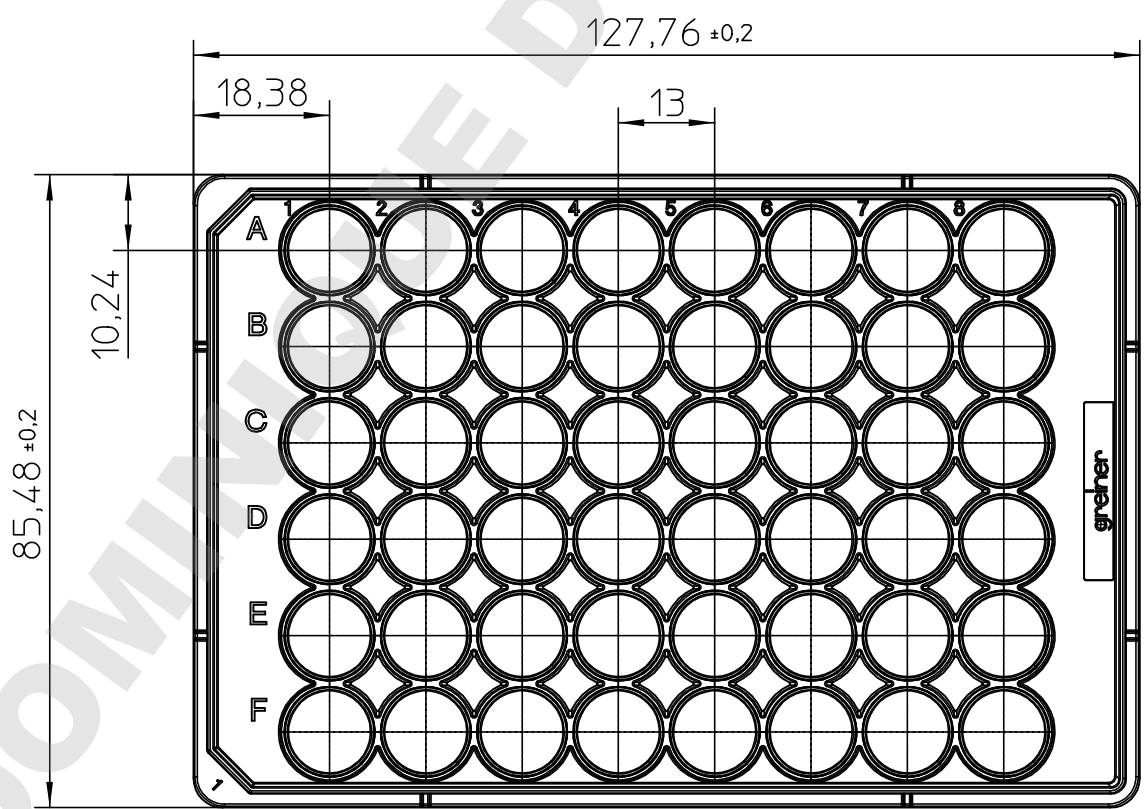
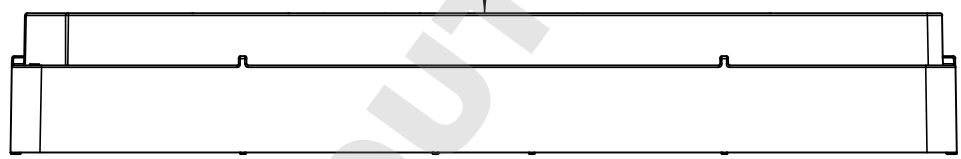


Curvature $+0,2$
 $-0,1$

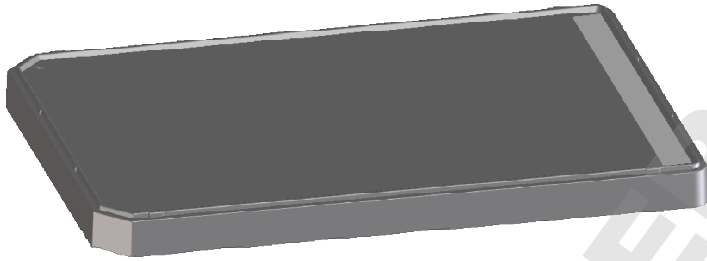


"All dimensions in mm"

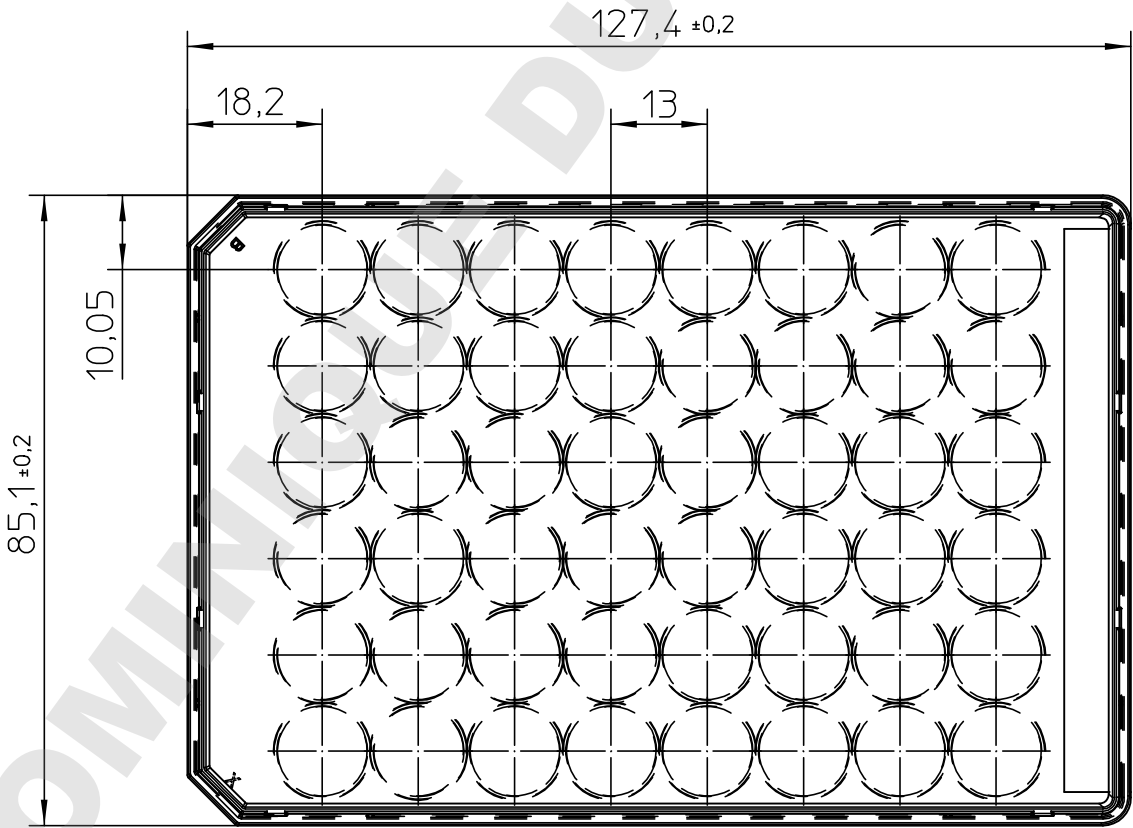
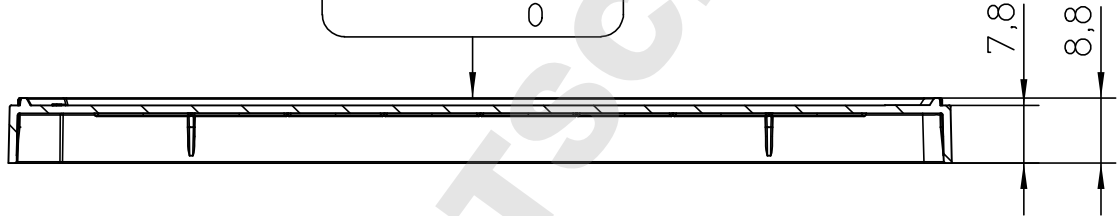
Customer drawing subject to change without notice!

Uncontrolled Copy

Prior Issue	Drawn	Approved	Released	CONFIDENTIAL: Information contained in this document or drawing is confidential and proprietary to Greiner Bio-One GmbH. This document may not be reproduced for any reason without written permission from Greiner Bio-One GmbH. All rights of design, invention, and copyright are reserved.
Revision 2	Date 2014/02/27	Date 2014/12/08	Date 2015/01/09	
Date 2014/03/03	Name schwarzj	Name schwarzj	Name sonntag	



Curvature $+0,2$
 0



"All dimensions in mm"
Customer drawing subject to change without notice!

Uncontrolled Copy

Prior Issue	Drawn	Approved	Released	<small>CONFIDENTIAL: Information contained in this document or drawing is confidential and proprietary to Greiner Bio-One GmbH. This document may not be reproduced for any reason without written permission from Greiner Bio-One GmbH. All rights of design, invention, and copyright are reserved.</small>
Revision 2	Date 2014/02/27	Date 2014/12/08	Date 2015/01/09	
Date 2014/03/03	Name schwarzj	Name schwarzj	Name sonntag	