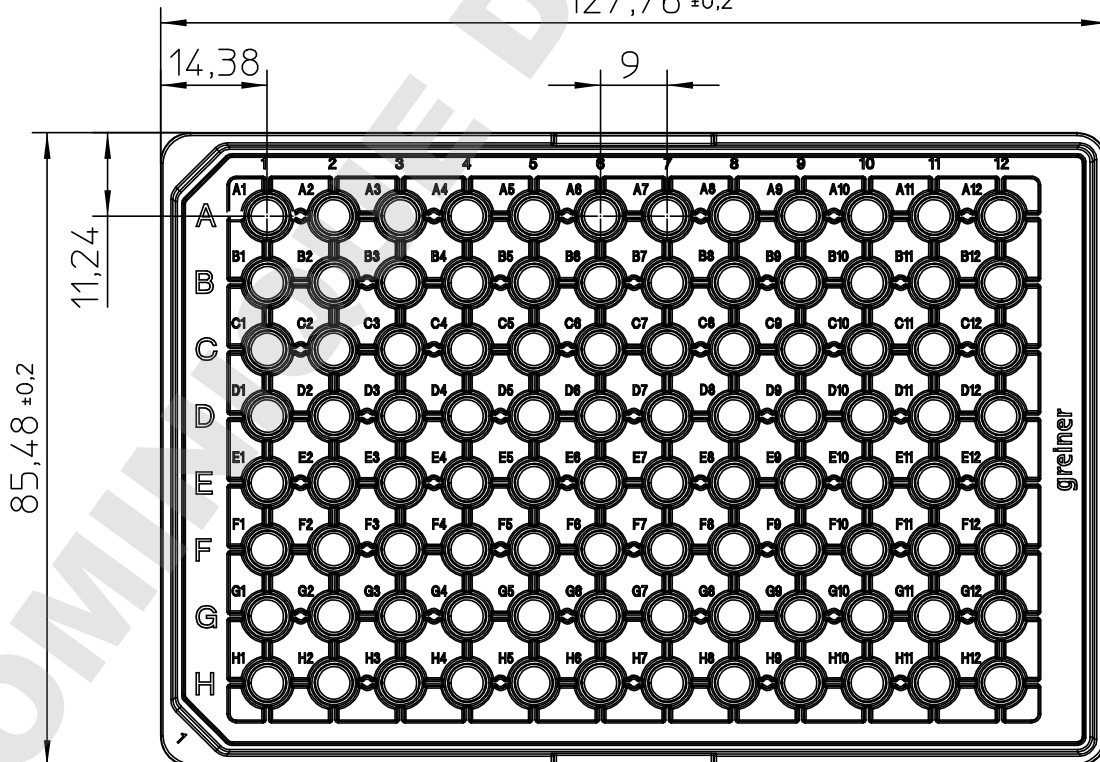


Curvature max.0,2



127,76 ± 0,2



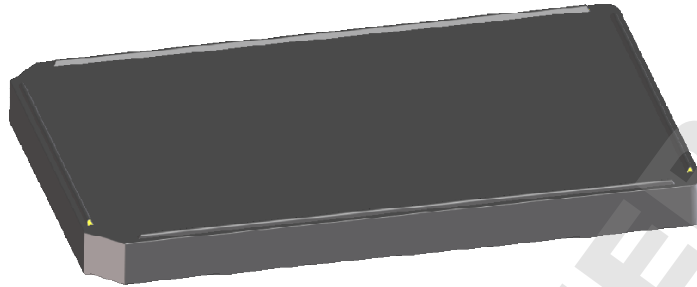
"All dimensions in mm"

Customer drawing subject to change without notice!

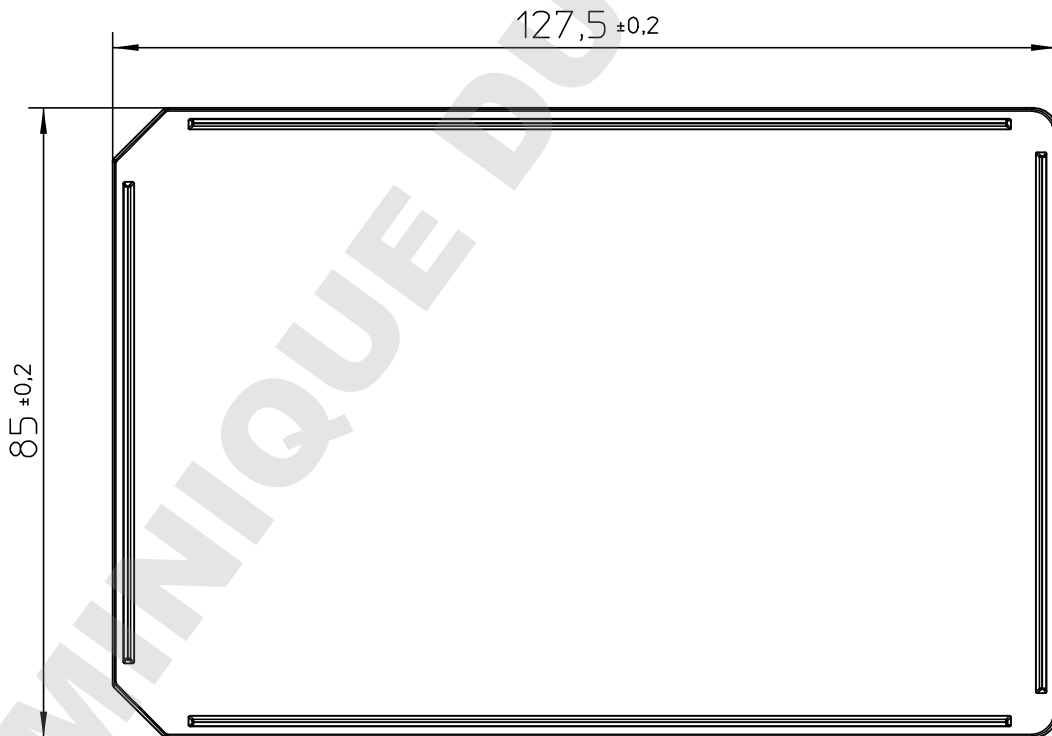
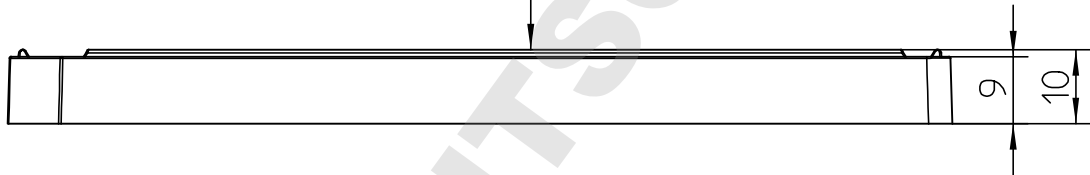
Uncontrolled Copy

Prior Issue	Drawn	Approved	Released	CONFIDENTIAL: Information contained in this document or drawing is confidential and proprietary to Greiner Bio-One GmbH. This document may not be reproduced for any reason without written permission from Greiner Bio-One GmbH. All rights of design, invention, and copyright are reserved.
Revision 1	Date 2011/02/21	Date 2015/01/22	Date 2015/01/22	
Date 2011/02/21	Name forb	Name schwarzj	Name sonntag	

Valid for Item-No.: 675101, 675161, 675180



Curvature $+0,3$
 $-0,3$



Only Part-No. 675180 with lid

"All dimensions in mm"

Customer drawing subject to change without notice!

Uncontrolled Copy

Prior Issue	Drawn	Approved	Released	CONFIDENTIAL: Information contained in this document or drawing is confidential and proprietary to Greiner Bio-One GmbH. This document may not be reproduced for any reason without written permission from Greiner Bio-One GmbH. All rights of design, invention, and copyright are reserved.
Revision 1	Date 2011/02/21	Date 2015/01/22	Date 2015/01/22	
Date 2011/02/21	Name forb	Name schwarzj	Name sonntag	