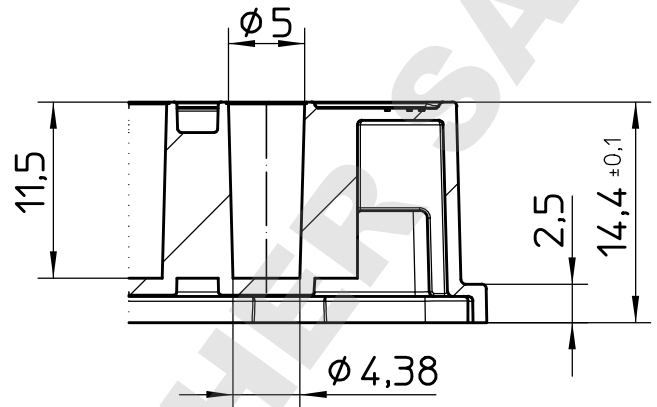
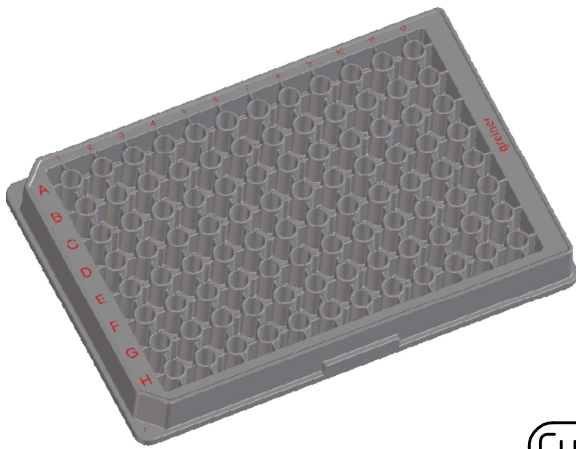
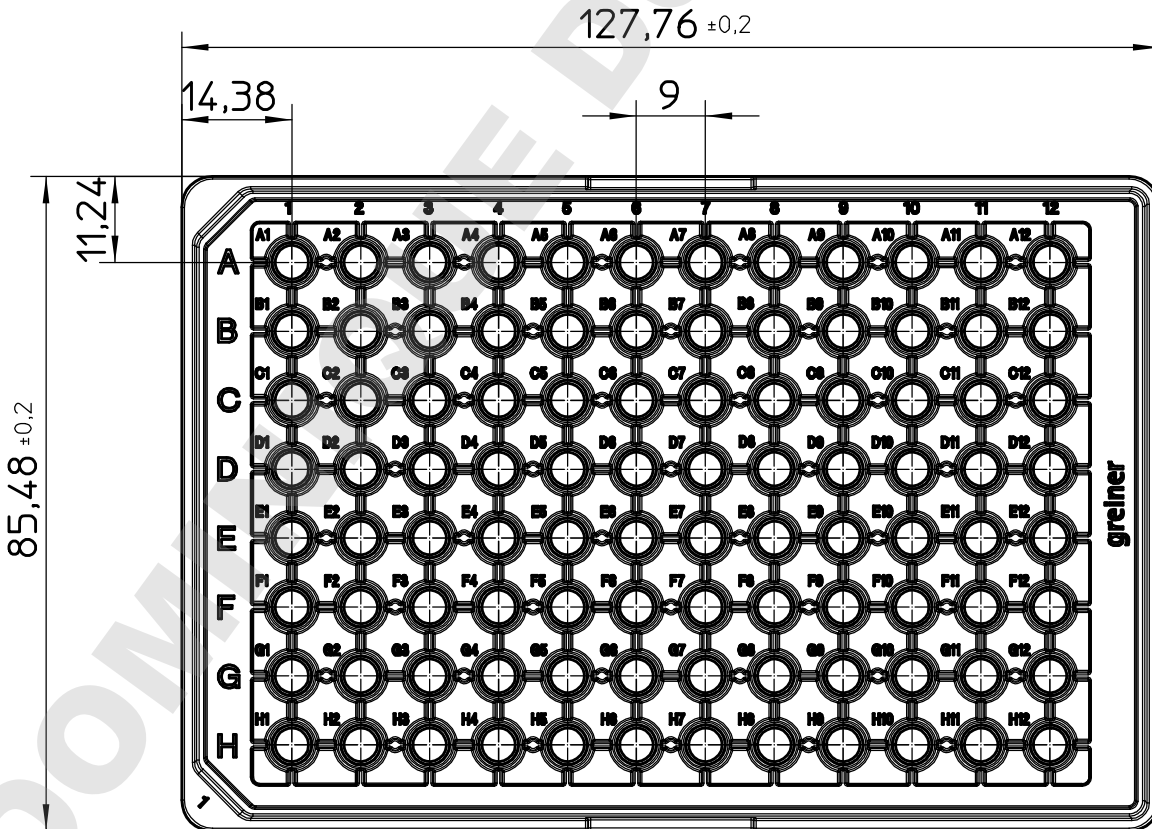


Valid for Item-No.: 675074, 675075, 675076, 675077



Curvature max. 0,20



"All dimensions in mm"

Customer drawing subject to change without notice!

Uncontrolled Copy

Prior Issue	Drawn	Approved	Released	CONFIDENTIAL: Information contained in this document or drawing is confidential and proprietary to Greiner Bio-One GmbH. This document may not be reproduced for any reason without written permission from Greiner Bio-One GmbH. All rights of design, invention, and copyright are reserved.
Revision	Date	Date	Date	
1	2015/03/19	2017/02/03	2017/02/03	
Date	Name	Name	Name	
2015/03/19	forb	kessler	sonntag	