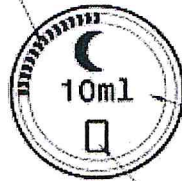


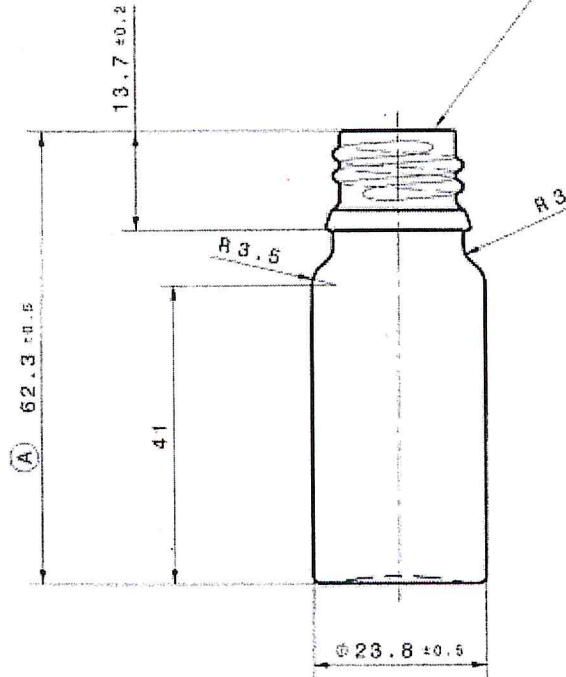
Stipple bearing




Capacity

Mould No.

neck finish
GL 18 SR
drawing No. E 128/.../92



| FLACON 10 ml DIN 18 | | | |
|--------------------------|--------------|--|-----------|
| DATE : | 15/06/2011 | CODE : | FDINLUN10 |
| BAGUE : | DIN 18 |  DISTRIBUTION EMBALLAGES | |
| MATIERE : | VERRE TYPE 3 | | |
| TEINTE : | JAUNE | | |
| POIDS (grs) : | 28 | | |
| CONTENANCE Nominale (ml) | 10 | | |
| CONTENANCE RB (ml) | 11,8 +/- 0,7 | | |