

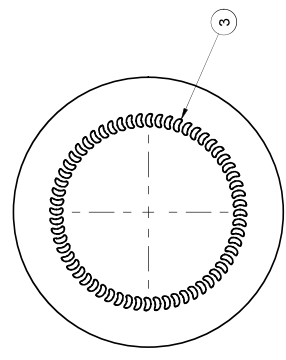
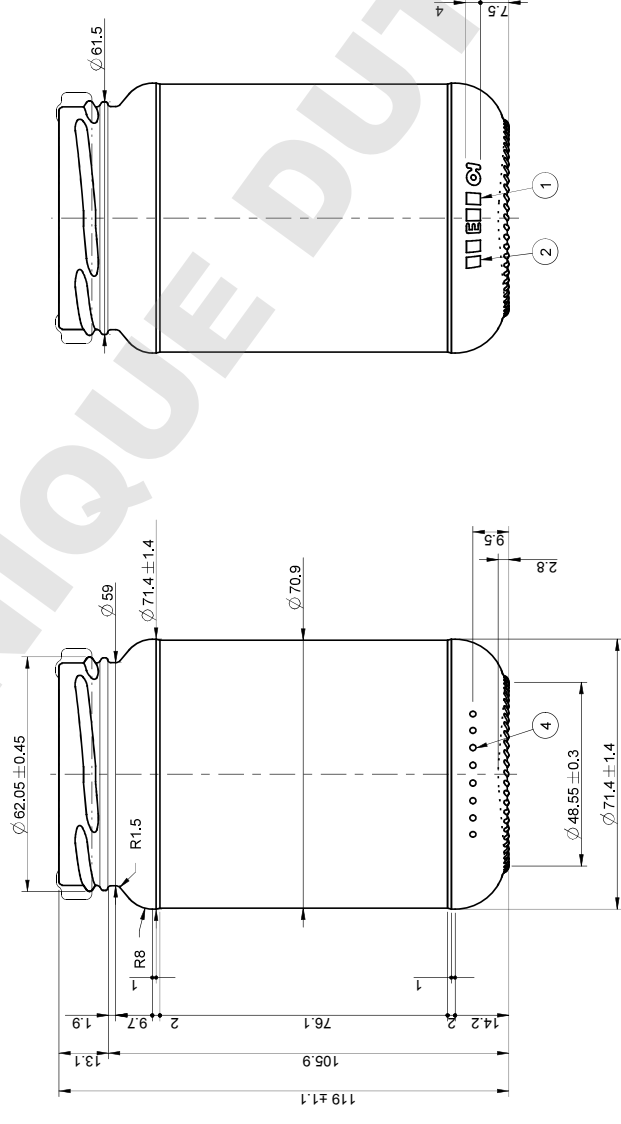
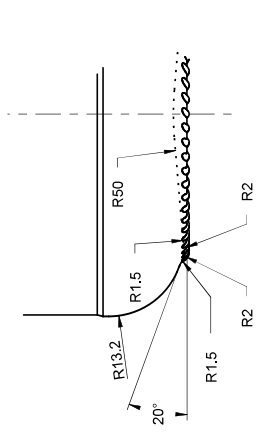
MODELE NON SURDIMENSIONNE

GLASS IS LIFE™
 makers of pure, sustainable,
 brand-building glass packaging

O-I Manufacturing France
 64 bd du 11 Novembre 1918 - BP 1228
 69611 Villeurbanne Cedex, France
 Tel. +33 (0)42666500

**CONTAINER & MOULD ENGINEERING
 EUROPE**

NOTES:
 THIS DRAWING IS THE PROPERTY OF O-I AND
 MUST NOT BE REPRODUCED OR DISCLOSED
 WITHOUT O-I WRITTEN AUTHORIZATION.
 DIMENSIONS EXPRESSED IN mm
 ONLY TOLERANCED DIMENSIONS ARE GUARANTEED.
 MANUFACTURING MARKINGS SHOWN ARE FOR ILLUSTRATIVE
 PURPOSES ONLY. ACTUAL MARKINGS ON CONTAINER
 MAY DIFFER, DEPENDANT ON LOCAL LEGISLATION.



- 1 = TRADEMARK
- 2 = CAVITY No.
- 3 = STIPLING
- THE SHAPE OF STIPLING IS ONLY AN INDICATION AND THE CONSTRUCTION IS AT THE PRODUCTION PLANT DISCRETION.
- 4 = CAVITY CODE

SCALE 1:1

HEAT TREATMENT XX g CO ₂ /l maxi	CARBONATION XX g CO ₂ /l maxi
VERTICAL LOAD 150 daN maxi	THERMAL SHOCK 42 °C maxi
CATEGORY FOOD	TILT ANGLE 23.38°
MAX. VERTICALITY TOLERANCE 1.5 mm	MEASURING CONTAINER NO
FINISH SAP NUMBER 3731	FINISH REF. CETIE GME 20-06 1995
MINIMUM THROUGH BORE mm	MAX FILLING TUBE Ø mm
CONTAINER OVERFLOW CAPACITY (BRIMFUL) 370ml APPROX.	
CONTAINER RATED CAPACITY (FILLPOINT) NA	
CONTAINER WEIGHT 165g APPROX.	
FINISH DESIGNATION FR_63_GME 20-06_H131_3731	
MAX GAS VOLUME	
PROCESS RETURNABLE NO	DESIGN REF. 14_3081

37 CL POT RE TO 63

DESIGNER CHECKED	BCO	DATE 04/09/12
DRAWING NUMBER 120588	MOULD/SAP NUMBER 013471	

No	DATE	REVISIONS	DESIGN/CHECK
06/09/12		REPRISE SUR KBE ANNULE ETE REMPLACE N°6119-01 C	BCO