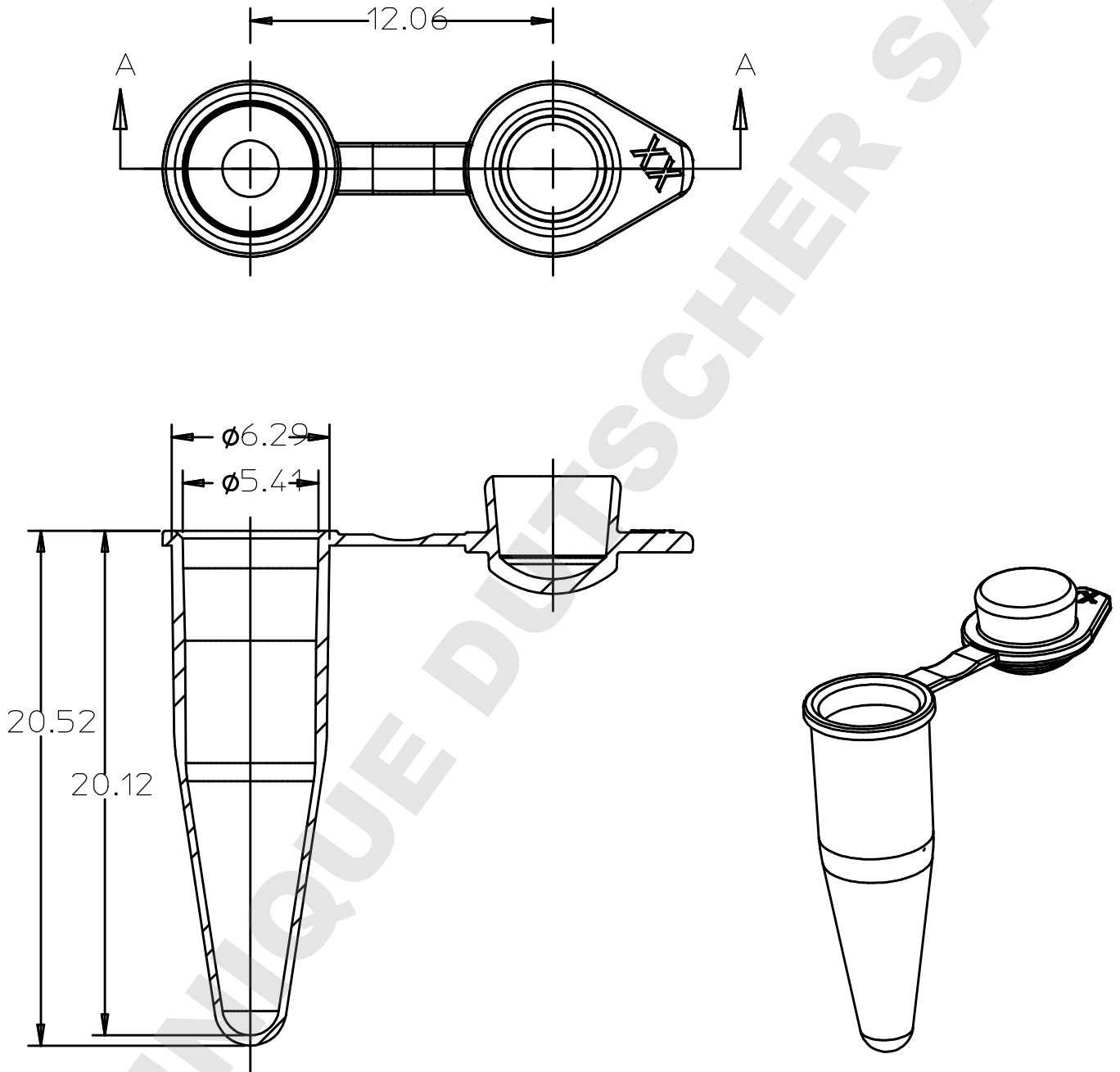


Valid for Item-No.: 671201, 671273, 671274, 671275, 671275, 671276, 671277, 671281



"All dimensions in mm"

Customer drawing subject to change without notice!

Uncontrolled Copy

Prior Issue	Drawn	Approved	Released	CONFIDENTIAL: Information contained in this document or drawing is confidential and proprietary to Greiner Bio-One GmbH. This document may not be reproduced for any reason without written permission from Greiner Bio-One GmbH. All rights of design, invention, and copyright are reserved.
Revision 1	Date 2015/04/16	Date 2015/11/23	Date 2015/11/23	
Date 2015/09/16	Name forb	Name forb	Name sonntag	