
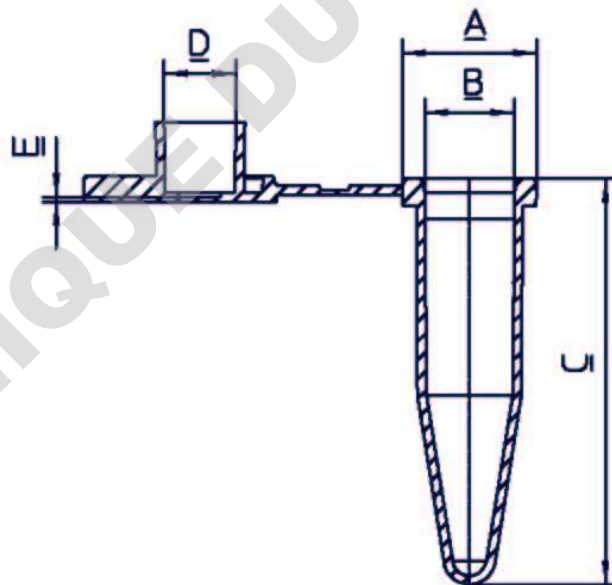


AC- 667201	<b>CUSTOMER DRAWING</b>	Page 1 of 1
Revision 01	PP Reaction Tube 0.5 ml	 <b>greiner bio-one</b>
	Item-No. 667201	



Cat.-No.	Description	A	B	C	D	E
667 201	Reaction Tube	Ø 10.0 ±0.1	Ø 6.65	30.0 ±0.1	Ø 5.4	0.3

All dimensions in mm

Customer drawing subject to change without notice!

Prior Issue	Drawn	Approved	Released	<b>CONFIDENTIAL:</b> Information contained in this document or drawing is confidential and proprietary to Greiner Bio-One GmbH. This document may not be reproduced for any reason without written permission from Greiner Bio-One GmbH. All rights of design, invention, and copyright are reserved.
Revision 01	Date June 17, 2005	Date June 17, 2005	Date June 17, 2005	
Date June 17, 2005	Name F. Falter	Name F. Sonntag	Name F. Sonntag	