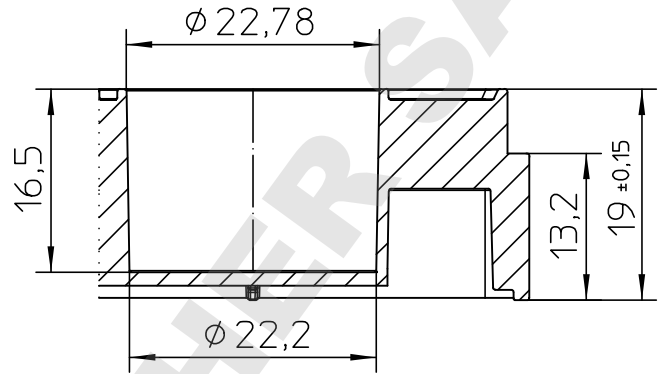
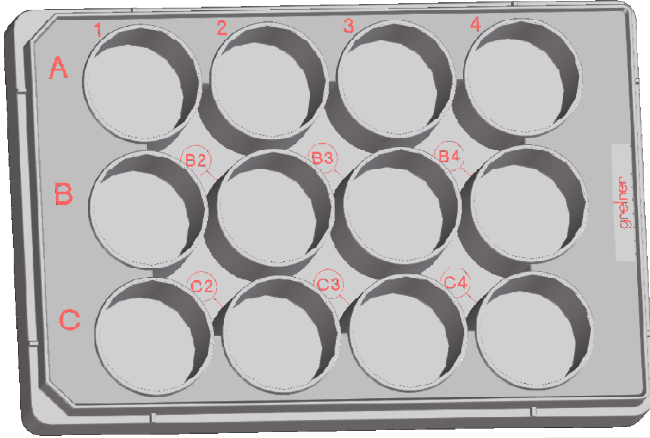
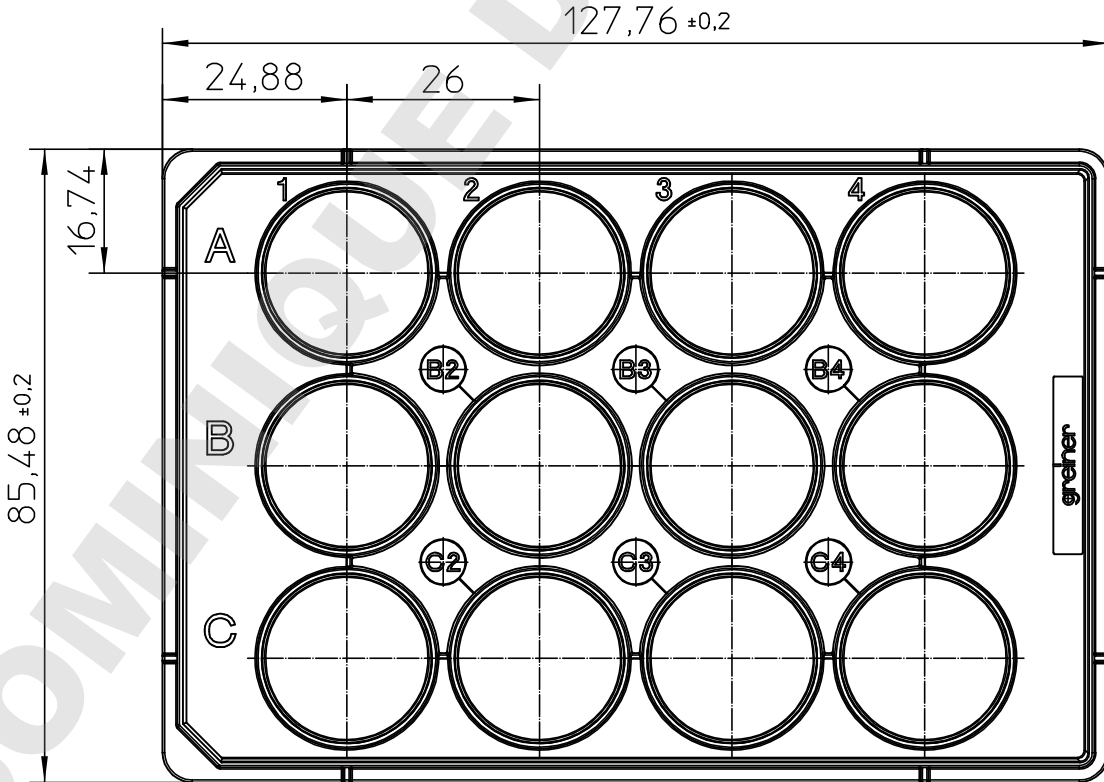


Valid for Item-No.: 665980



Curvature +0,2
-0,1

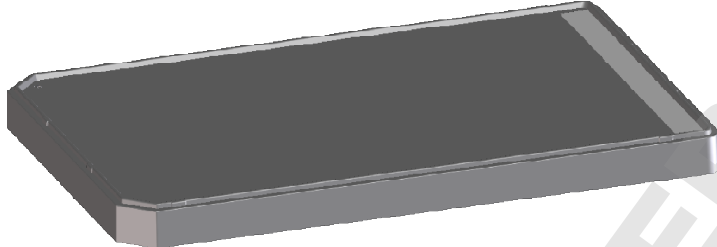


"All dimensions in mm"

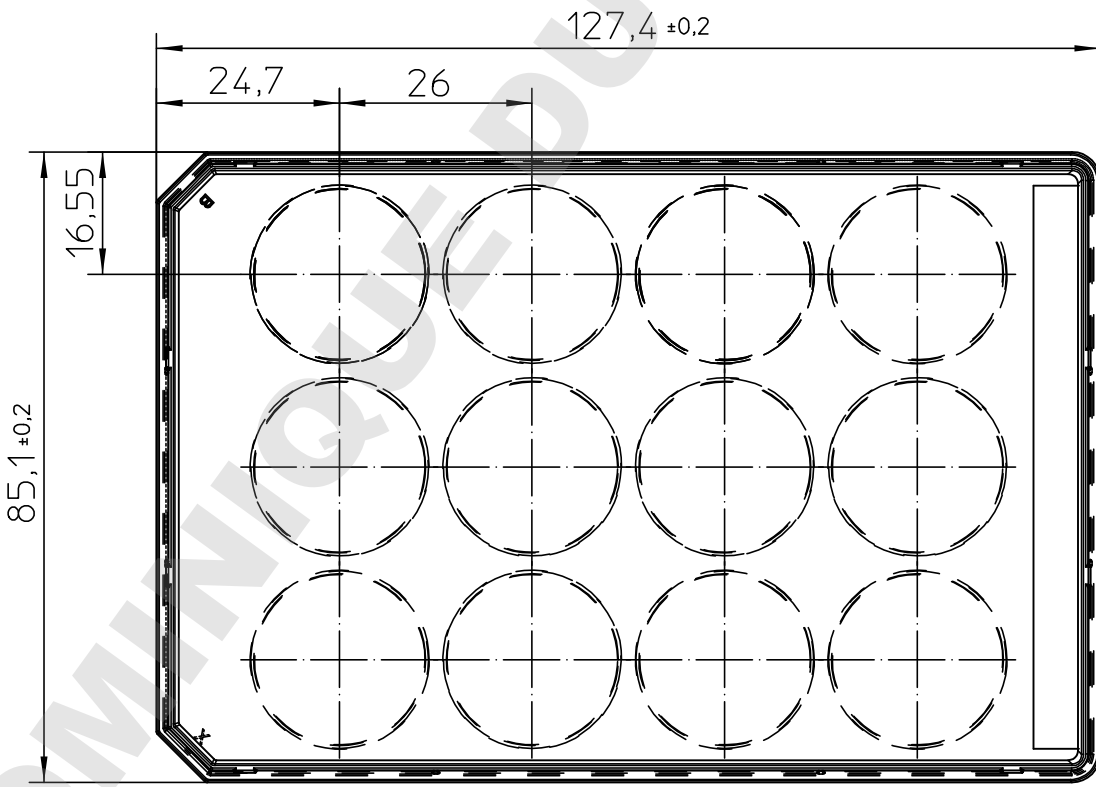
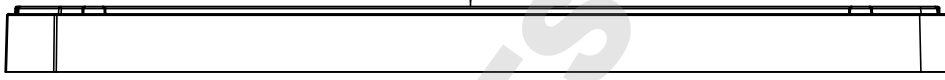
Customer drawing subject to change without notice!

Uncontrolled Copy

Prior Issue	Drawn	Approved	Released	CONFIDENTIAL: Information contained in this document or drawing is confidential and proprietary to Greiner Bio-One GmbH. This document may not be reproduced for any reason without written permission from Greiner Bio-One GmbH. All rights of design, invention, and copyright are reserved.
Revision 1	Date 2011/04/28	Date 2015/01/22	Date 2015/01/22	
Date 2011/04/28	Name forb	Name schwarzj	Name sonntag	



Curvature $+0,2$
 0



"All dimensions in mm"
 Customer drawing subject to change without notice!

Uncontrolled Copy

Prior Issue	Drawn	Approved	Released	CONFIDENTIAL: Information contained in this document or drawing is confidential and proprietary to Greiner Bio-One GmbH. This document may not be reproduced for any reason without written permission from Greiner Bio-One GmbH. All rights of design, invention, and copyright are reserved.
Revision 1	Date 2011/04/28	Date 2015/01/22	Date 2015/01/22	
Date 2011/04/28	Name forb	Name schwarzj	Name sonntag	