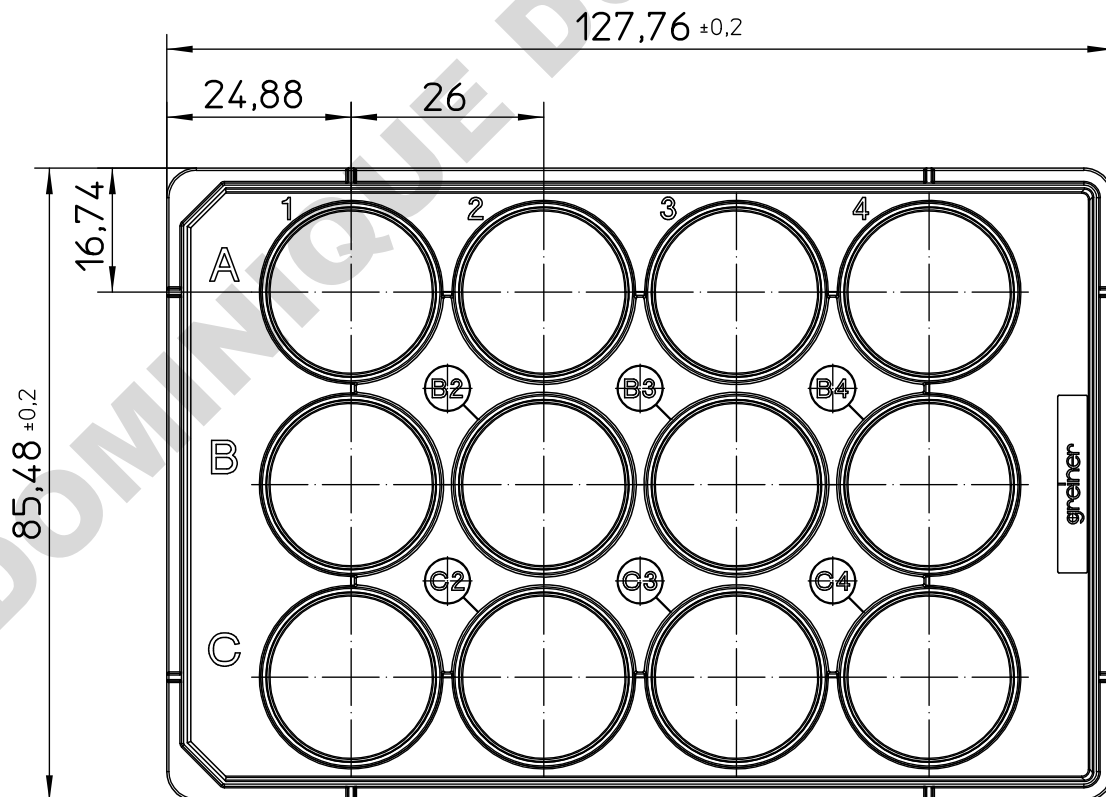


Curvature +0,2  
-0,1

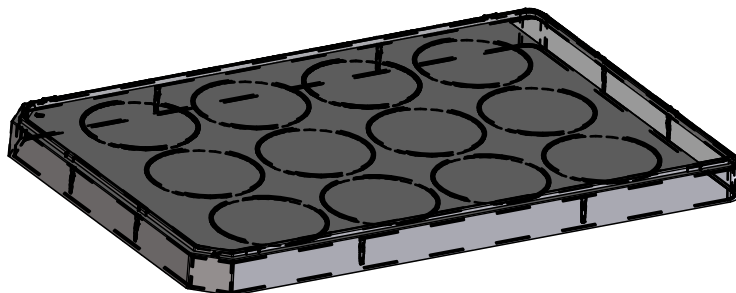


"All dimensions in mm"

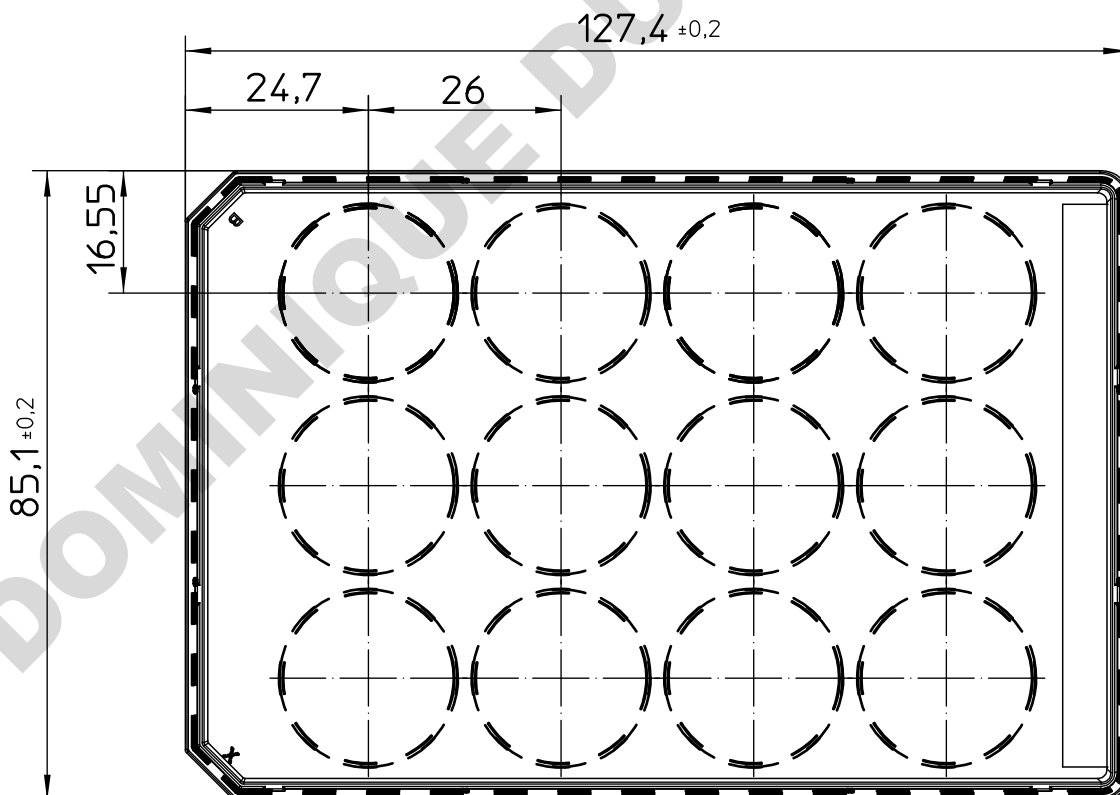
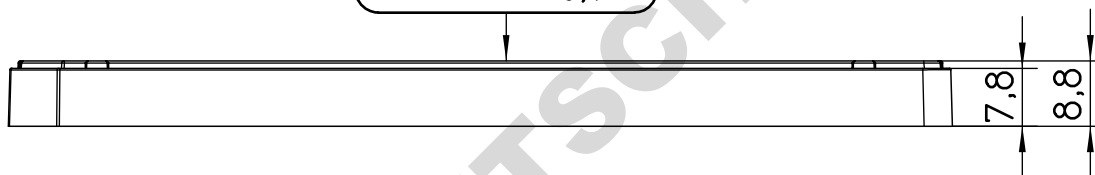
Customer drawing subject to change without notice!

Uncontrolled Copy

Prior Issue	Drawn	Approved	Released	CONFIDENTIAL: Information contained in this document or drawing is confidential and proprietary to Greiner Bio-One GmbH. This document may not be reproduced for any reason without written permission from Greiner Bio-One GmbH. All rights of design, invention, and copyright are reserved.
Revision	Date 2011/04/19	Date 2019/09/24	Date 2019/09/24	
Date	Name forb	Name forb	Name sonntag	



Curvature  $+0,3$   
 $-0,1$



"All dimensions in mm"

Customer drawing subject to change without notice!

Uncontrolled Copy

Prior Issue	Drawn	Approved	Released	CONFIDENTIAL: Information contained in this document or drawing is confidential and proprietary to Greiner Bio-One GmbH. This document may not be reproduced for any reason without written permission from Greiner Bio-One GmbH. All rights of design, invention, and copyright are reserved.
Revision	Date 2011/04/19	Date 2019/09/24	Date 2019/09/24	
Date	Name forb	Name forb	Name sonntag	