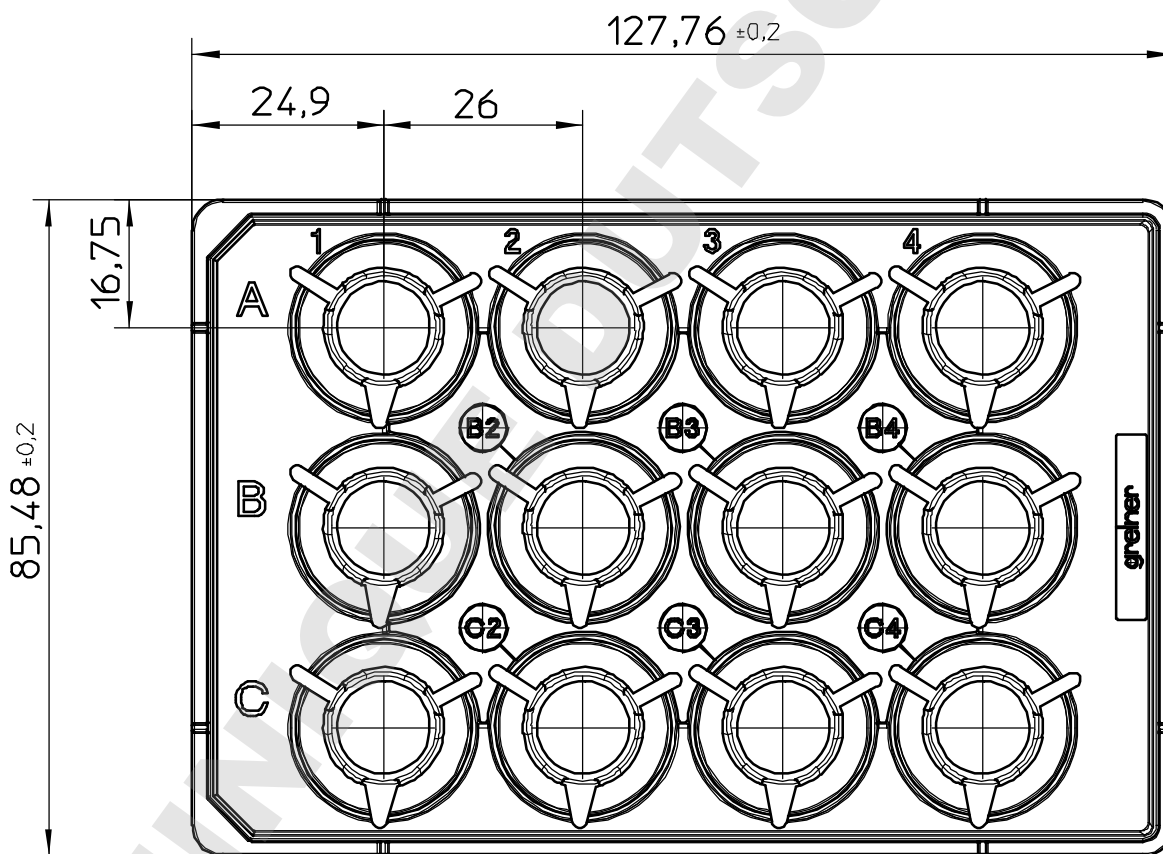
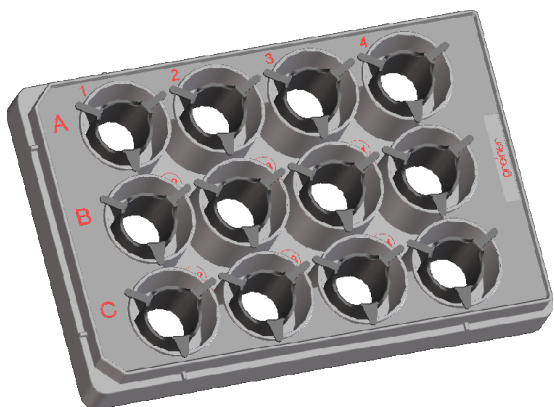




Valid for Item-No.: 665610, 665630, 665631, 665638, 665640, 665641



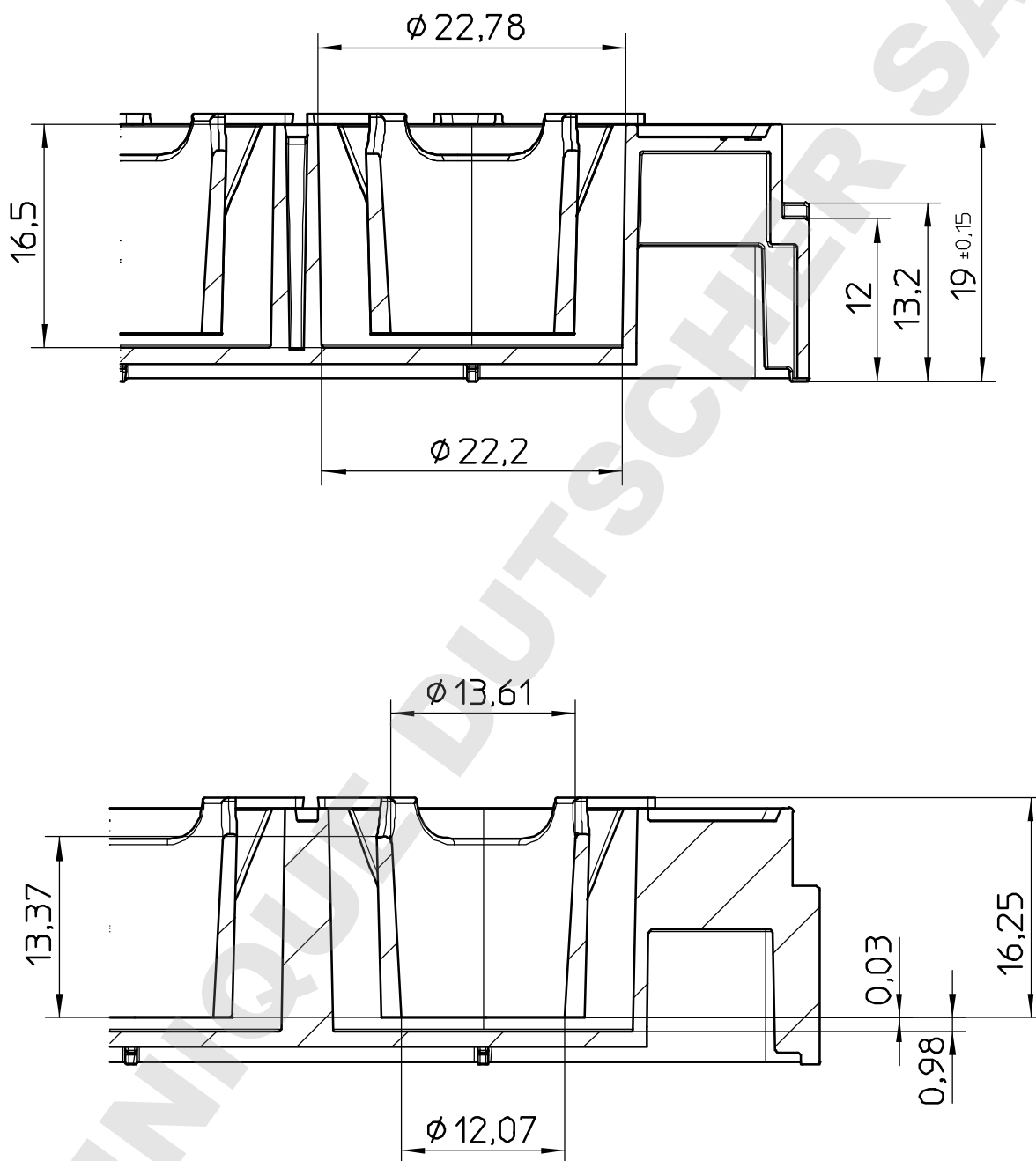
"All dimensions in mm"

Customer drawing subject to change without notice!

Uncontrolled Copy

Prior Issue	Drawn	Approved	Released	CONFIDENTIAL: Information contained in this document or drawing is confidential and property of Greiner Bio-One GmbH. This document may not be reproduced for any reason without written permission from Greiner Bio-One GmbH. All rights of design, invention, and copyright are reserved.
Revision 2	Date 2011/06/21	Date 2017/01/31	Date 2017/01/31	
Date 2015/05/04	Name forb	Name schwarzj	Name sonntag	

Valid for Item-No.: 665610, 665630, 665631, 665638, 665640, 665641



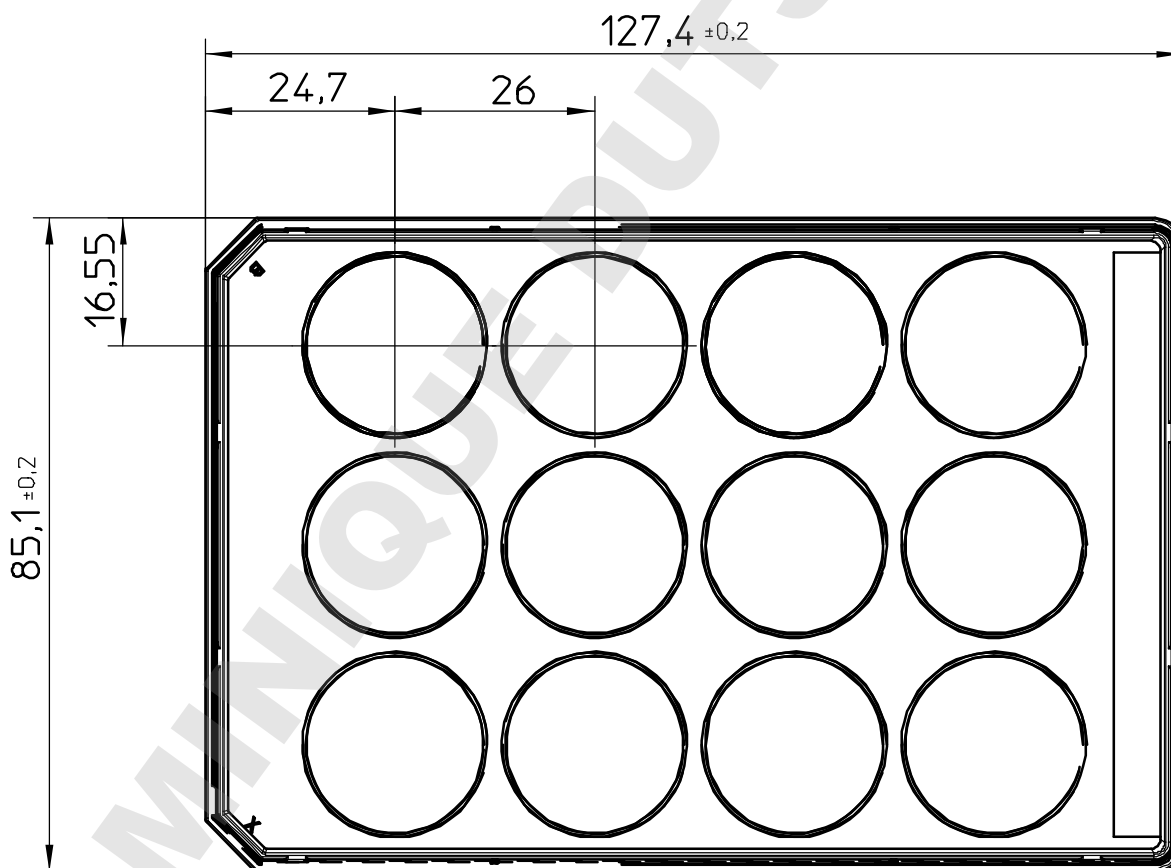
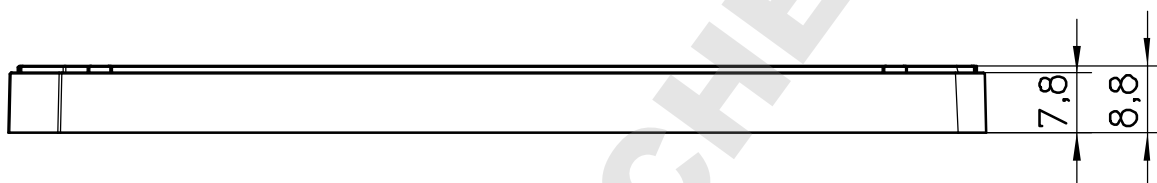
"All dimensions in mm"

Customer drawing subject to change without notice!

Uncontrolled Copy

Prior Issue	Drawn	Approved	Released	CONFIDENTIAL: Information contained in this document or drawing is confidential and property of Greiner Bio-One GmbH. This document may not be reproduced for any reason without written permission from Greiner Bio-One GmbH. All rights of design, invention, and copyright are reserved.
Revision 2	Date 2011/06/21	Date 2017/01/31	Date 2017/01/31	
Date 2015/05/04	Name forb	Name schwarzj	Name sonntag	

Valid for Item-No.: 665610, 665630, 665631, 665638, 665640, 665641



"All dimensions in mm"

Customer drawing subject to change without notice!

Uncontrolled Copy

Prior Issue	Drawn	Approved	Released	CONFIDENTIAL: Information contained in this document or drawing is confidential and property of Greiner Bio-One GmbH. This document may not be reproduced for any reason without written permission from Greiner Bio-One GmbH. All rights of design, invention, and copyright are reserved.
Revision 2	Date 2011/06/21	Date 2017/01/31	Date 2017/01/31	
Date 2015/05/04	Name forb	Name schwarzj	Name sonntag	