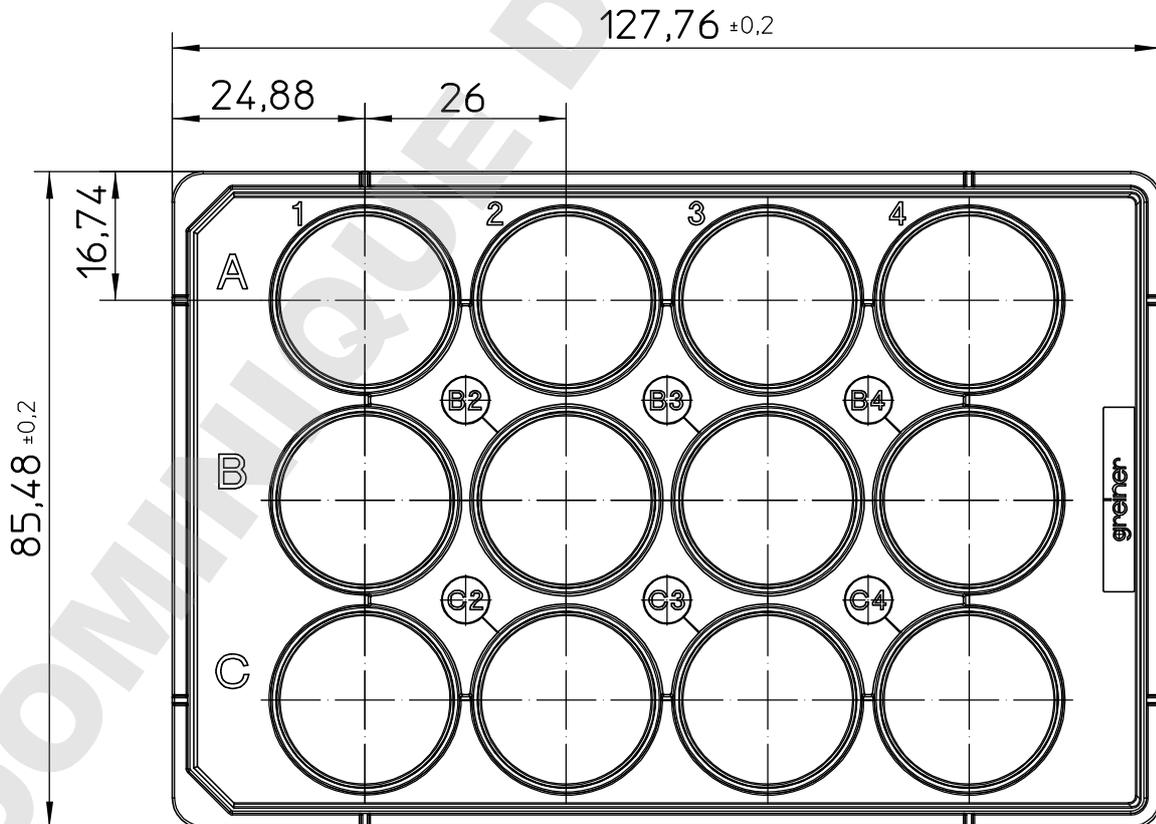
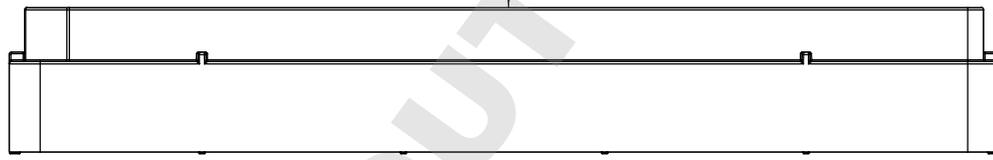


Curvature +0,2
-0,1



"All dimensions in mm"

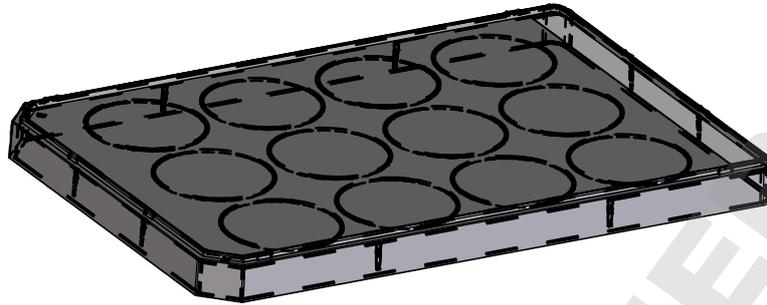
Customer drawing subject to change without notice!

Uncontrolled Copy

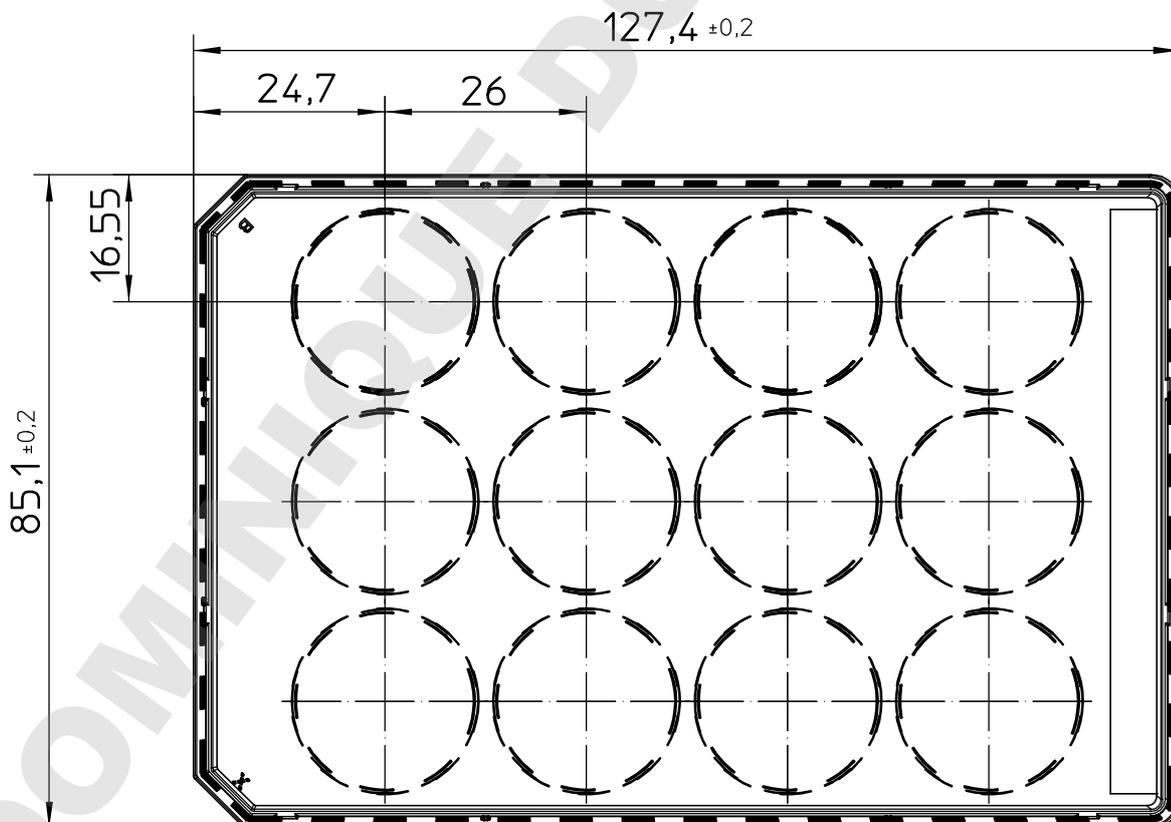
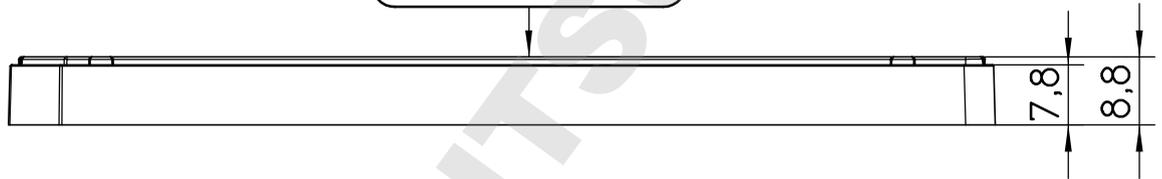
Prior Issue	Drawn	Approved	Released	CONFIDENTIAL: Information contained in this document or drawing is confidential and proprietary to Greiner Bio-One GmbH. This document may not be reproduced for any reason without written permission from Greiner Bio-One GmbH. All rights of design, invention, and copyright are reserved.
Revision 2	Date 2011/04/19	Date 2016/06/16	Date 2016/06/16	
Date 2014/12/10	Name forb	Name forb	Name sonntag	



Valid for Item-No.: 665102, 665180



Curvature +0,3
-0,1



"All dimensions in mm"

Customer drawing subject to change without notice!

Uncontrolled Copy

Prior Issue	Drawn	Approved	Released	CONFIDENTIAL: Information contained in this document or drawing is confidential and proprietary to Greiner Bio-One GmbH. This document may not be reproduced for any reason without written permission from Greiner Bio-One GmbH. All rights of design, invention, and copyright are reserved.
Revision 2	Date 2011/04/19	Date 2016/06/16	Date 2016/06/16	
Date 2014/12/10	Name forb	Name forb	Name sonntag	