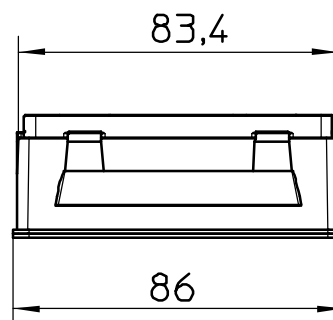
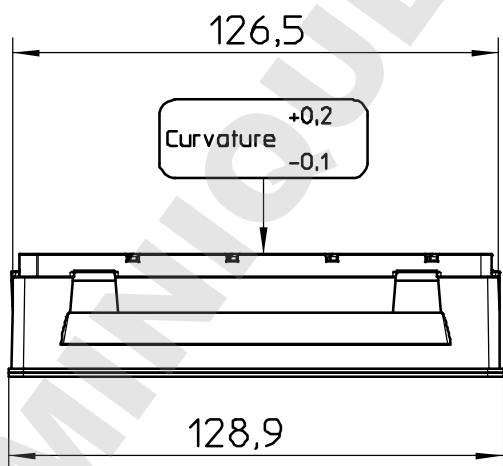
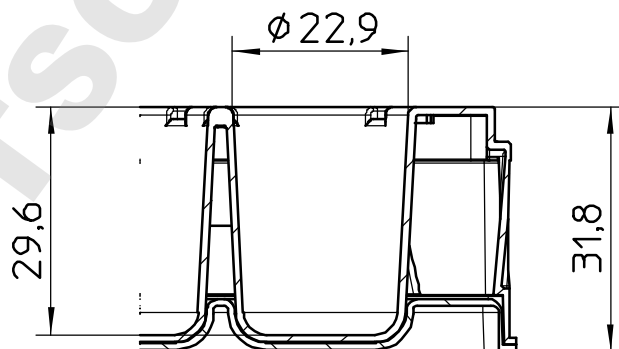
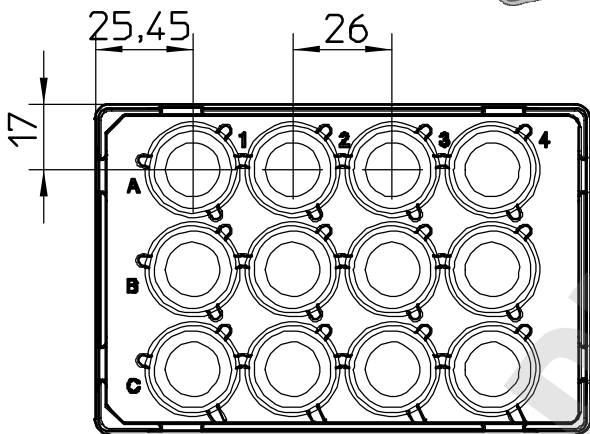
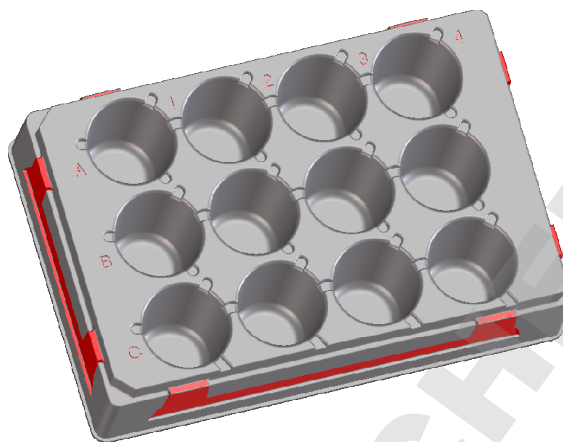




Valid for Item-No.: 665110



"All dimensions in mm"

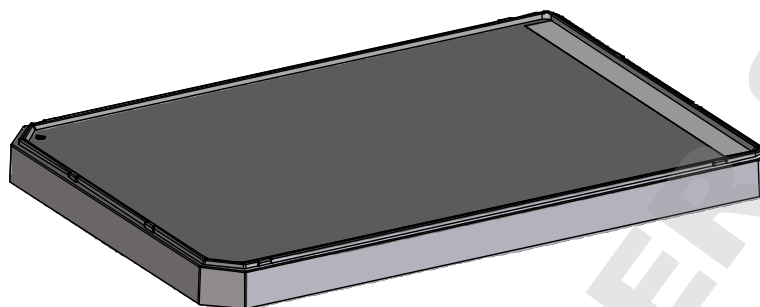
Customer drawing subject to change without notice!

Uncontrolled Copy

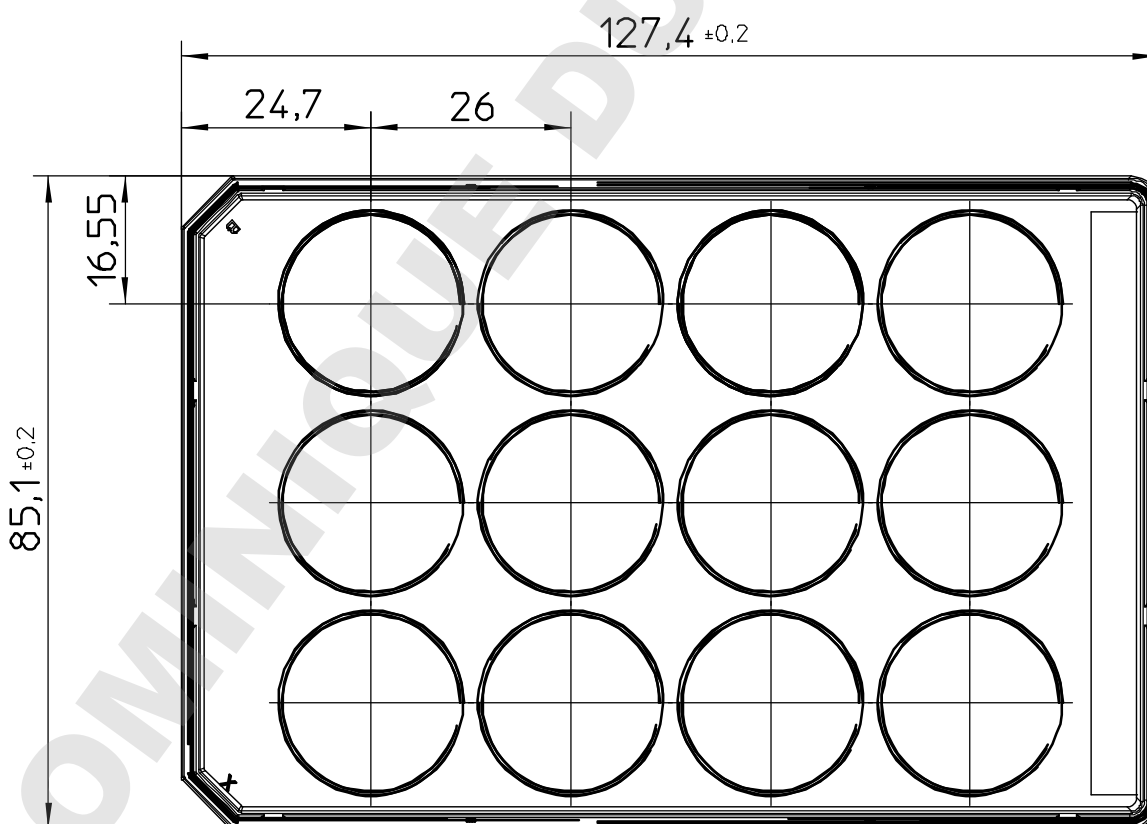
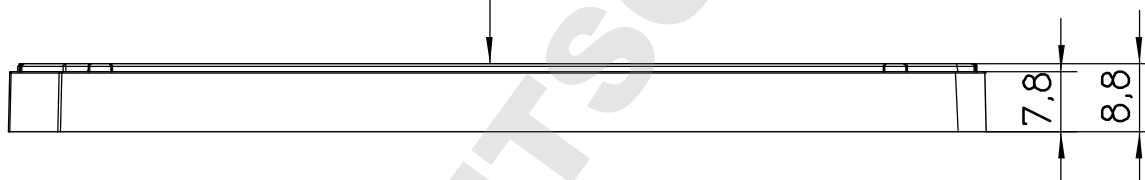
Prior Issue	Drawn	Approved	Released	CONFIDENTIAL: Information contained in this document or drawing is confidential and property of Greiner Bio-One GmbH. This document may not be reproduced for any reason without written permission from Greiner Bio-One GmbH. All rights of design, invention, and copyright are reserved.
Revision 2	Date 2011/04/28	Date 2017/04/18	Date 2017/04/18	
Date 2015/01/22	Name forb	Name schwarzj	Name sonntag	



Valid for Item-No.: 665110



Curvature $+0,2$
0



"All dimensions in mm"

Customer drawing subject to change without notice!

Uncontrolled Copy

Prior Issue	Drawn	Approved	Released	CONFIDENTIAL: Information contained in this document or drawing is confidential and property of Greiner Bio-One GmbH. This document may not be reproduced for any reason without written permission from Greiner Bio-One GmbH. All rights of design, invention, and copyright are reserved.
Revision 2	Date 2011/04/28	Date 2017/04/18	Date 2017/04/18	
Date 2015/01/22	Name forb	Name schwarzj	Name sonntag	