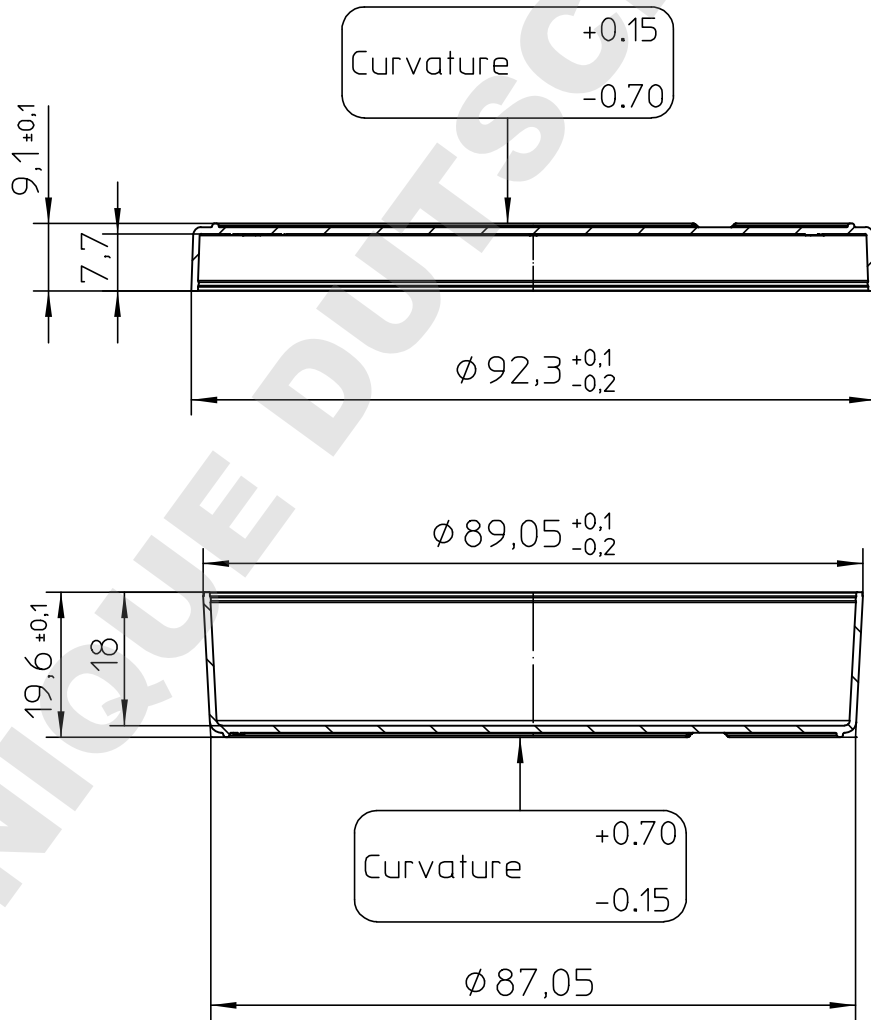
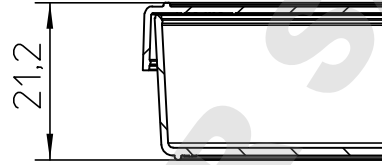


Valid for Item-No.: 664970



"All dimensions in mm"

Customer drawing subject to change without notice!

Uncontrolled Copy

| Prior Issue | Drawn | Approved | Released | CONFIDENTIAL: Information contained in this document or drawing is confidential and proprietary to Greiner Bio-One GmbH. This document may not be reproduced for any reason without written permission from Greiner Bio-One GmbH. All rights of design, invention, and copyright are reserved. |
|-------------|--------------------|--------------------|--------------------|--|
| Revision | Date 2015/04/02 | Date 2015/04/02 | Date 2015/04/02 | |
| Date | Name forb | Name forb | Name sonntag | |