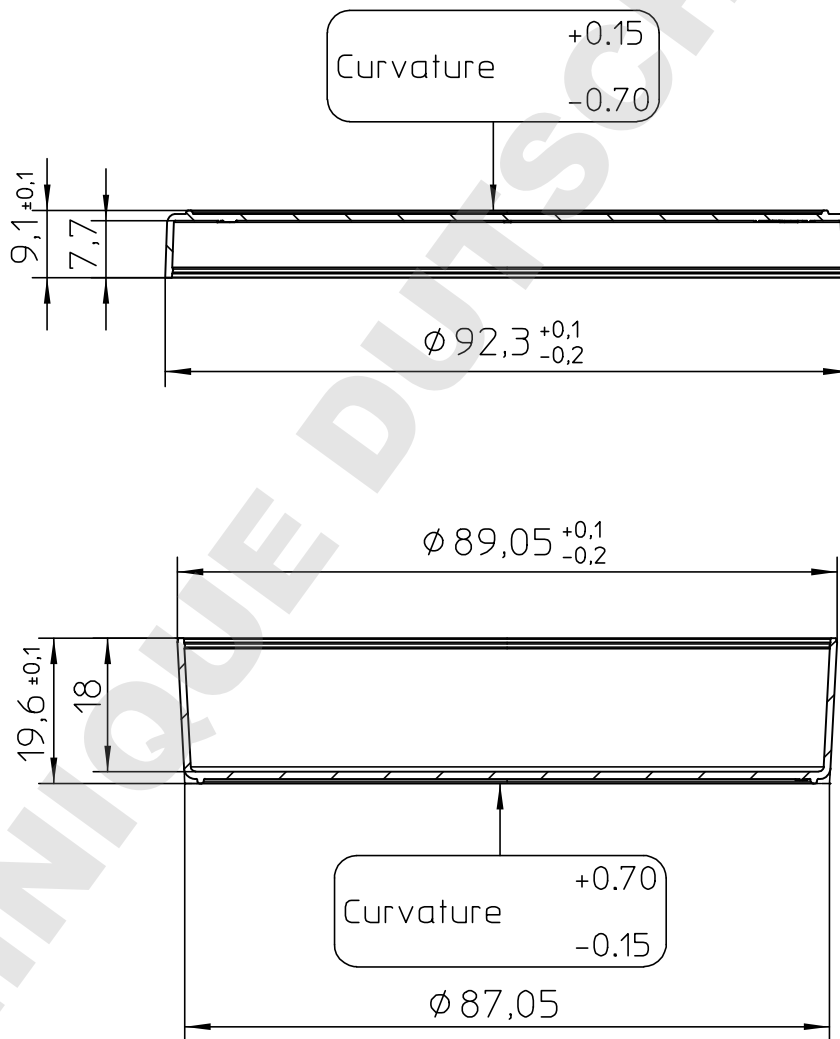
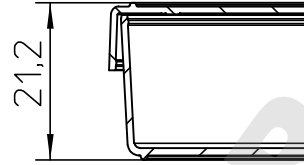
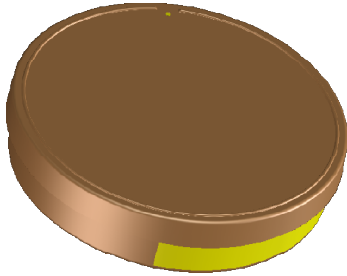


Valid for Item-No.: 664960



"All dimensions in mm"

Customer drawing subject to change without notice!

Uncontrolled Copy

Prior Issue	Drawn	Approved	Released	CONFIDENTIAL: Information contained in this document or drawing is confidential and proprietary to Greiner Bio-One GmbH. This document may not be reproduced for any reason without written permission from Greiner Bio-One GmbH. All rights of design, invention, and copyright are reserved.
Revision 2	Date 2011/03/07	Date 2015/04/02	Date 2015/04/02	
Date 2012/12/12	Name forb	Name forb	Name sonntag	