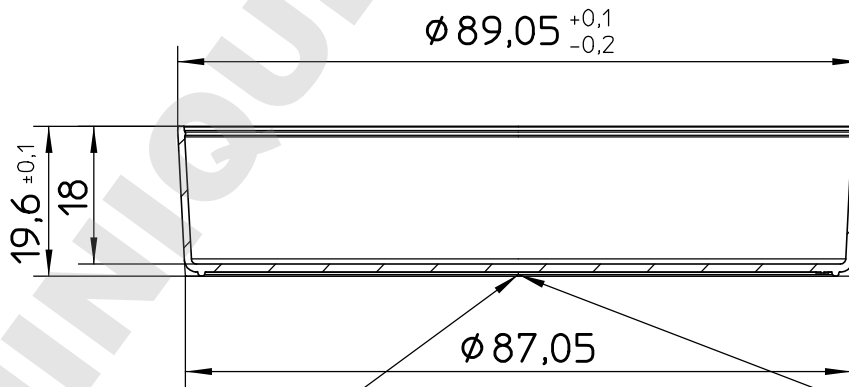
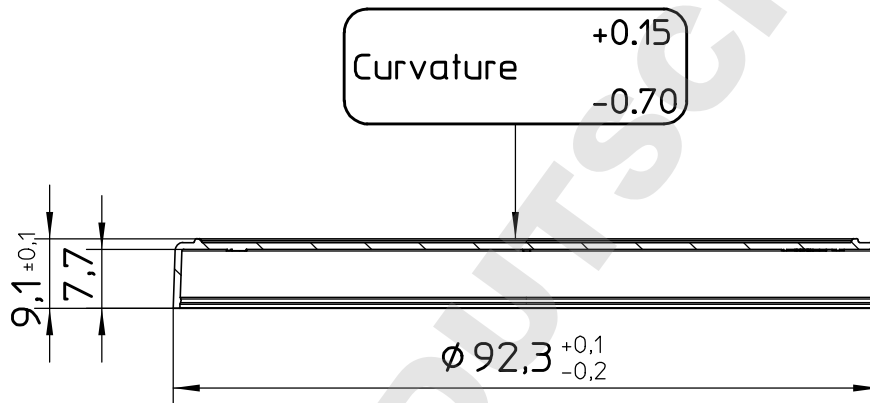
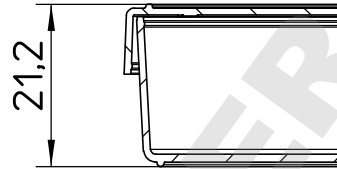


Valid for Item-No.: 664102, 664160, 664160-TRI, 664161



Curvature +0.70
-0.15
Item-No.: 664102

Curvature +0.50
-0.15
Item-No.: 664160, 664161

"All dimensions in mm"

Customer drawing subject to change without notice!

Uncontrolled Copy

Prior Issue	Drawn	Approved	Released	CONFIDENTIAL: Information contained in this document or drawing is confidential and proprietary to Greiner Bio-One GmbH. This document may not be reproduced for any reason without written permission from Greiner Bio-One GmbH. All rights of design, invention, and copyright are reserved.
Revision	Date	Date	Date	
4	2011/03/07	2015/09/01	2015/09/01	
Date	Name	Name	Name	
2015/04/09	forb	schwarzj	sonntag	