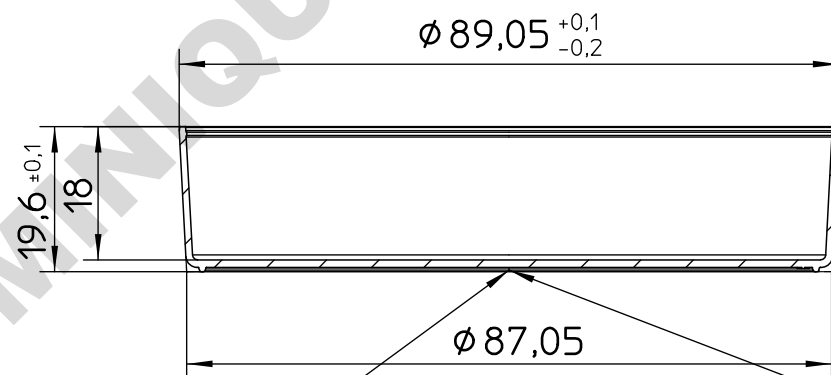
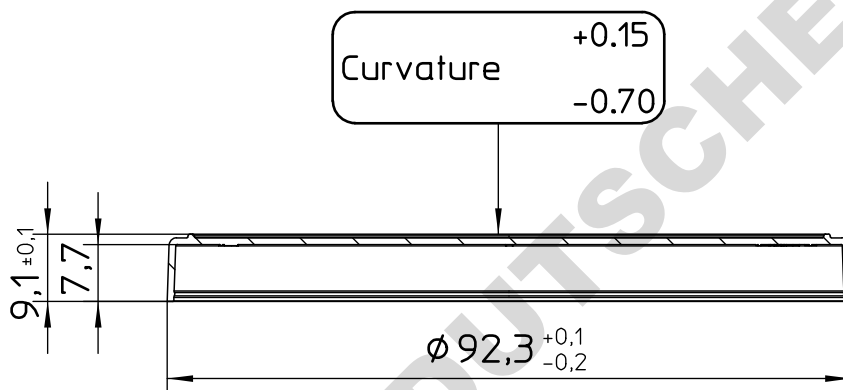
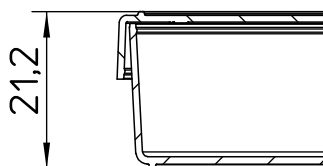


Valid for Item-No.: 664102, 664160, 664160-TRI, 664161



"All dimensions in mm"

Customer drawing subject to change without notice!

Uncontrolled Copy

Prior Issue	Drawn	Approved	Released	CONFIDENTIAL: Information contained in this document or drawing is confidential and proprietary to Greiner Bio-One GmbH. This document may not be reproduced for any reason without written permission from Greiner Bio-One GmbH. All rights of design, invention, and copyright are reserved.
Revision 4	Date 2011/03/07	Date 2015/09/01	Date 2015/09/01	
Date 2015/04/09	Name forb	Name schwarzj	Name sonntag	