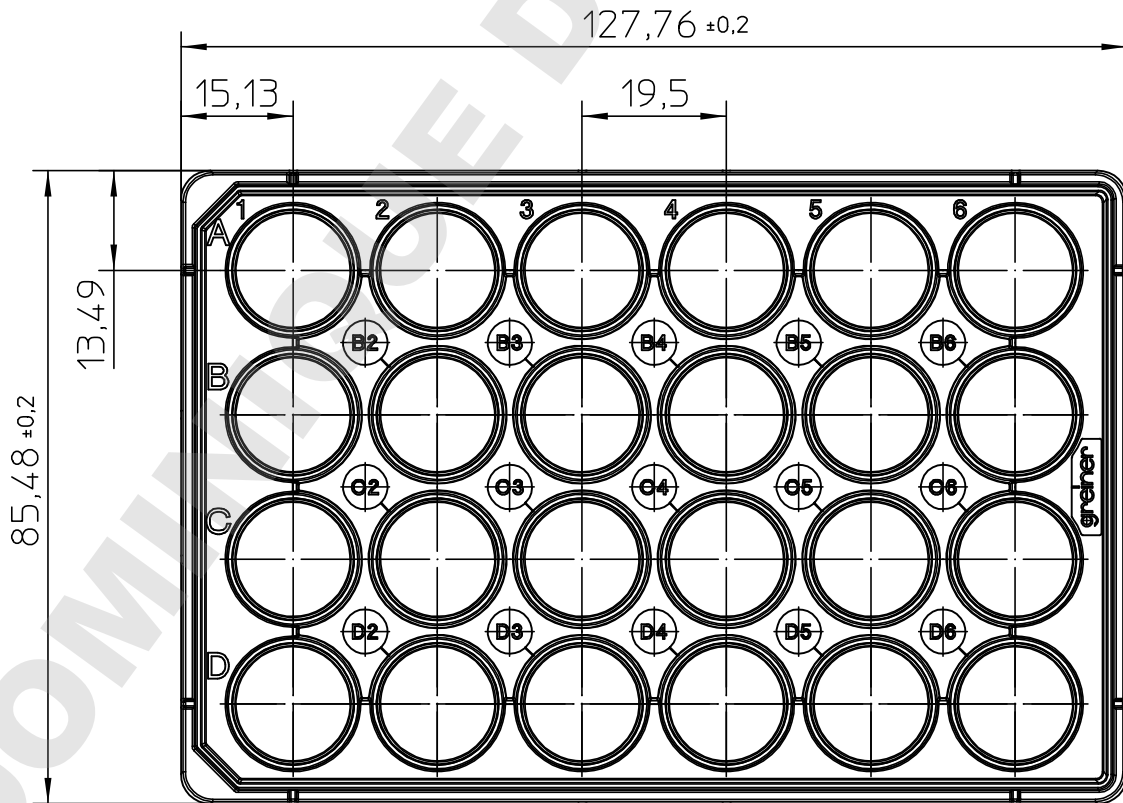


Curvature +0,2
-0,1

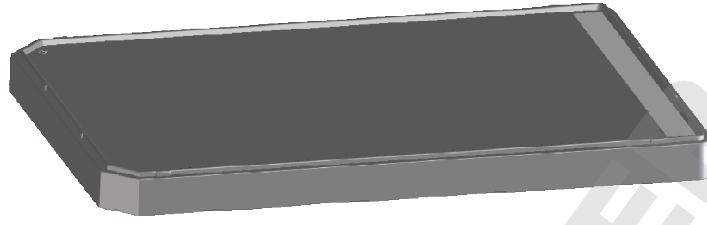


"All dimensions in mm"

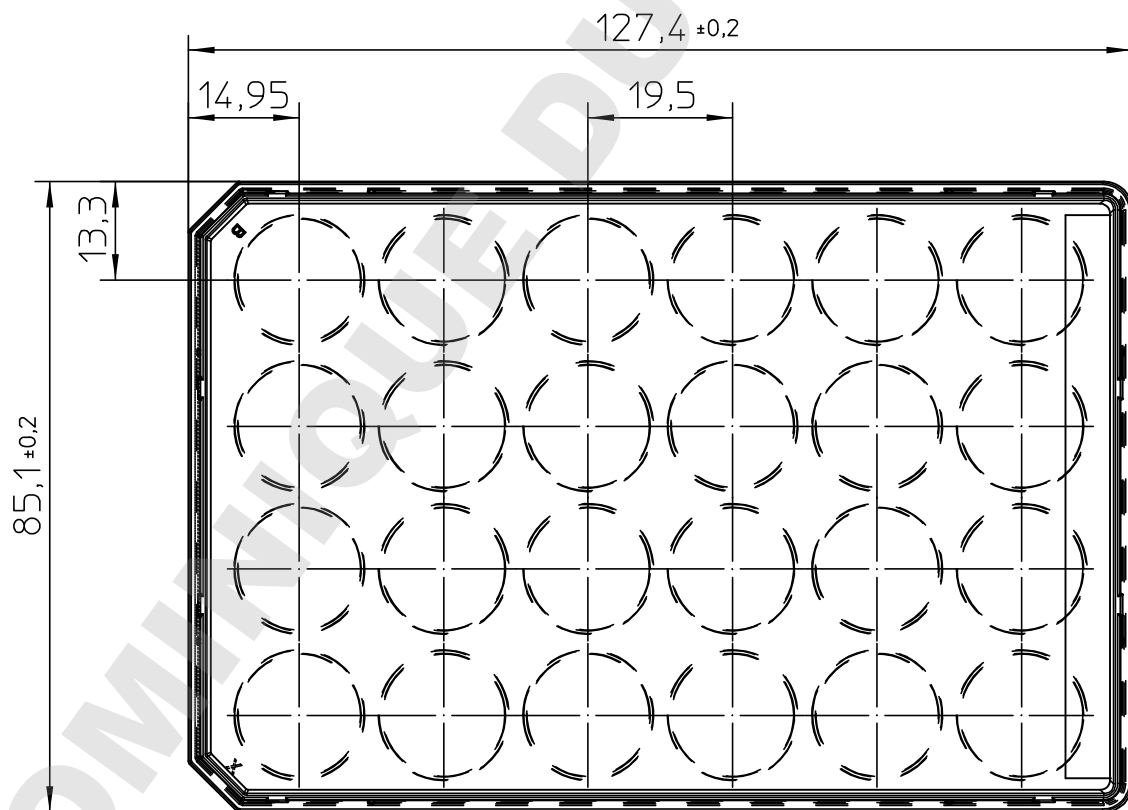
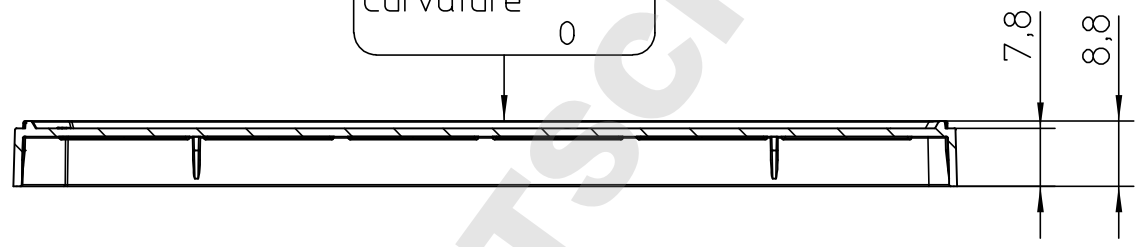
Customer drawing subject to change without notice!

Uncontrolled Copy

Prior Issue	Drawn	Approved	Released	CONFIDENTIAL: Information contained in this document or drawing is confidential and proprietary to Greiner Bio-One GmbH. This document may not be reproduced for any reason without written permission from Greiner Bio-One GmbH. All rights of design, invention, and copyright are reserved.
Revision 1	Date 2014/02/19	Date 2015/02/12	Date 2015/02/12	
Date 2014/02/28	Name schwarzj	Name schwarzj	Name sonntag	



Curvature $+0,2$
0



"All dimensions in mm"

Customer drawing subject to change without notice!

Uncontrolled Copy

Prior Issue	Drawn	Approved	Released	<small>CONFIDENTIAL: Information contained in this document or drawing is confidential and proprietary to Greiner Bio-One GmbH. This document may not be reproduced for any reason without written permission from Greiner Bio-One GmbH. All rights of design, invention, and copyright are reserved.</small>
Revision 1	Date 2014/02/19	Date 2015/02/12	Date 2015/02/12	
Date 2014/02/28	Name schwarzj	Name schwarzj	Name sonntag	