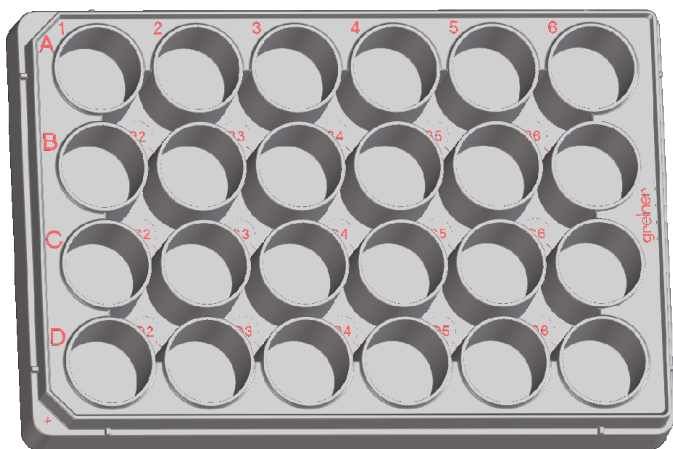
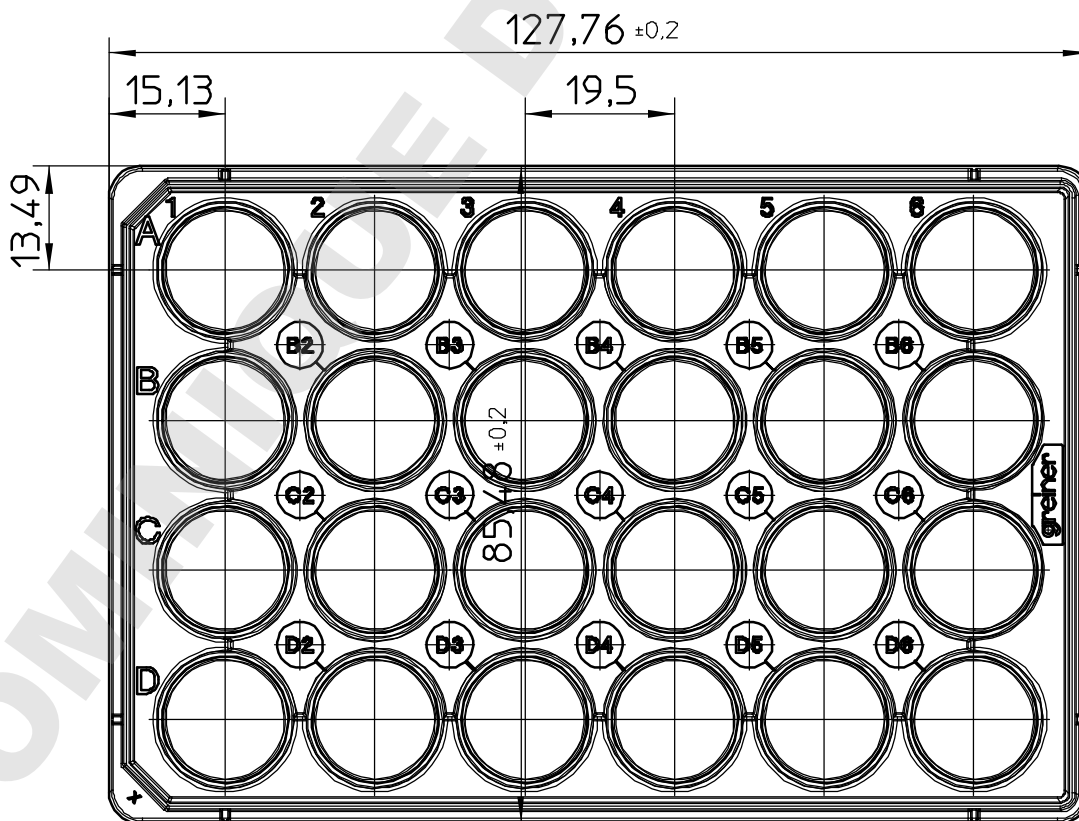




Valid for Item-No.: 662610, 662630, 662631, 662638, 662640, 662641



Curvature max.0,2



"All dimensions in mm"

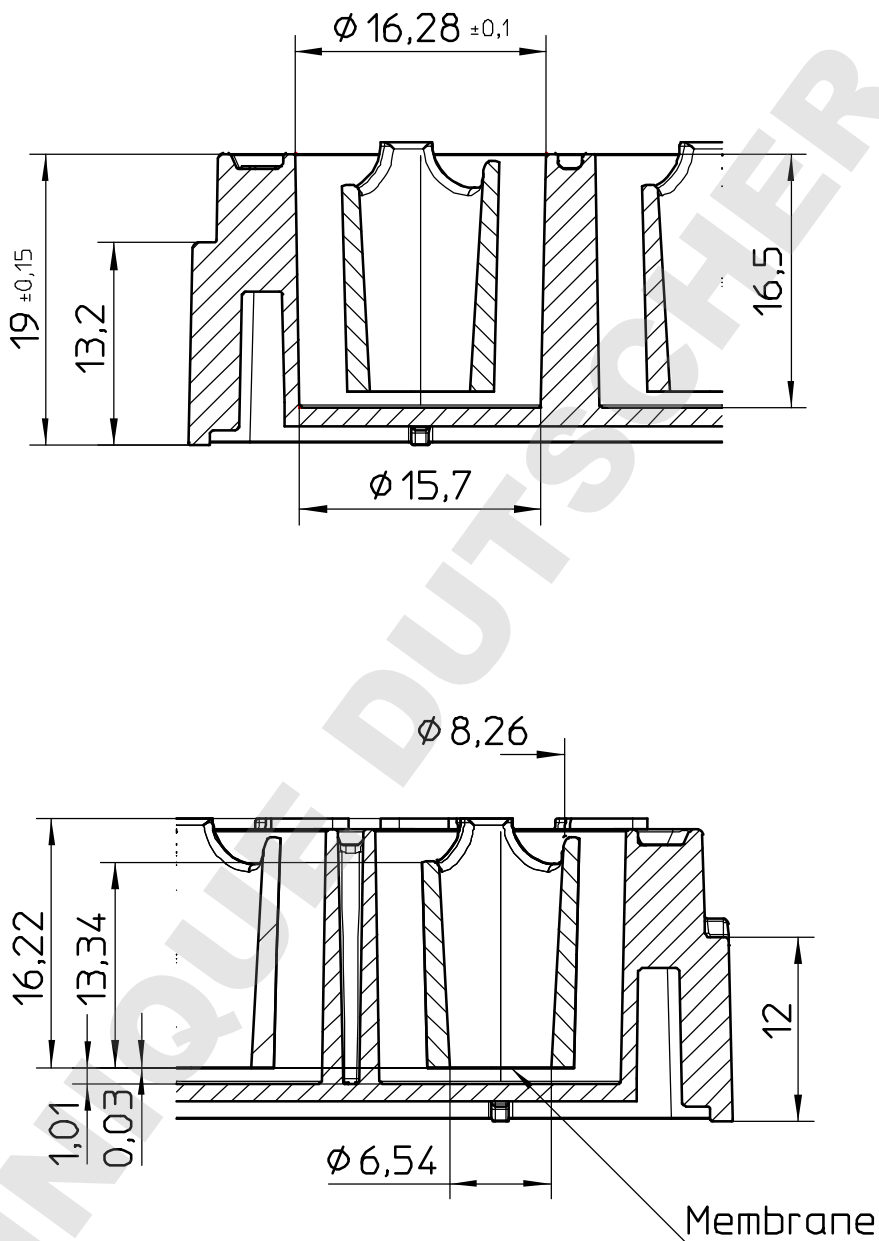
Customer drawing subject to change without notice!

Uncontrolled Copy

| Prior Issue | Drawn | Approved | Released | CONFIDENTIAL: Information contained in this document or drawing is confidential and property of Greiner Bio-One GmbH. This document may not be reproduced for any reason without written permission from Greiner Bio-One GmbH. All rights of design, invention, and copyright are reserved. |
|-------------|------------|------------|------------|---|
| Revision | Date | Date | Date | |
| 3 | 2011/08/09 | 2016/08/24 | 2016/08/25 | |
| Date | Name | Name | Name | |
| 2016/06/30 | forb | forb | sonntag | |



Valid for Item-No.: 662610, 662630, 662631, 662638, 662640, 662641



"All dimensions in mm"

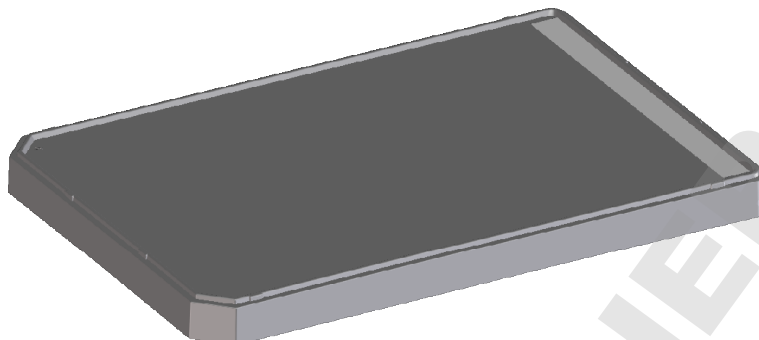
Customer drawing subject to change without notice!

Uncontrolled Copy

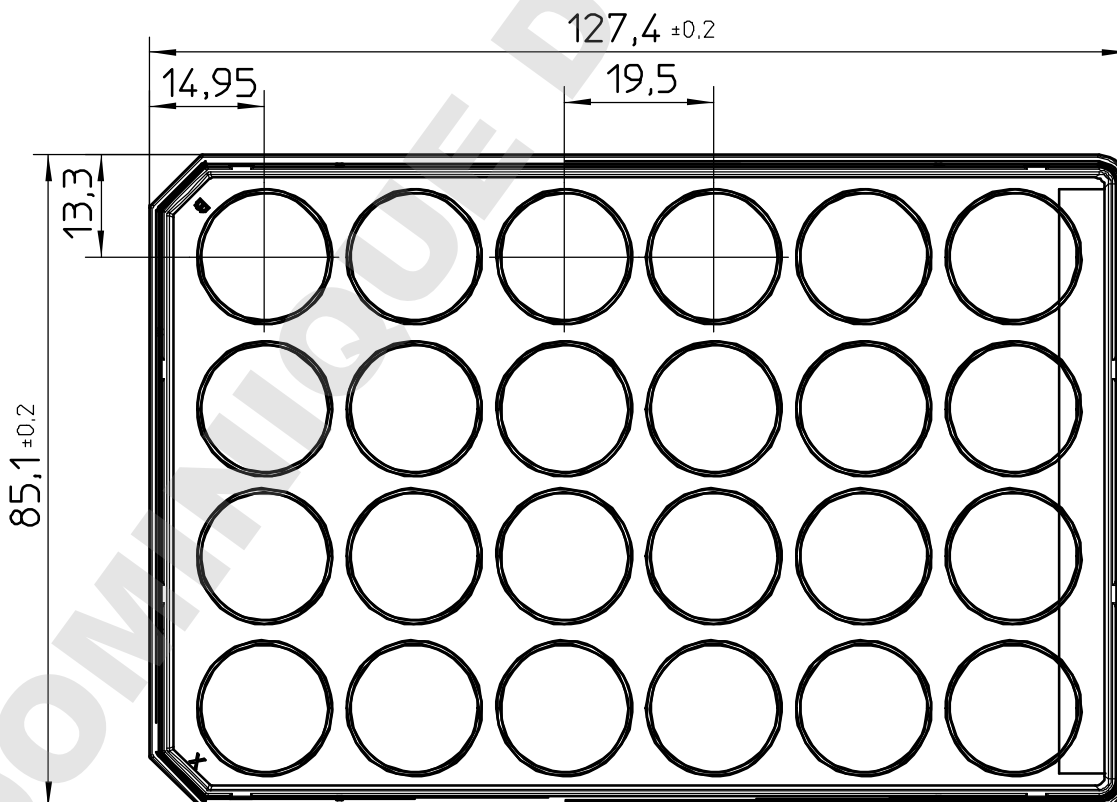
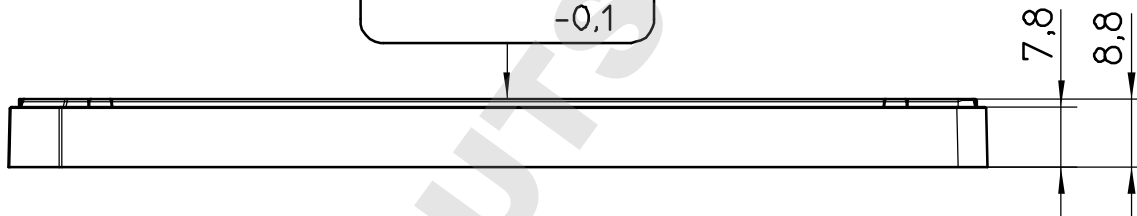
| Prior Issue | Drawn | Approved | Released | CONFIDENTIAL: Information contained in this document or drawing is confidential and property of Greiner Bio-One GmbH. This document may not be reproduced for any reason without written permission from Greiner Bio-One GmbH. All rights of design, invention, and copyright are reserved. |
|--------------------|--------------------|--------------------|--------------------|---|
| Revision 3 | Date 2011/08/09 | Date 2016/08/24 | Date 2016/08/25 | |
| Date 2016/06/30 | Name forb | Name forb | Name sonntag | |



Valid for Item-No.: 662610, 662630, 662631, 662638, 662640, 662641



Curvature $+0,3$
 $-0,1$



*All dimensions in mm"

Customer drawing subject to change without notice!

Uncontrolled Copy

| Prior Issue | Drawn | Approved | Released | CONFIDENTIAL: Information contained in this document or drawing is confidential and property of Greiner Bio-One GmbH. This document may not be reproduced for any reason without written permission from Greiner Bio-One GmbH. All rights of design, invention, and copyright are reserved. |
|--------------------|--------------------|--------------------|--------------------|---|
| Revision 3 | Date 2011/08/09 | Date 2016/08/24 | Date 2016/08/25 | |
| Date 2016/06/30 | Name forb | Name forb | Name sonntag | |