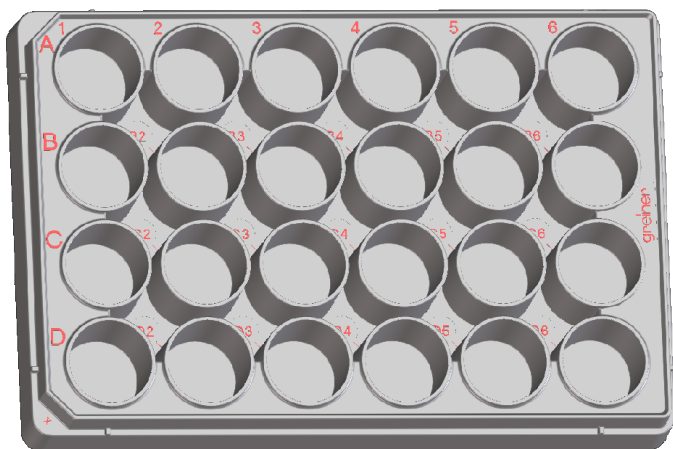
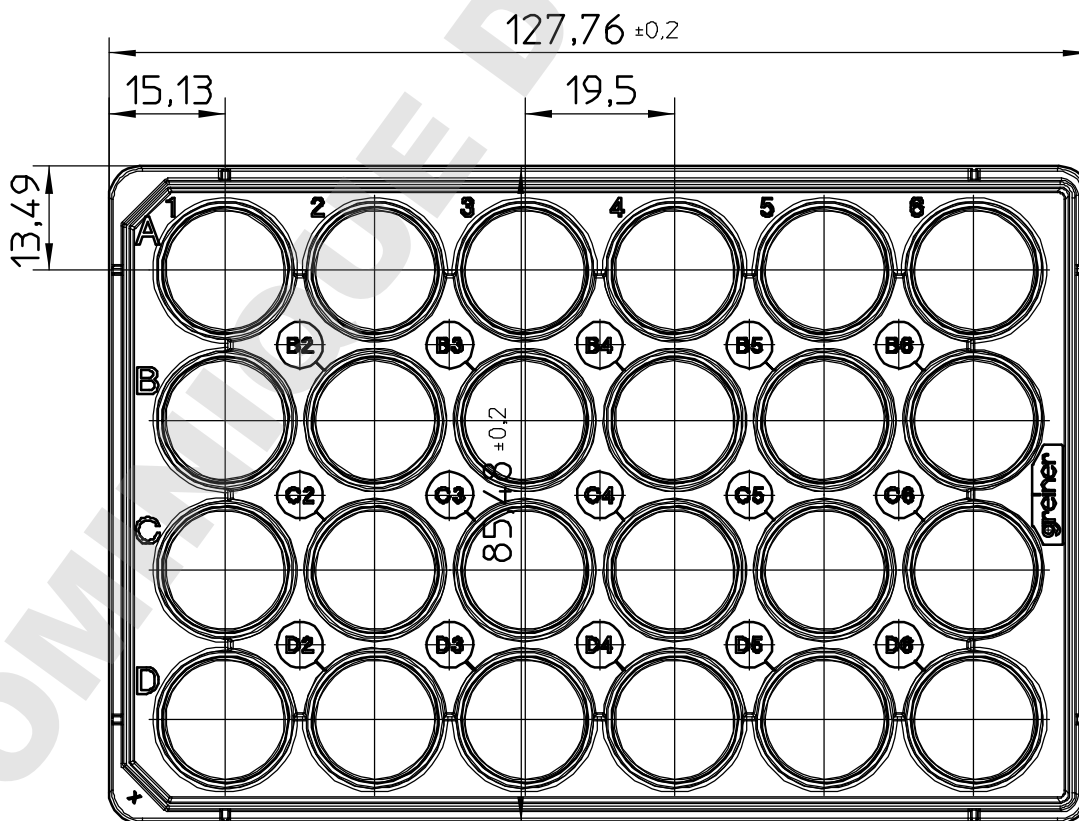




Valid for Item-No.: 662610, 662630, 662631, 662638, 662640, 662641



Curvature max.0,2



"All dimensions in mm"

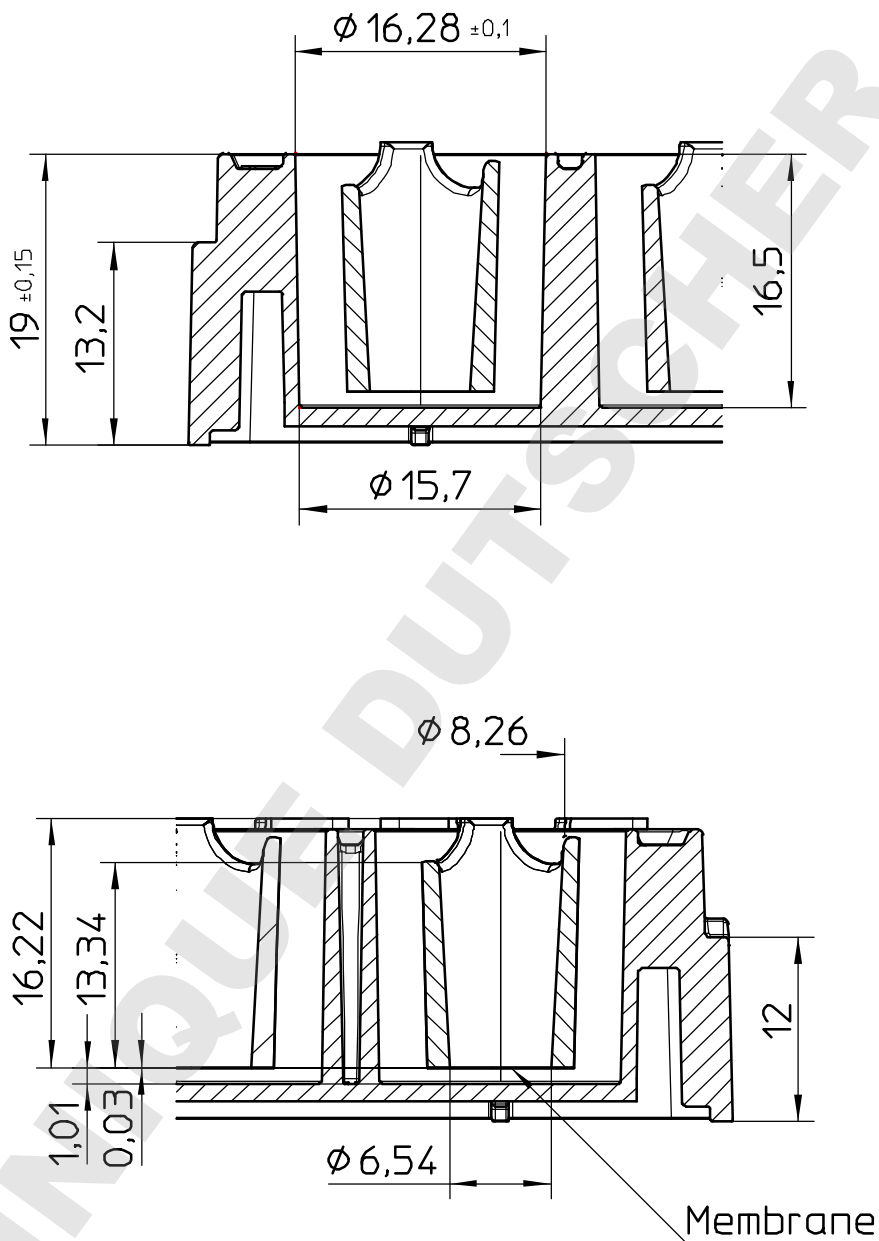
Customer drawing subject to change without notice!

Uncontrolled Copy

Prior Issue	Drawn	Approved	Released	CONFIDENTIAL: Information contained in this document or drawing is confidential and property of Greiner Bio-One GmbH. This document may not be reproduced for any reason without written permission from Greiner Bio-One GmbH. All rights of design, invention, and copyright are reserved.
Revision 3	Date 2011/08/09	Date 2016/08/24	Date 2016/08/25	
Date 2016/06/30	Name forb	Name forb	Name sonntag	



Valid for Item-No.: 662610, 662630, 662631, 662638, 662640, 662641



"All dimensions in mm"

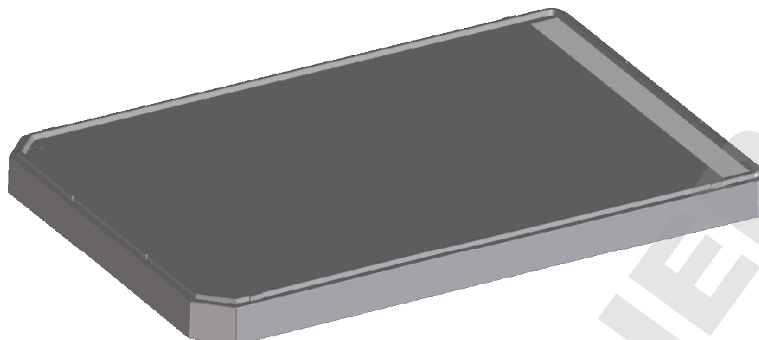
Customer drawing subject to change without notice!

Uncontrolled Copy

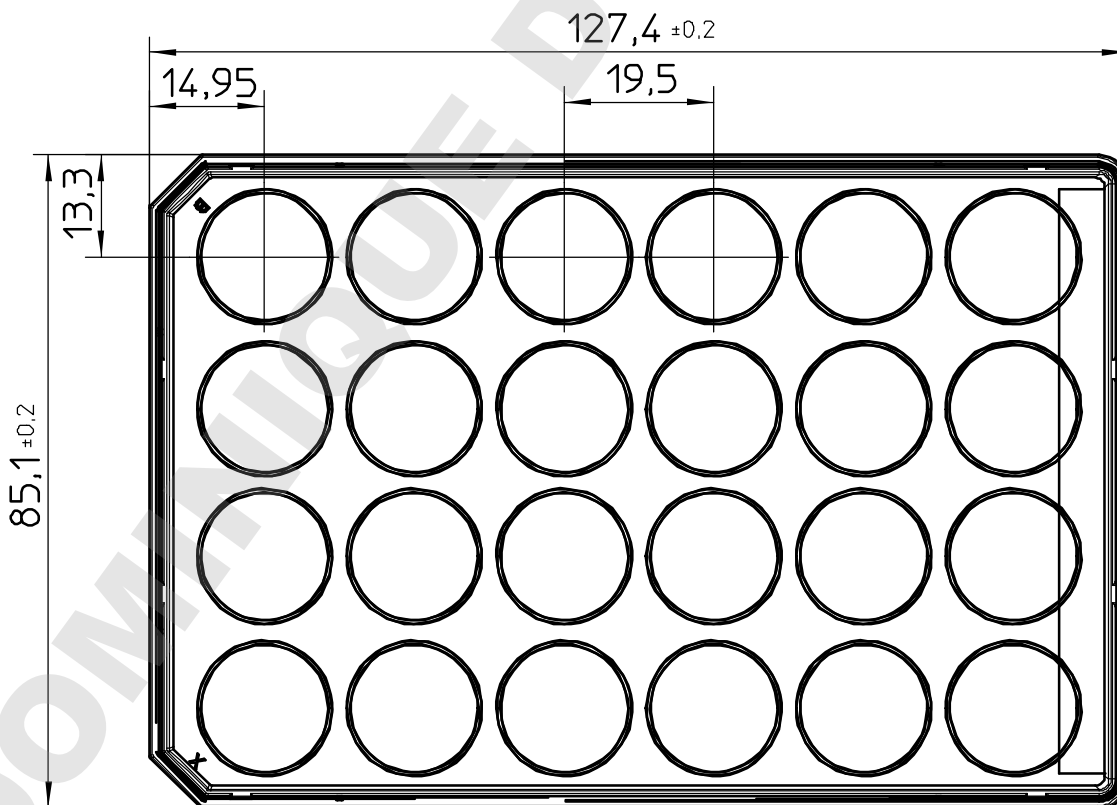
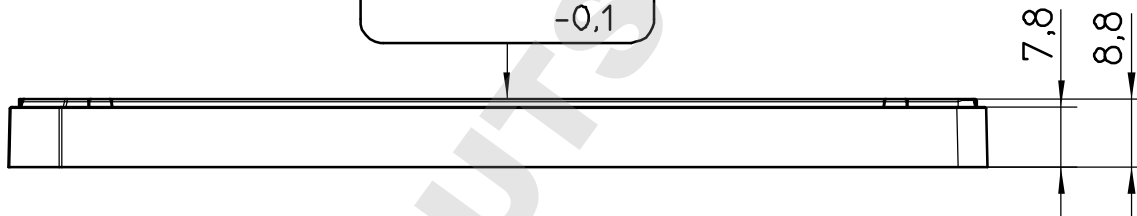
Prior Issue	Drawn	Approved	Released	CONFIDENTIAL: Information contained in this document or drawing is confidential and property of Greiner Bio-One GmbH. This document may not be reproduced for any reason without written permission from Greiner Bio-One GmbH. All rights of design, invention, and copyright are reserved.
Revision	Date	Date	Date	
3	2011/08/09	2016/08/24	2016/08/25	
Date	Name	Name	Name	
2016/06/30	forb	forb	sonntag	



Valid for Item-No.: 662610, 662630, 662631, 662638, 662640, 662641



Curvature +0,3
-0,1



*All dimensions in mm"

Customer drawing subject to change without notice!

Uncontrolled Copy

Prior Issue	Drawn	Approved	Released	CONFIDENTIAL: Information contained in this document or drawing is confidential and property of Greiner Bio-One GmbH. This document may not be reproduced for any reason without written permission from Greiner Bio-One GmbH. All rights of design, invention, and copyright are reserved.
Revision 3	Date 2011/08/09	Date 2016/08/24	Date 2016/08/25	
Date 2016/06/30	Name forb	Name forb	Name sonntag	