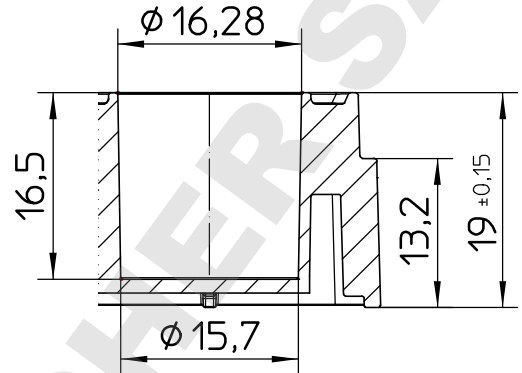
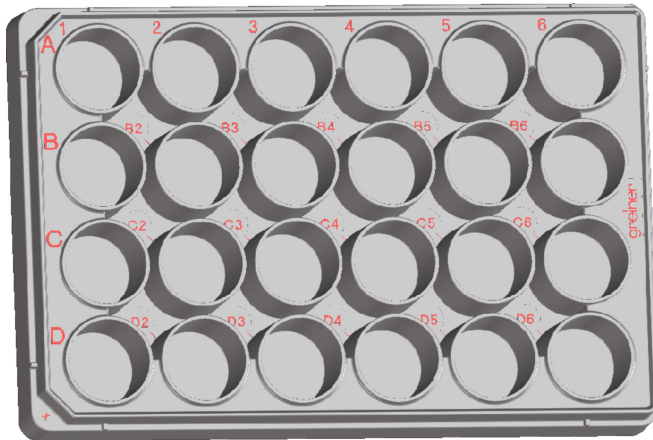
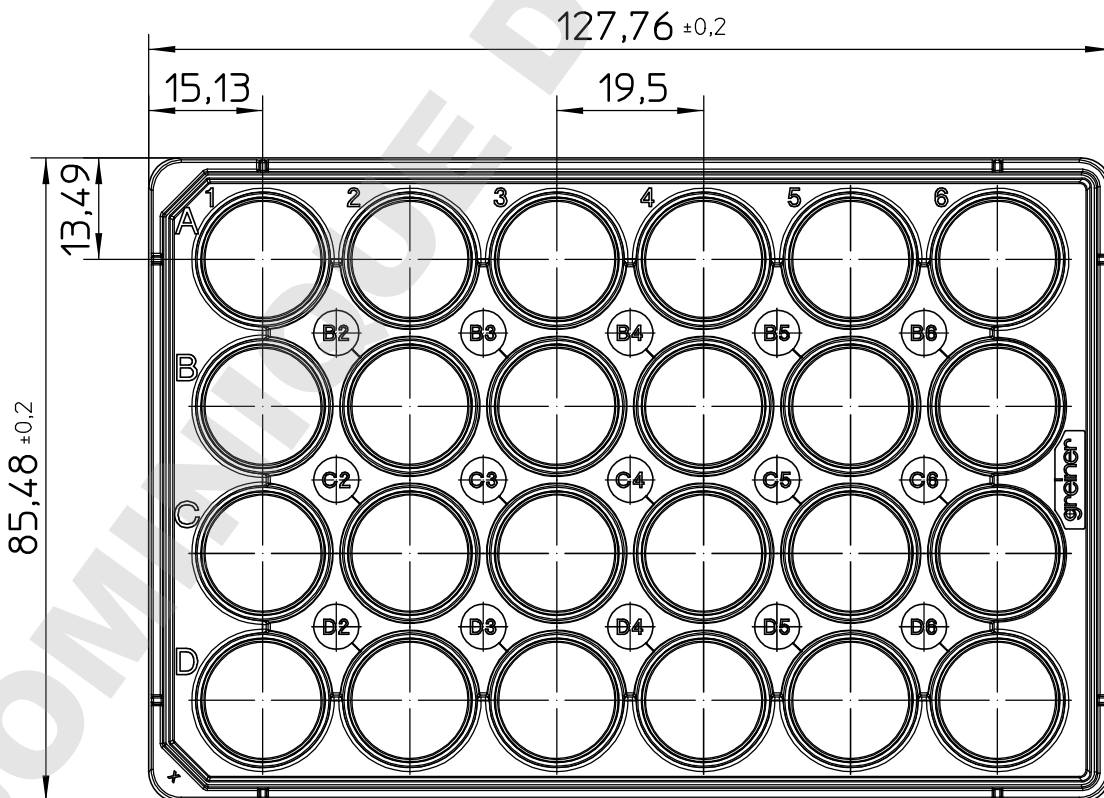
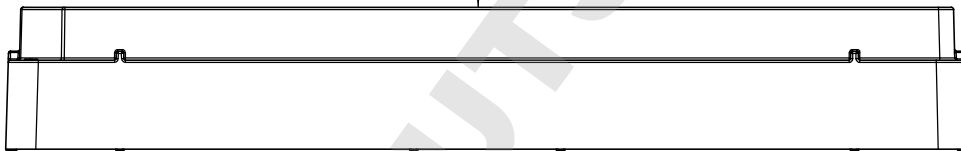


Valid for Item-No.: 662102, 662160



Curvature max.0,2



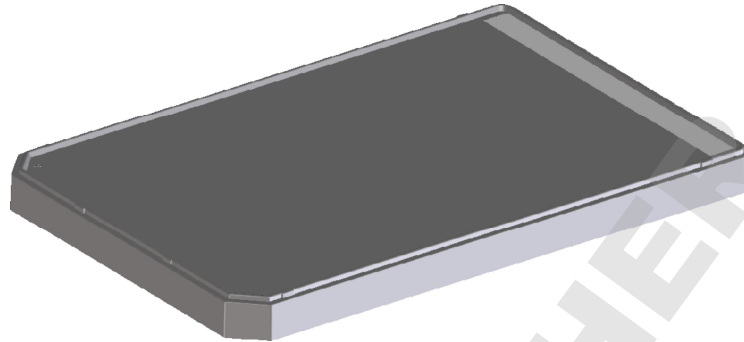
"All dimensions in mm"

Customer drawing subject to change without notice!

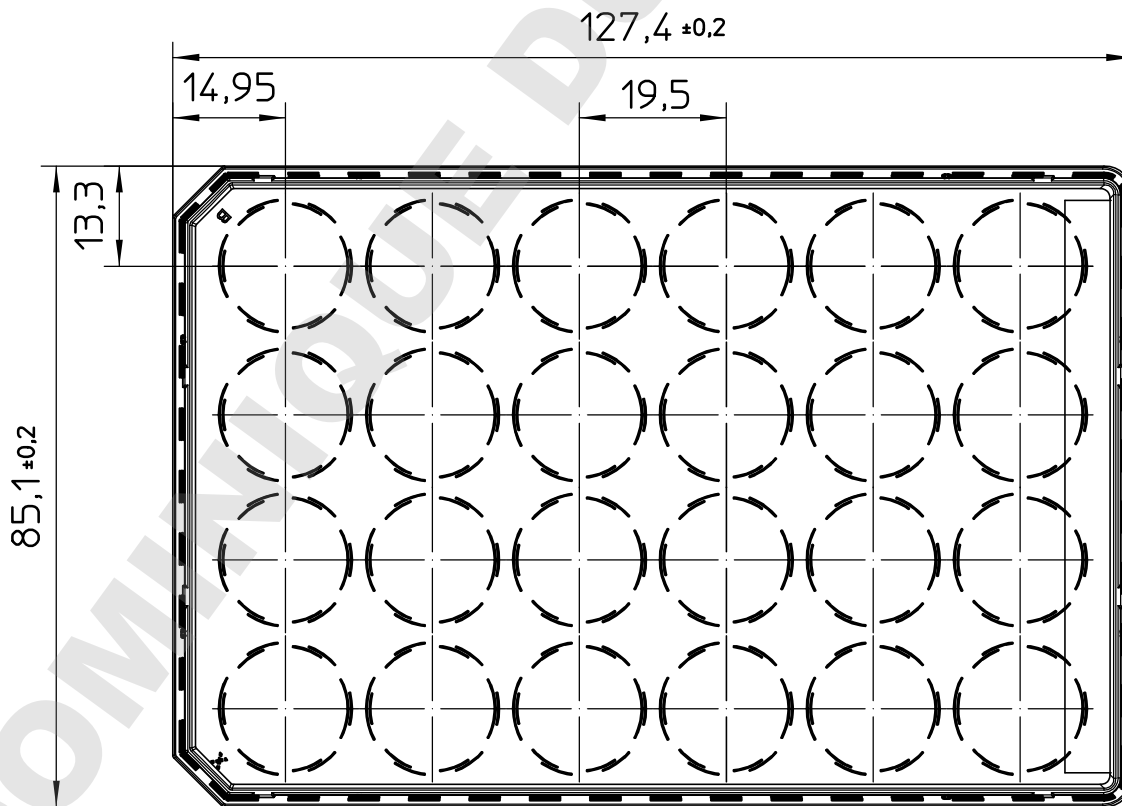
Uncontrolled Copy

Prior Issue	Drawn	Approved	Released	CONFIDENTIAL: Information contained in this document or drawing is confidential and proprietary to Greiner Bio-One GmbH. This document may not be reproduced for any reason without written permission from Greiner Bio-One GmbH. All rights of design, invention, and copyright are reserved.
Revision 6	Date 2011/04/18	Date 2017/01/31	Date 2017/01/31	
Date 2016/08/25	Name forb	Name schwarzj	Name sonntag	

Valid for Item-No.: 662102, 662160



Curvature  $+0,3$   
 $-0,1$



"All dimensions in mm"

Customer drawing subject to change without notice!

Uncontrolled Copy

Prior Issue	Drawn	Approved	Released	CONFIDENTIAL: Information contained in this document or drawing is confidential and proprietary to Greiner Bio-One GmbH. This document may not be reproduced for any reason without written permission from Greiner Bio-One GmbH. All rights of design, invention, and copyright are reserved.
Revision 6	Date 2011/04/18	Date 2017/01/31	Date 2017/01/31	
Date 2016/08/25	Name forb	Name schwarzj	Name sonntag	