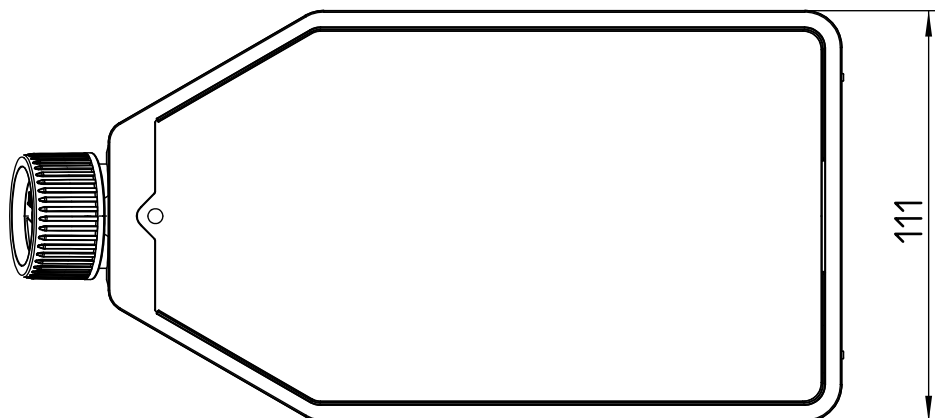
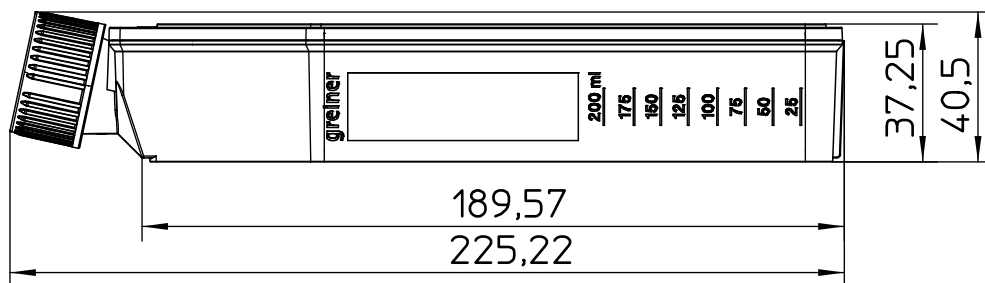
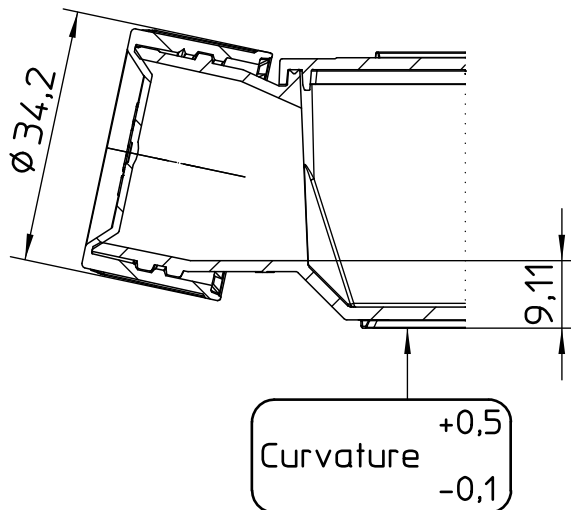


Valid for Item-No.: 660980, 660985



"All dimensions in mm"

Customer drawing subject to change without notice!

Uncontrolled Copy

| Prior Issue | Drawn | Approved | Released | CONFIDENTIAL: Information contained in this document or drawing is confidential and proprietary to Greiner Bio-One GmbH. This document may not be reproduced for any reason without written permission from Greiner Bio-One GmbH. All rights of design, invention, and copyright are reserved. |
|-----------------|-----------------|-----------------|-----------------|--|
| Revision 1 | Date 2016/01/20 | Date 2017/06/29 | Date 2017/06/29 | |
| Date 2016/01/20 | Name forb | Name forb | Name sonntag | |