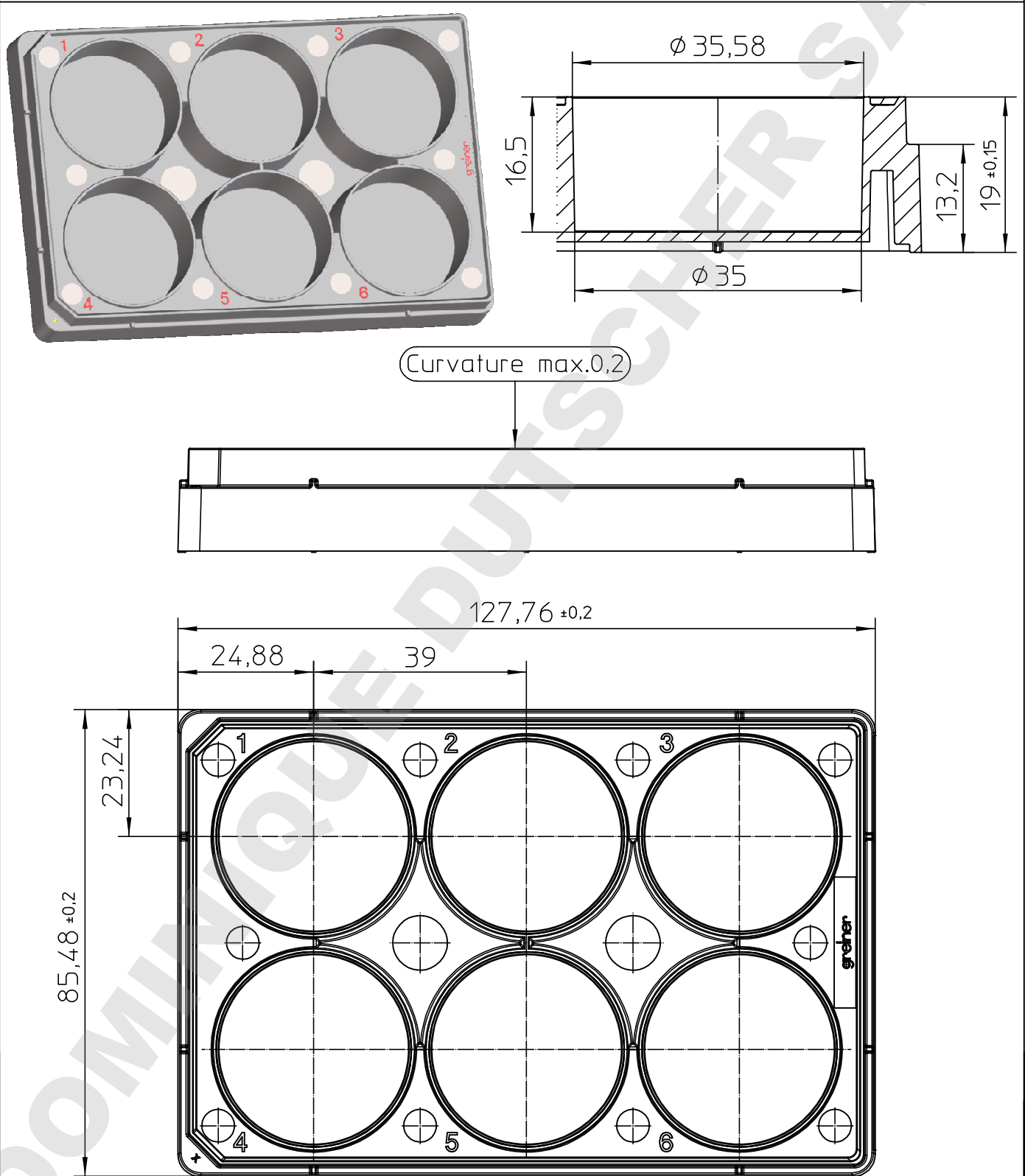


Valid for Item-No.: 657970



Curvature max.0,2

127,76 ±0,2

85,48 ±0,2

23,24

24,88

39

"All dimensions in mm"

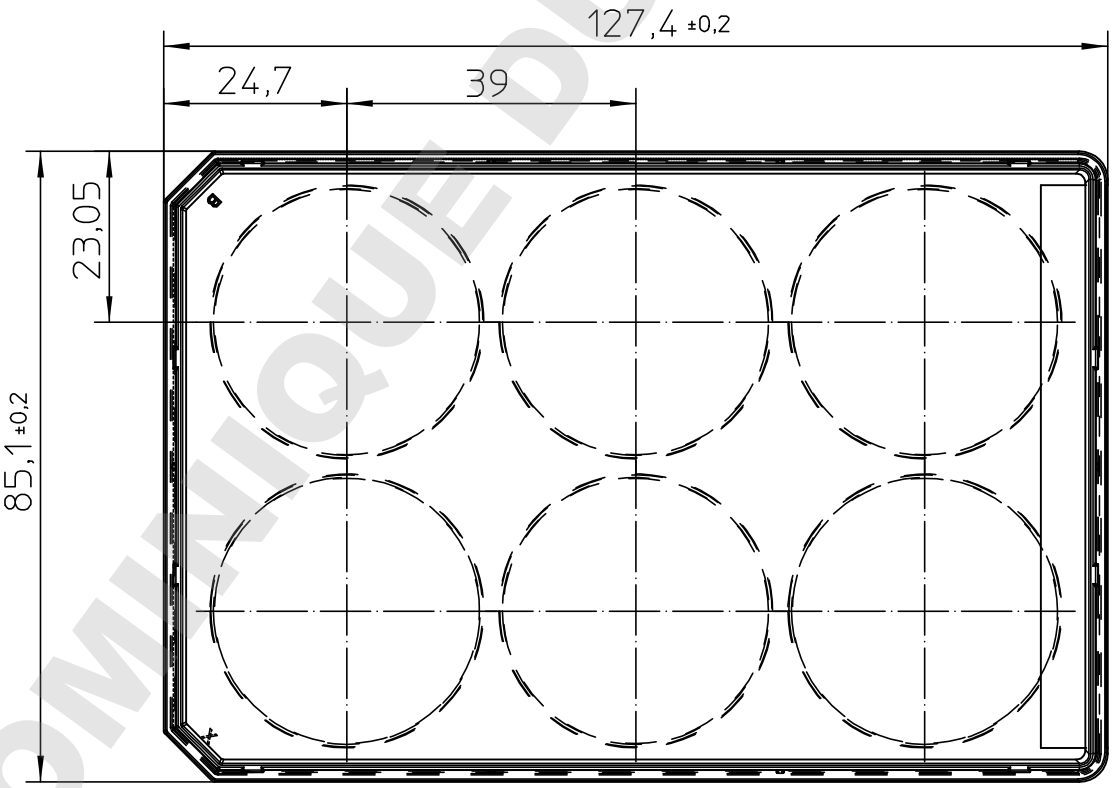
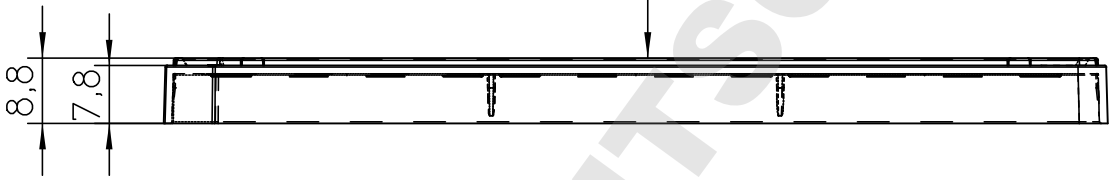
Customer drawing subject to change without notice!

Uncontrolled Copy

Prior Issue	Drawn	Approved	Released	<small>CONFIDENTIAL: Information contained in this document or drawing is confidential and proprietary to Greiner Bio-One GmbH. This document may not be reproduced for any reason without written permission from Greiner Bio-One GmbH. All rights of design, invention, and copyright are reserved.</small>
Revision	Date 2015/01/09	Date 2015/01/09	Date 2015/01/09	
Date	Name schwarzj	Name schwarzj	Name sonntag	



Curvature $+0,2$
 0



"All dimensions in mm"
Customer drawing subject to change without notice!

Uncontrolled Copy

Prior Issue	Drawn	Approved	Released	CONFIDENTIAL: Information contained in this document or drawing is confidential and proprietary to Greiner Bio-One GmbH. This document may not be reproduced for any reason without written permission from Greiner Bio-One GmbH. All rights of design, invention, and copyright are reserved.
Revision	Date 2015/01/09	Date 2015/01/09	Date 2015/01/09	
Date	Name schwarzj	Name schwarzj	Name sonntag	