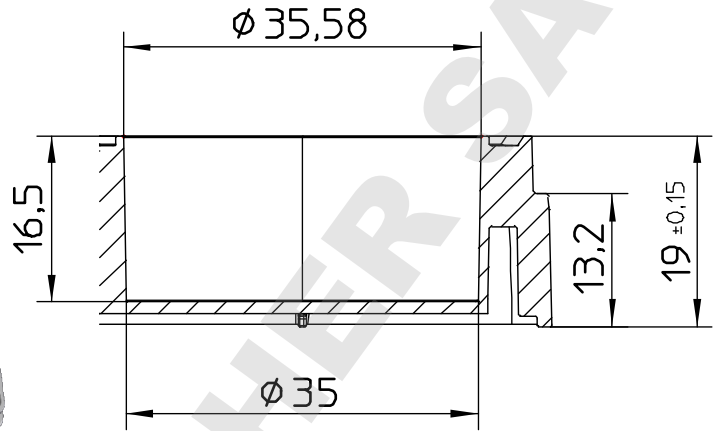
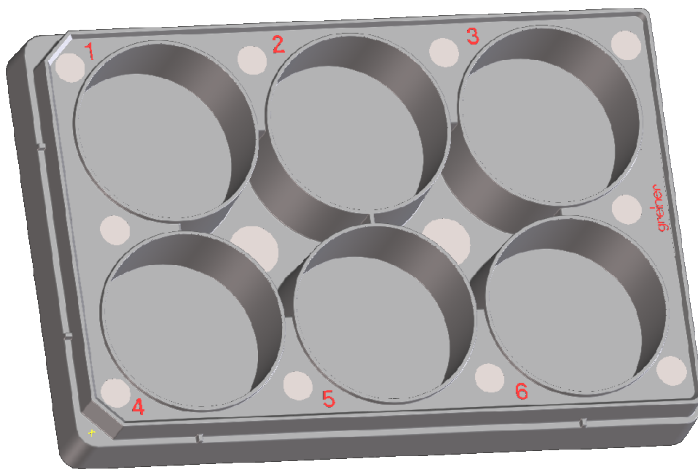
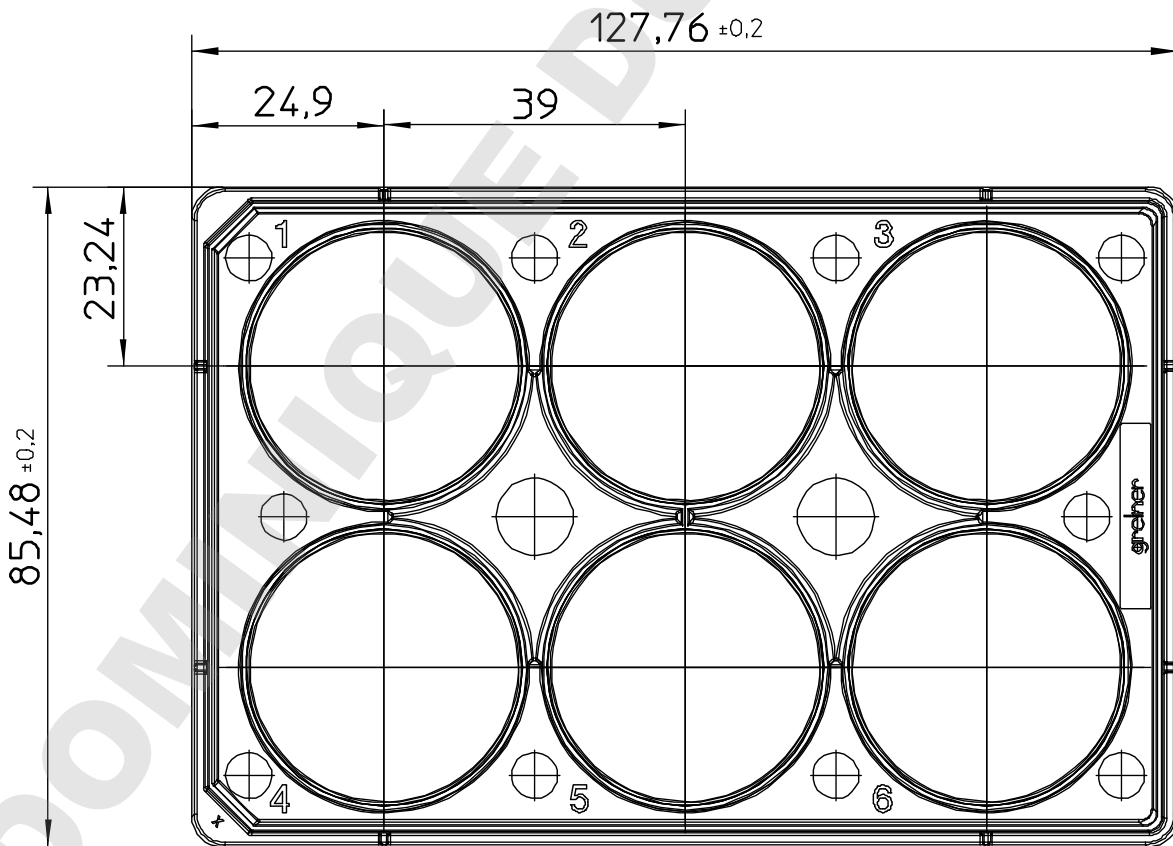
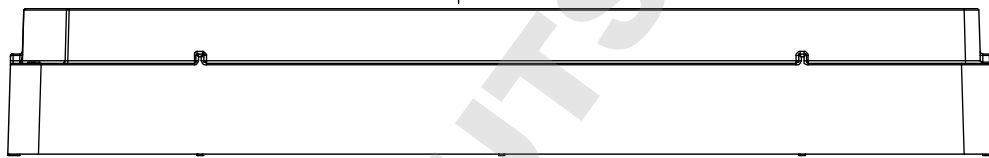


Valid for Item-No.: 657610, 657630, 657631, 657638, 657640, 657641



Curvature 0,2



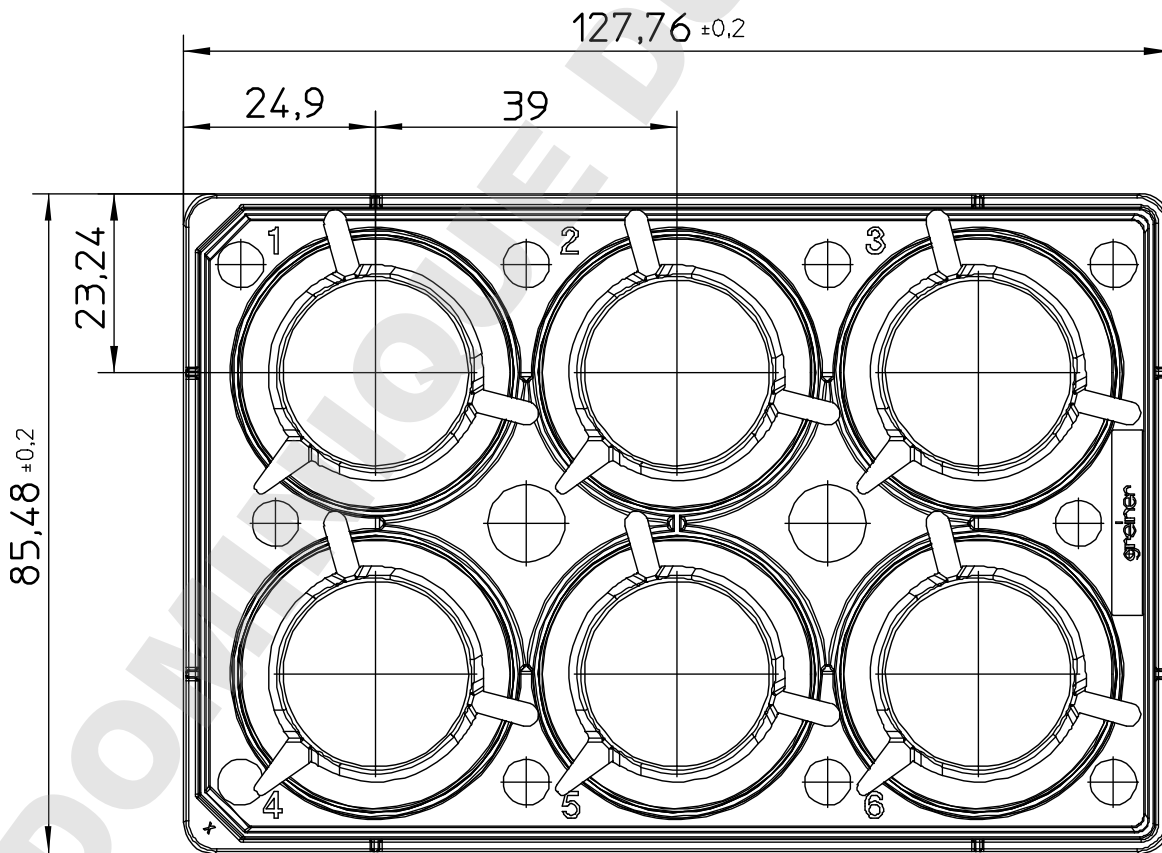
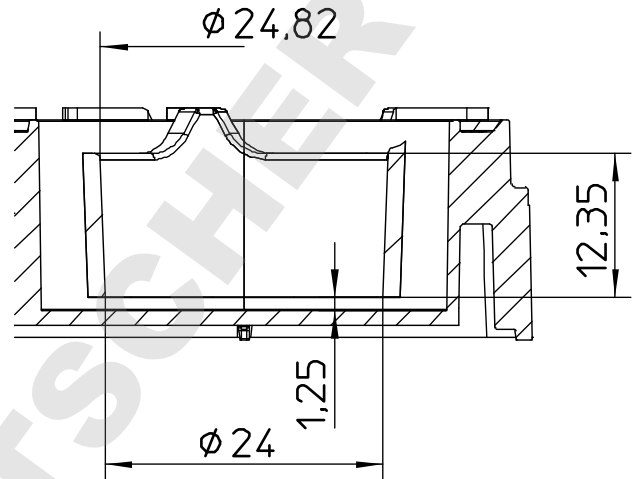
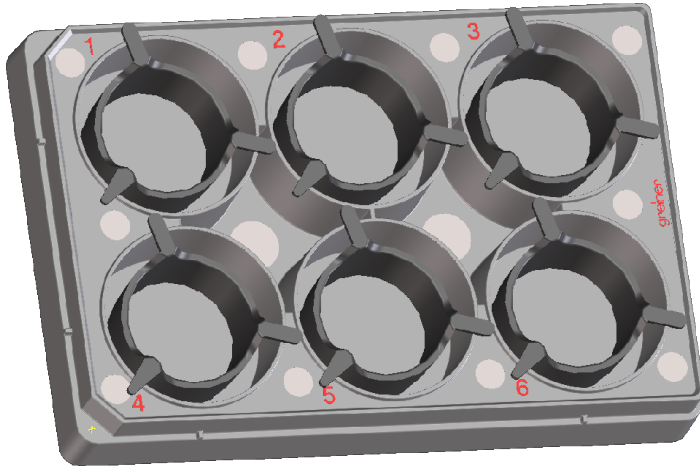
"All dimensions in mm"

Customer drawing subject to change without notice!

Uncontrolled Copy

Prior Issue	Drawn	Approved	Released	CONFIDENTIAL Information contained in this document or drawing is confidential and proprietary to Greiner Bio-One GmbH. This document may not be reproduced for any reason without written permission from Greiner Bio-One GmbH. All rights of design, invention, and copyright are reserved.
Revision	Date 2011/08/10	Date 2020/09/30	Date 2020/09/30	
Date	Name forb	Name forb	Name sonntag	

Valid for Item-No.: 657610, 657630, 657631, 657638, 657640, 657641



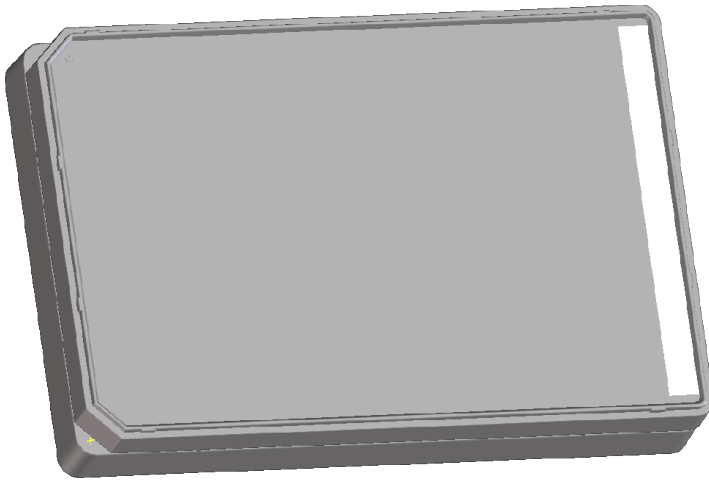
"All dimensions in mm"

Customer drawing subject to change without notice!

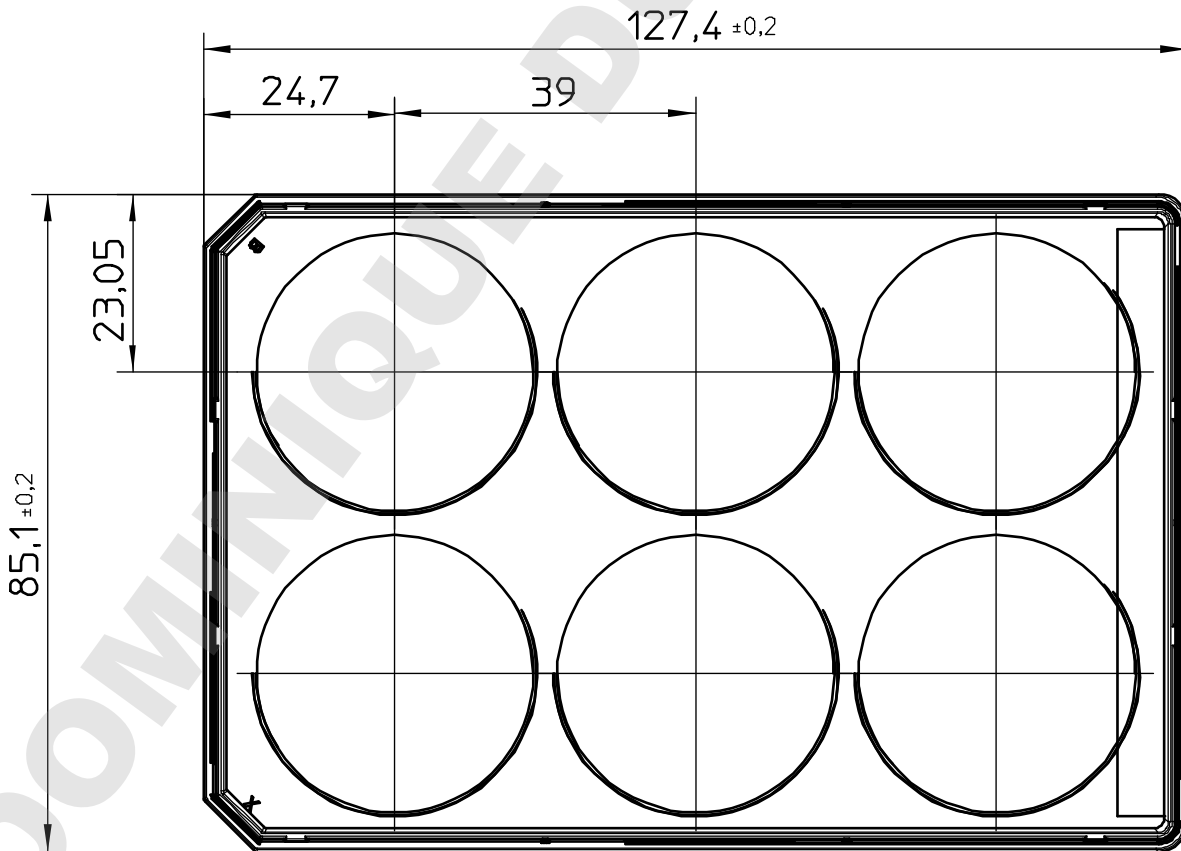
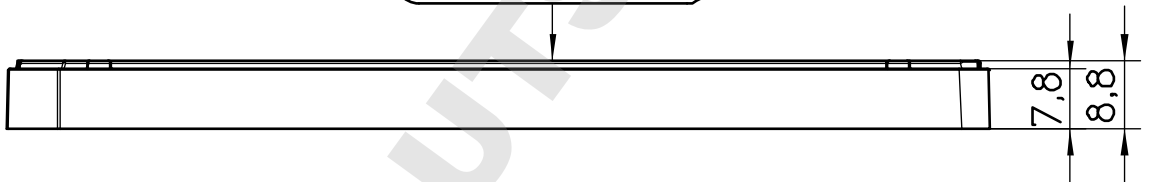
Uncontrolled Copy

Prior Issue	Drawn	Approved	Released	CONFIDENTIAL Information contained in this document or drawings is confidential and proprietary to Greiner Bio-One GmbH. This document may not be reproduced for any reason without written permission from Greiner Bio-One GmbH. All rights of design, invention, and copyright are reserved.
Revision	Date 2011/08/10	Date 2020/09/30	Date 2020/09/30	
Date	Name forb	Name forb	Name sonntag	

Valid for Item-No.: 657610, 657630, 657631, 657638, 657640, 657641



Curvature +0.3  
-0.1



"All dimensions in mm"

Customer drawing subject to change without notice!

Uncontrolled Copy

Prior Issue	Drawn	Approved	Released	CONFIDENTIAL Information contained in this document or drawings is confidential and proprietary to Greiner Bio-One GmbH. This document may not be reproduced for any reason without written permission from Greiner Bio-One GmbH. All rights of design, invention, and copyright are reserved.
Revision	Date 2011/08/10	Date 2020/09/30	Date 2020/09/30	
Date	Name forb	Name forb	Name sonntag	