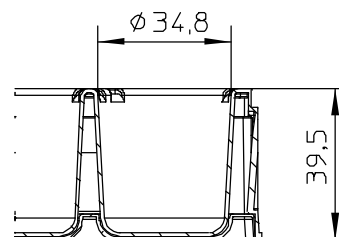
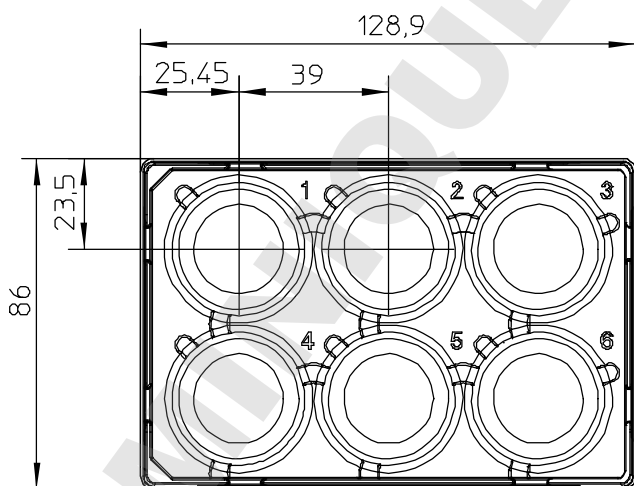
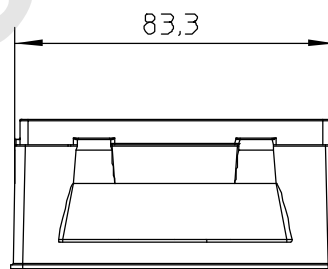
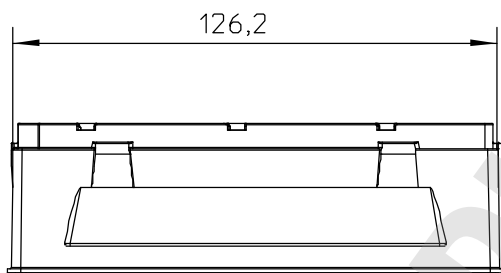
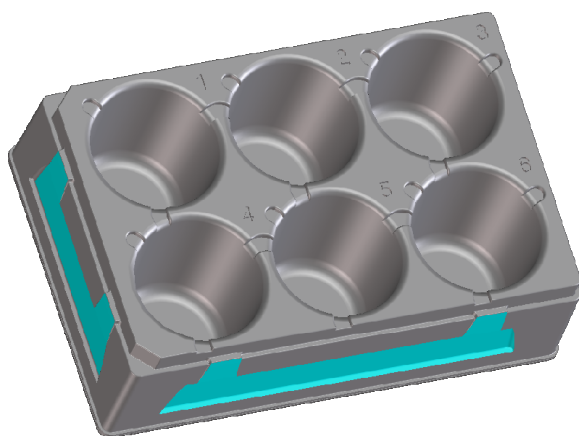




Valid for Item-No.: 657110,



Only layout change, no design change of the product.
Prior drawing No.AC-657110/ Rev 02/ March, 23, 2007

"All dimensions in mm"

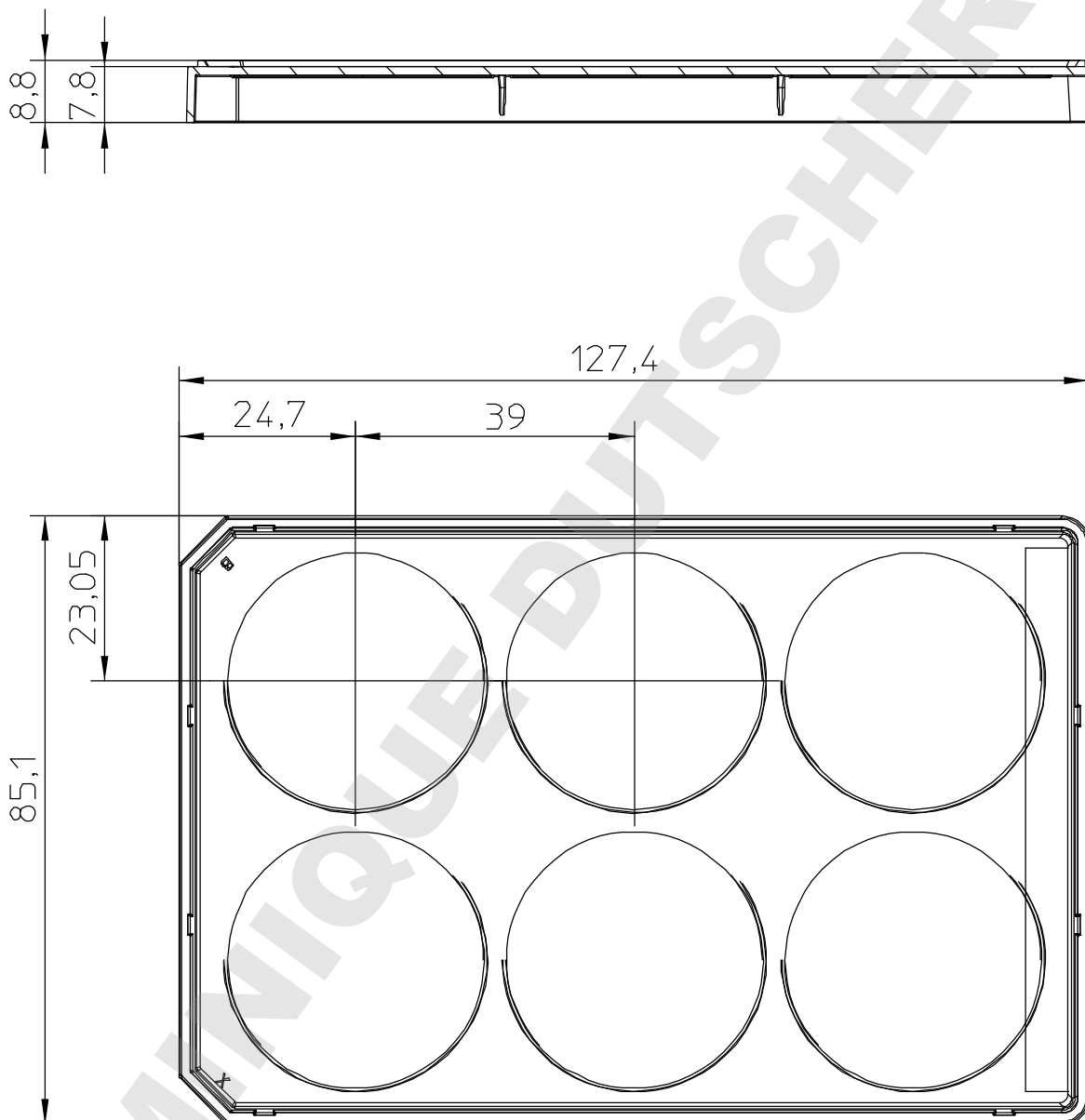
Customer drawing subject to change without notice!

Uncontrolled Copy

Prior Issue	Drawn	Approved	Released	CONFIDENTIAL: Information contained in this document or drawing is confidential and property of Greiner Bio-One GmbH. This document may not be reproduced for any reason without written permission from Greiner Bio-One GmbH. All rights of design, invention, and copyright are reserved.
Revision	Date 2011/06/22	Date 2011/06/22	Date 2011/06/22	
Date	Name falter	Name falter	Name sonntag	



Valid for Item-No.: 657110,



"All dimensions in mm"

Customer drawing subject to change without notice!

Uncontrolled Copy

Prior Issue	Drawn	Approved	Released	CONFIDENTIAL: Information contained in this document or drawing is confidential and property of Greiner Bio-One GmbH. This document may not be reproduced for any reason without written permission from Greiner Bio-One GmbH. All rights of design, invention, and copyright are reserved.
Revision	Date 2011/06/22	Date 2011/06/22	Date 2011/06/22	
Date	Name falter	Name falter	Name sonntag	