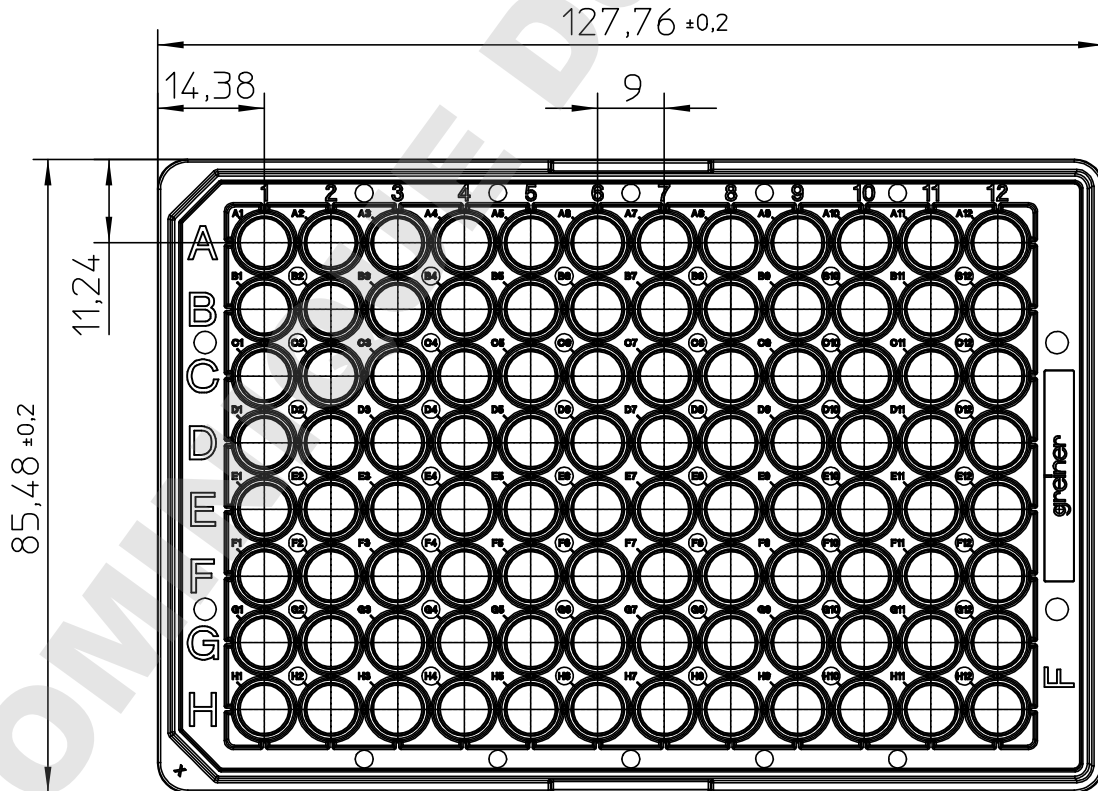


Curvature max.0,2



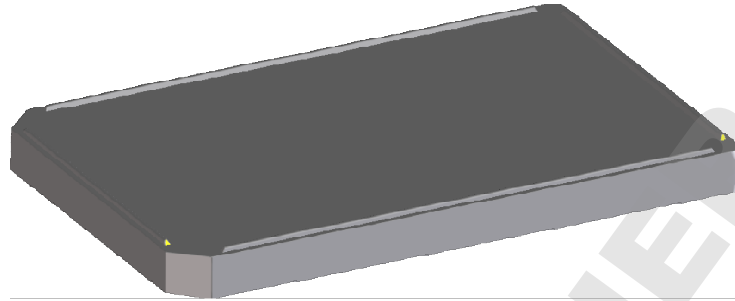
"All dimensions in mm"

Customer drawing subject to change without notice!

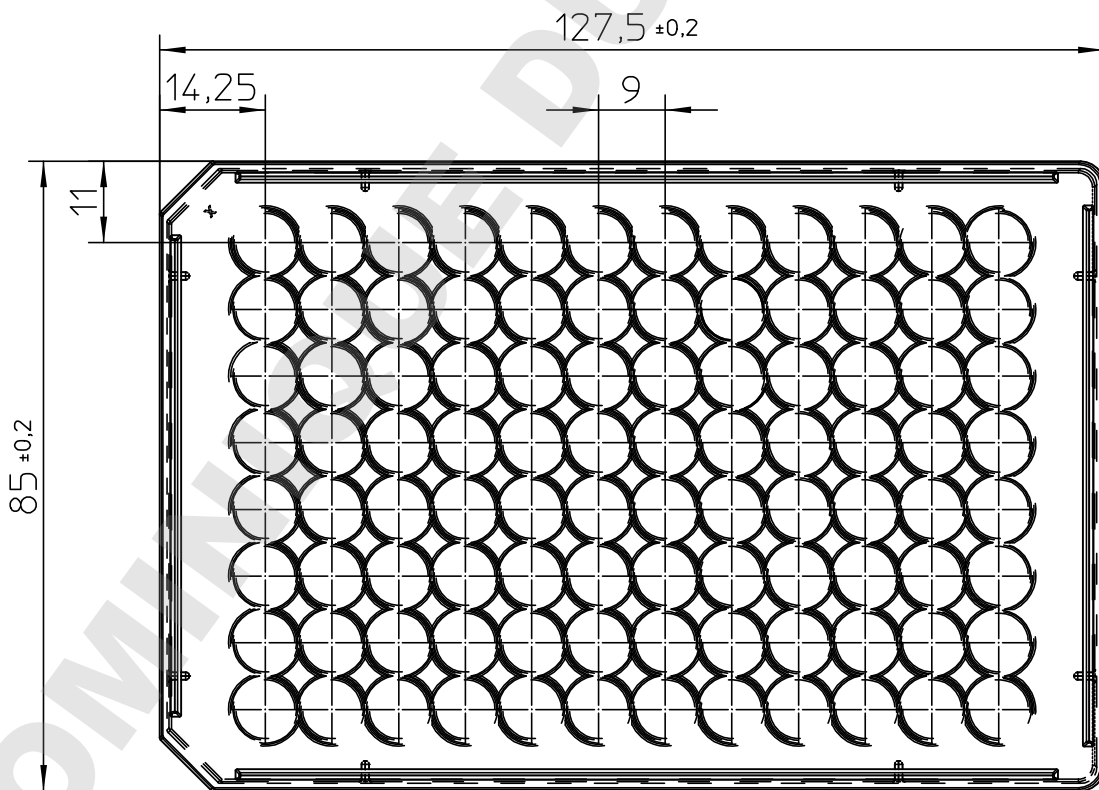
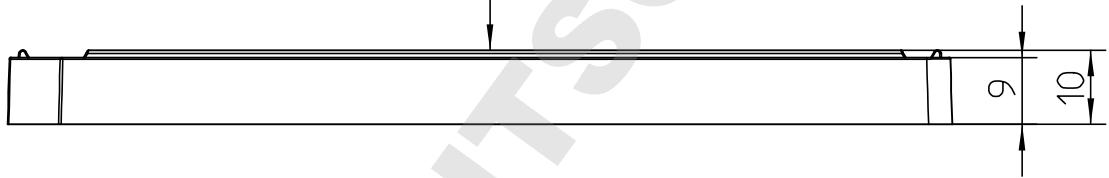
Uncontrolled Copy

Prior Issue	Drawn	Approved	Released	<small>CONFIDENTIAL: Information contained in this document or drawing is confidential and proprietary to Greiner Bio-One GmbH. This document may not be reproduced for any reason without written permission from Greiner Bio-One GmbH. All rights of design, invention, and copyright are reserved.</small>
Revision 1	Date 2011/06/21	Date 2015/02/10	Date 2015/02/10	
Date 2011/06/21	Name forb	Name schwarzj	Name sonntag	

Valid for Item-No.: 655983, 655986



Curvature $+0,3$
 $-0,3$



"All dimensions in mm"
Customer drawing subject to change without notice!

Uncontrolled Copy

Prior Issue	Drawn	Approved	Released	CONFIDENTIAL: Information contained in this document or drawing is confidential and proprietary to Greiner Bio-One GmbH. This document may not be reproduced for any reason without written permission from Greiner Bio-One GmbH. All rights of design, invention, and copyright are reserved.
Revision 1	Date 2011/06/21	Date 2015/02/10	Date 2015/02/10	
Date 2011/06/21	Name forb	Name schwarzj	Name sonntag	