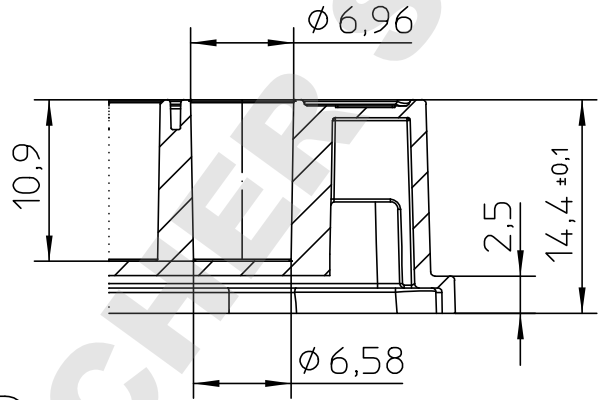
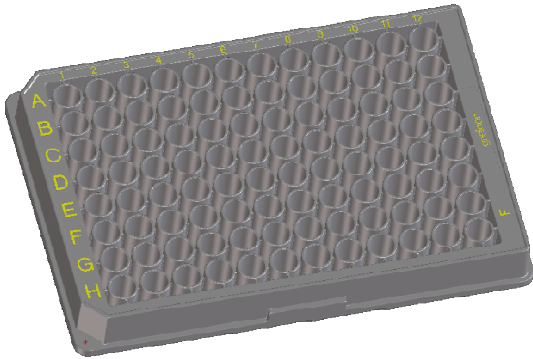
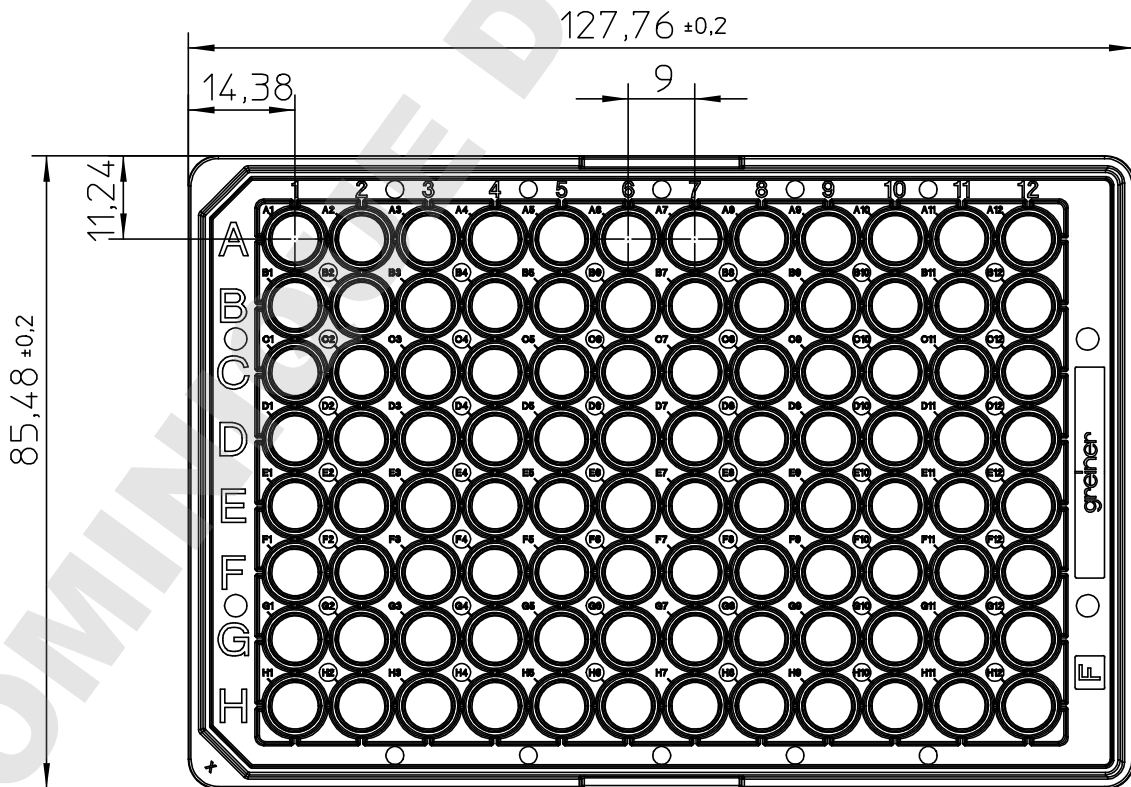


Valid for Item-No.: 655970



Curvature max. 0,2



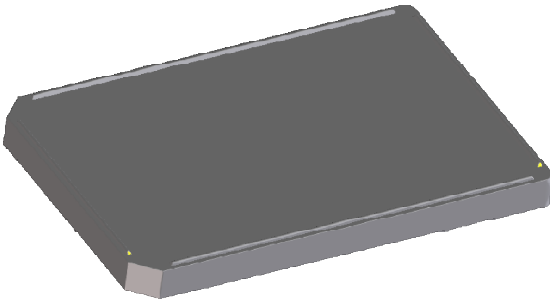
"All dimensions in mm"

Customer drawing subject to change without notice!

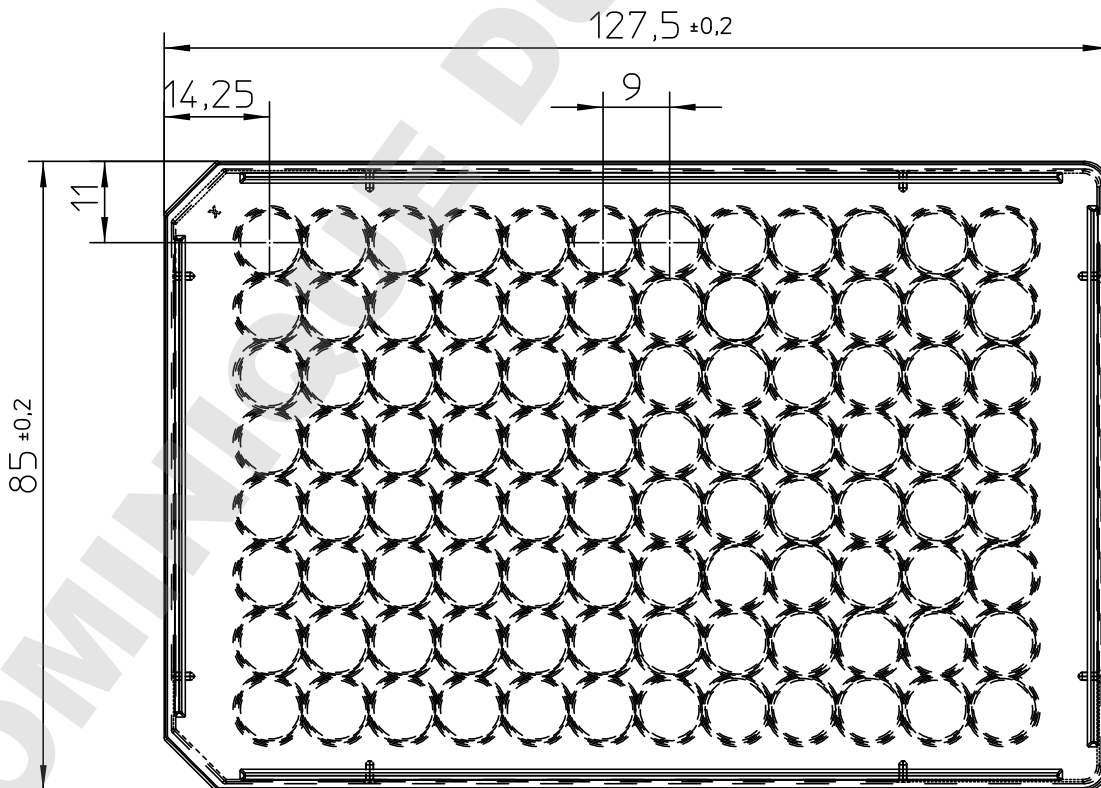
Uncontrolled Copy

Prior Issue	Drawn	Approved	Released	<small>CONFIDENTIAL: Information contained in this document or drawing is confidential and proprietary to Greiner Bio-One GmbH. This document may not be reproduced for any reason without written permission from Greiner Bio-One GmbH. All rights of design, invention, and copyright are reserved.</small>
Revision	Date 2015/03/24	Date 2015/03/24	Date 2015/03/24	
Date	Name forb	Name forb	Name sonntag	

Valid for Item-No.: 655970



Curvature +0.3
-0.3



"All dimensions in mm"

Customer drawing subject to change without notice!

Uncontrolled Copy

Prior Issue	Drawn	Approved	Released	CONFIDENTIAL: Information contained in this document or drawing is confidential and proprietary to Greiner Bio-One GmbH. This document may not be reproduced for any reason without written permission from Greiner Bio-One GmbH. All rights of design, invention, and copyright are reserved.
Revision	Date 2015/03/24	Date 2015/03/24	Date 2015/03/24	
Date	Name forb	Name forb	Name sonntag	