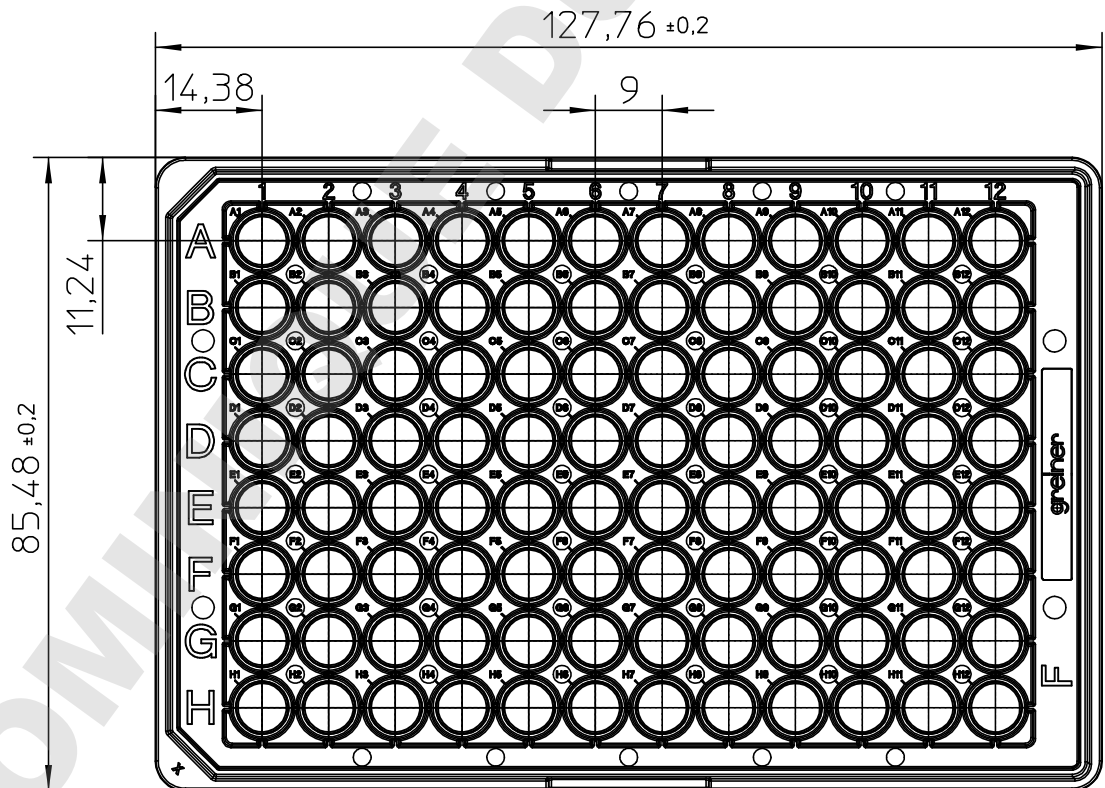


Curvature max.0,2



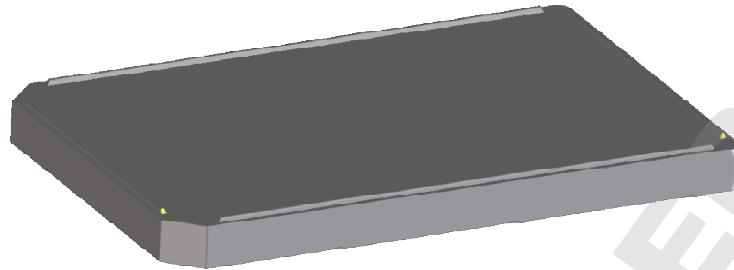
"All dimensions in mm"

Customer drawing subject to change without notice!

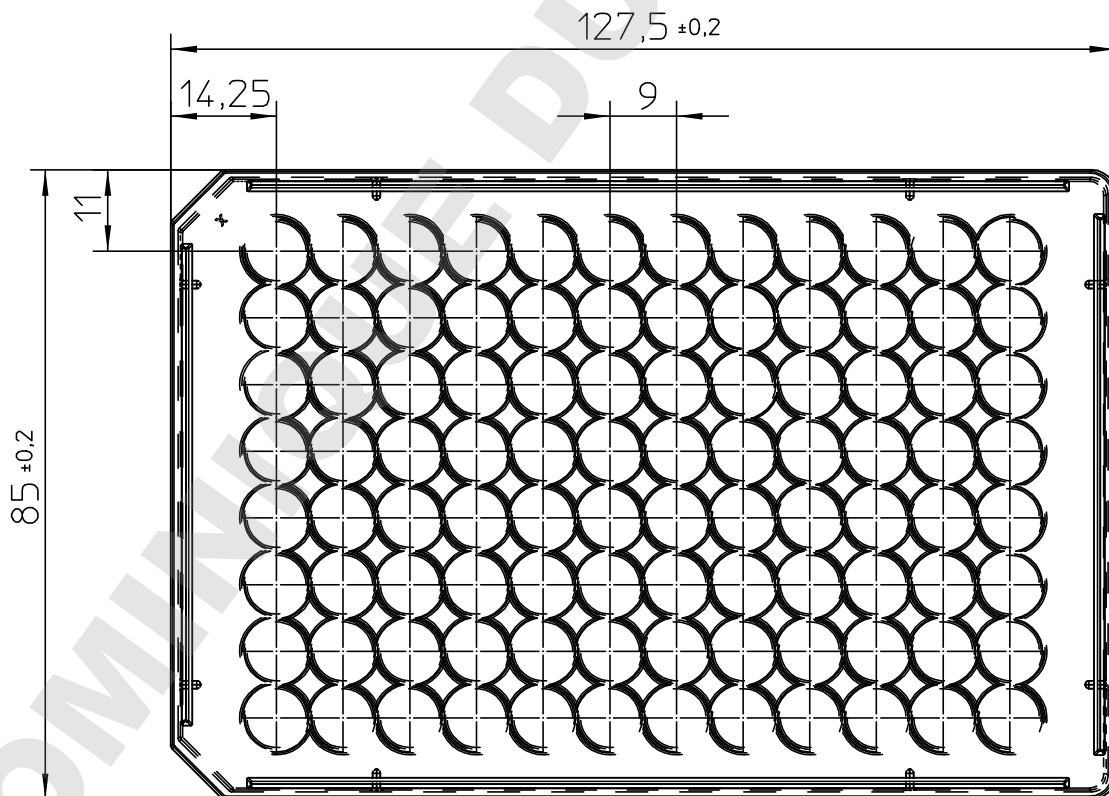
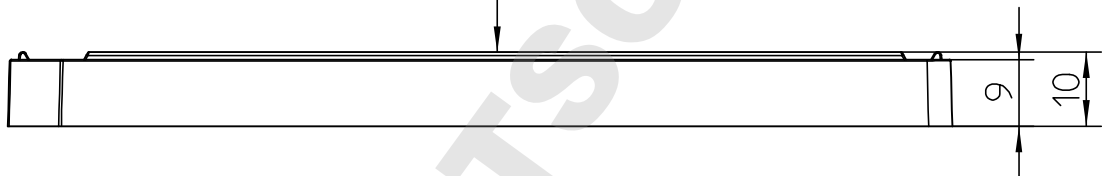
Uncontrolled Copy

Prior Issue	Drawn	Approved	Released	CONFIDENTIAL: Information contained in this document or drawing is confidential and proprietary to Greiner Bio-One GmbH. This document may not be reproduced for any reason without written permission from Greiner Bio-One GmbH. All rights of design, invention, and copyright are reserved.
Revision 1	Date 2011/05/30	Date 2015/02/12	Date 2015/02/12	
Date 2011/05/30	Name forb	Name schwarzj	Name sonntag	

Valid for Item-No.: 655936, 655944, 655946, 655948, 655956



Curvature +0,3
-0,3



"All dimensions in mm"

Customer drawing subject to change without notice!

Uncontrolled Copy

Prior Issue	Drawn	Approved	Released	CONFIDENTIAL: Information contained in this document or drawing is confidential and proprietary to Greiner Bio-One GmbH. This document may not be reproduced for any reason without written permission from Greiner Bio-One GmbH. All rights of design, invention, and copyright are reserved.
Revision 1	Date 2011/05/30	Date 2015/02/12	Date 2015/02/12	
Date 2011/05/30	Name forb	Name schwarzj	Name sonntag	