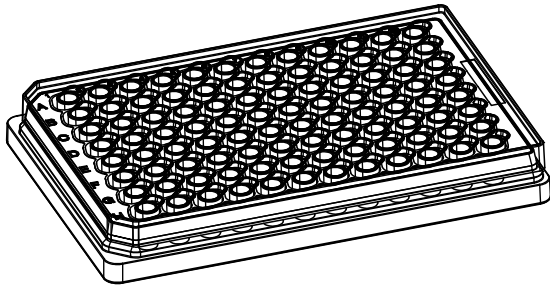
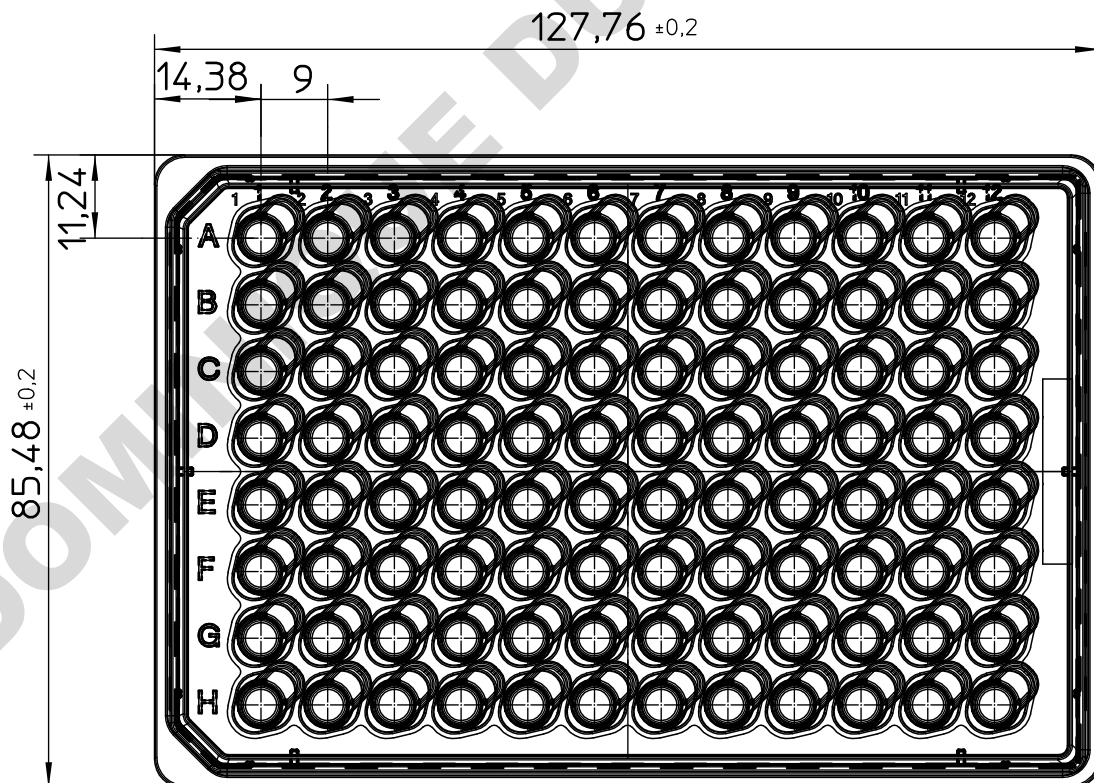


Valid for Item-No.: 655630, 655640, 655641, 655680



Curvature \updownarrow Max.Diff 0.20



D2

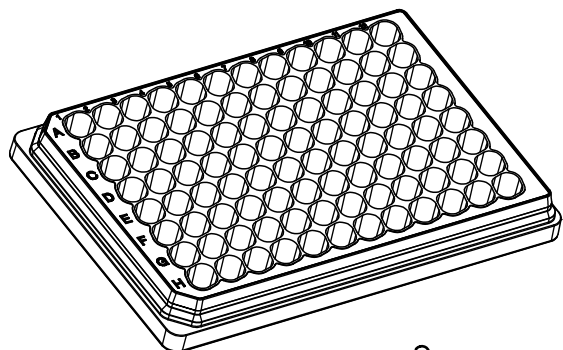
"All dimensions in mm"

Customer drawing subject to change without notice!

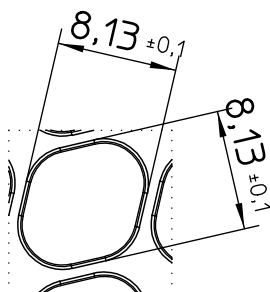
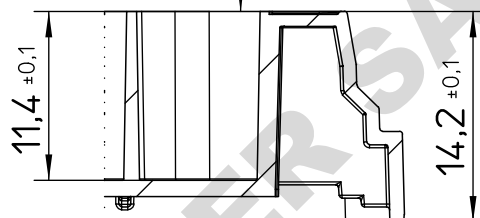
Uncontrolled Copy

| Prior Issue | Drawn | Approved | Released | CONFIDENTIAL: Information contained in this document or drawing is confidential and proprietary to Greiner Bio-One GmbH. This document may not be reproduced for any reason without written permission from Greiner Bio-One GmbH. All rights of design, invention, and copyright are reserved. |
|--------------------|--------------------|--------------------|--------------------|--|
| Revision 3 | Date 2020/12/02 | Date 2023/11/30 | Date 2023/11/30 | |
| Date 2023/11/15 | Name forb | Name forb | Name kleber | |

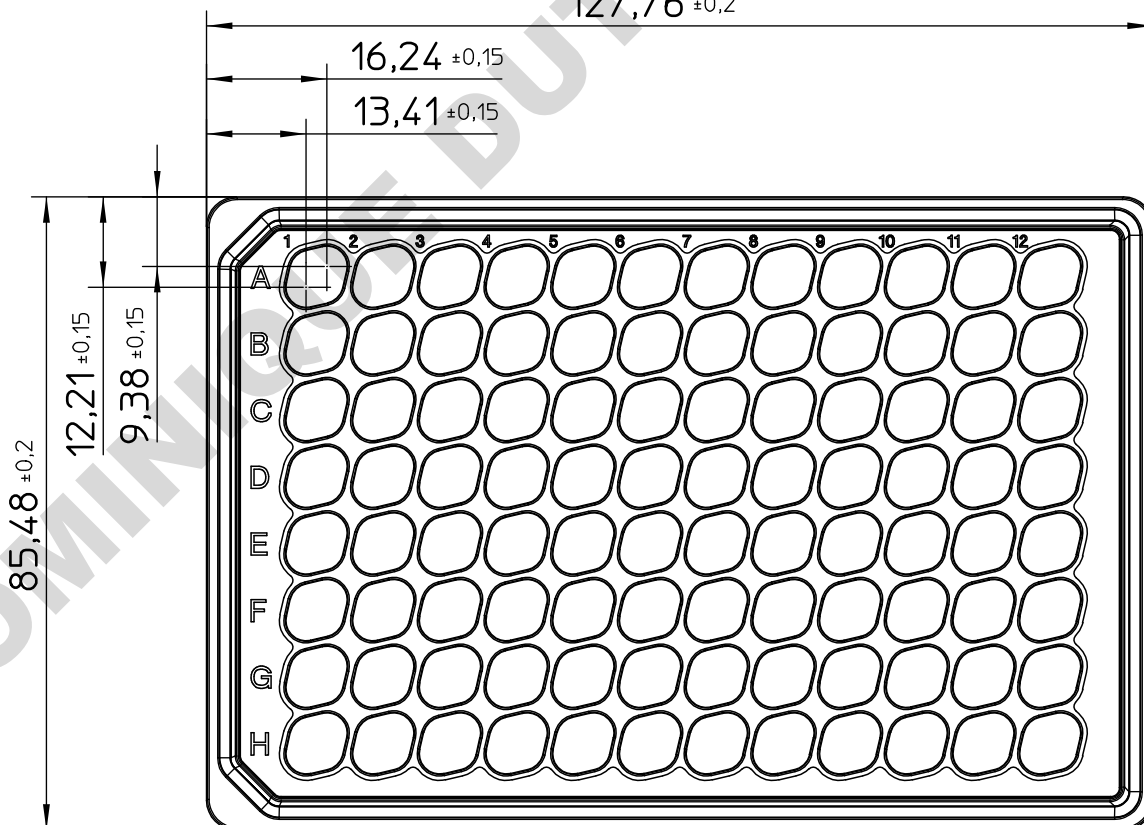
Valid for Item-No.: 655630, 655640, 655641, 655680



Curvature \updownarrow Max.Diff 0.25



127,76 ±0,2



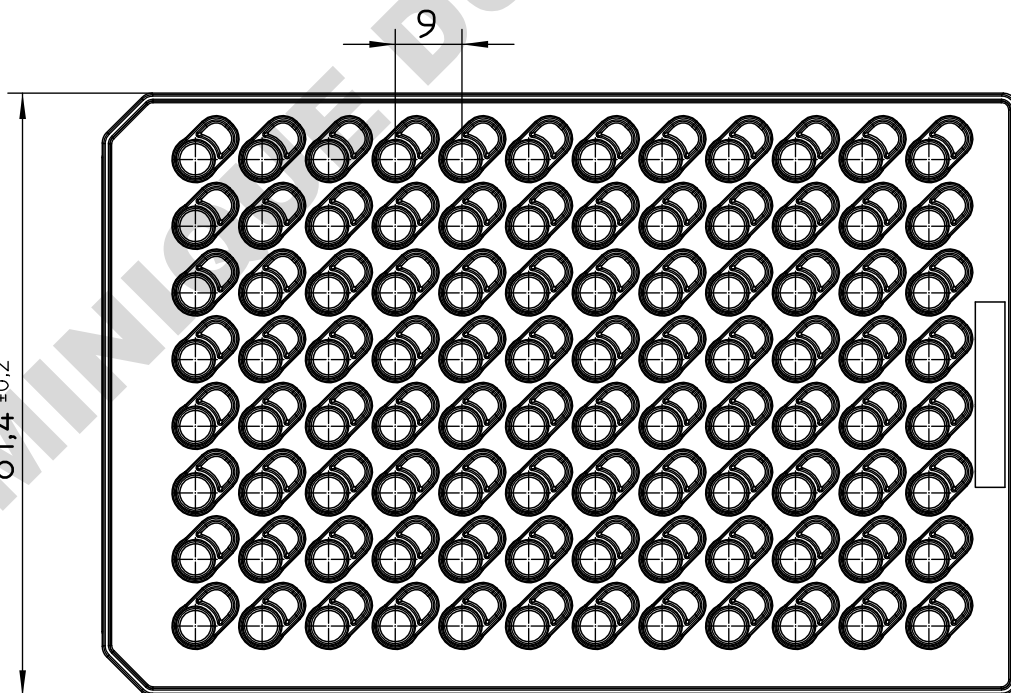
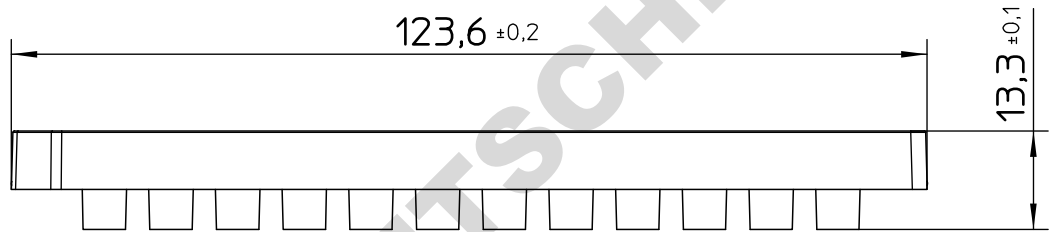
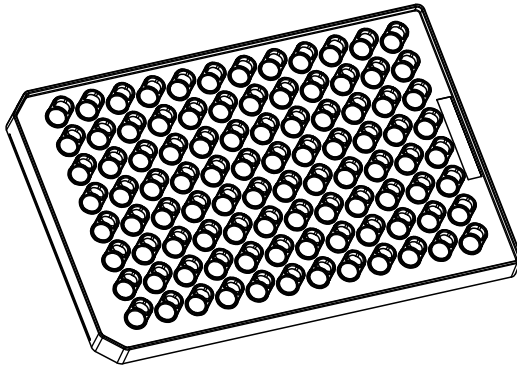
"All dimensions in mm"

Customer drawing subject to change without notice!

Uncontrolled Copy

| Prior Issue | Drawn | Approved | Released | CONFIDENTIAL: Information contained in this document or drawing is confidential and proprietary to Greiner Bio-One GmbH. This document may not be reproduced for any reason without written permission from Greiner Bio-One GmbH. All rights of design, invention, and copyright are reserved. |
|-----------------|-----------------|-----------------|-----------------|--|
| Revision 3 | Date 2020/12/02 | Date 2023/11/30 | Date 2023/11/30 | |
| Date 2023/11/15 | Name forb | Name forb | Name kleber | |

Valid for Item-No.: 655630, 655640, 655641, 655680



"All dimensions in mm"

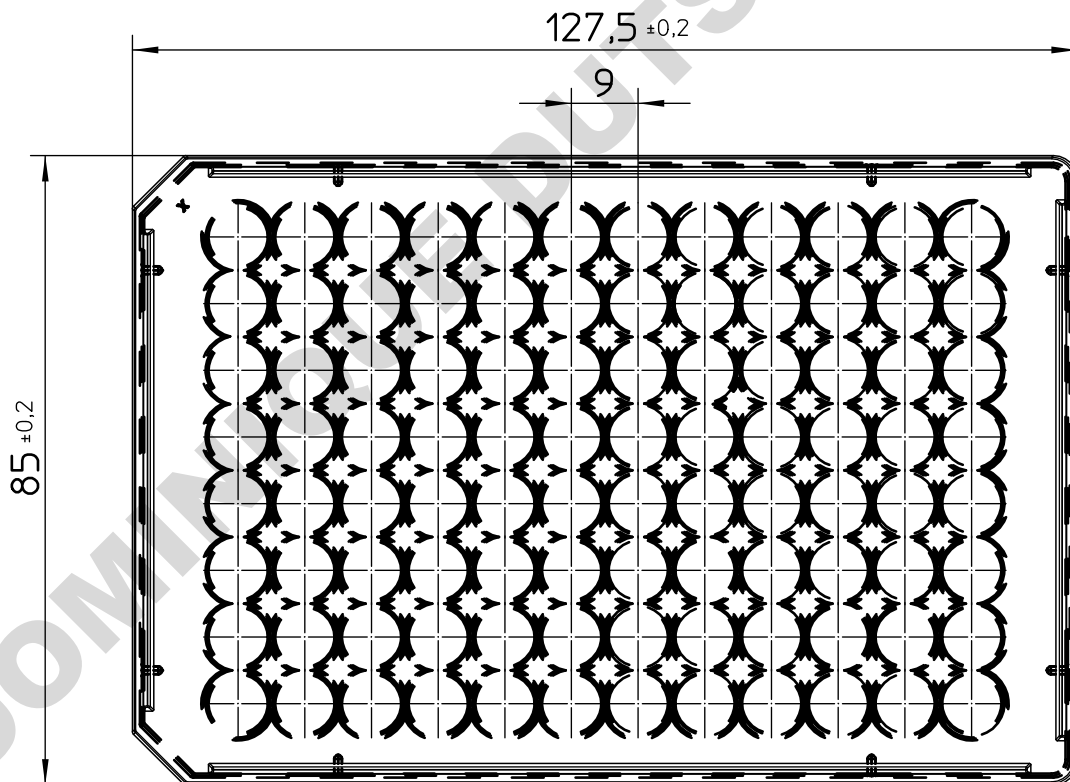
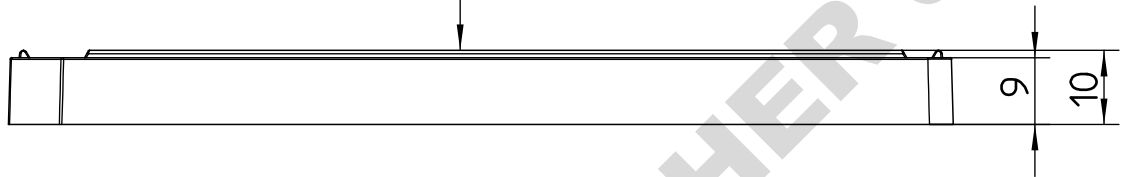
Customer drawing subject to change without notice!

Uncontrolled Copy

| Prior Issue | Drawn | Approved | Released | CONFIDENTIAL: Information contained in this document or drawing is confidential and proprietary to Greiner Bio-One GmbH. This document may not be reproduced for any reason without written permission from Greiner Bio-One GmbH. All rights of design, invention, and copyright are reserved. |
|-----------------|-----------------|-----------------|-----------------|--|
| Revision 3 | Date 2020/12/02 | Date 2023/11/30 | Date 2023/11/30 | |
| Date 2023/11/15 | Name forb | Name forb | Name kleber | |

Valid for Item-No.: 655630, 655640, 655641, 655680

Curvature \updownarrow Max.Diff 0.30



"All dimensions in mm"

Customer drawing subject to change without notice!

Uncontrolled Copy

| Prior Issue | Drawn | Approved | Released | CONFIDENTIAL: Information contained in this document or drawing is confidential and proprietary to Greiner Bio-One GmbH. This document may not be reproduced for any reason without written permission from Greiner Bio-One GmbH. All rights of design, invention, and copyright are reserved. |
|--------------------|--------------------|--------------------|--------------------|--|
| Revision 3 | Date 2020/12/02 | Date 2023/11/30 | Date 2023/11/30 | |
| Date 2023/11/15 | Name forb | Name forb | Name kleber | |