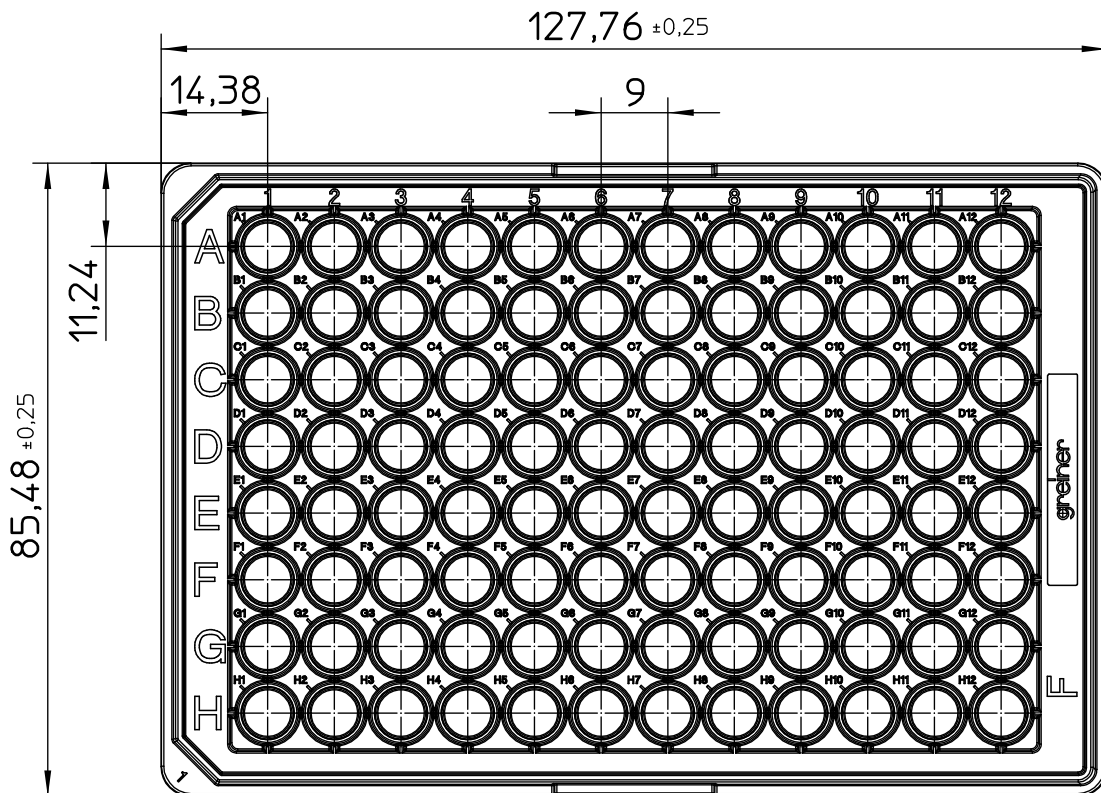
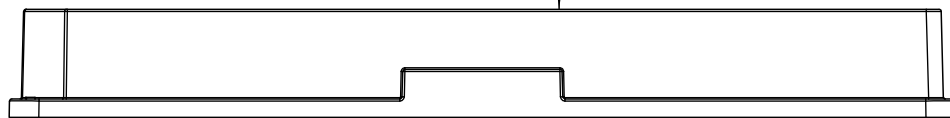
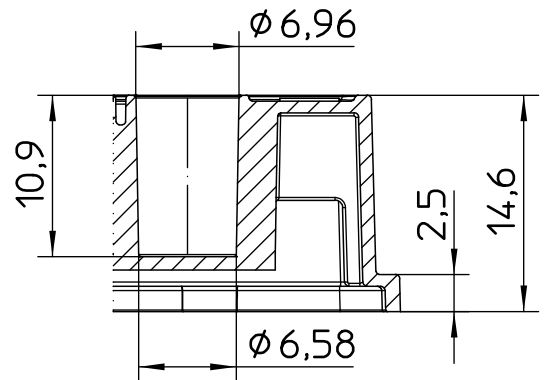
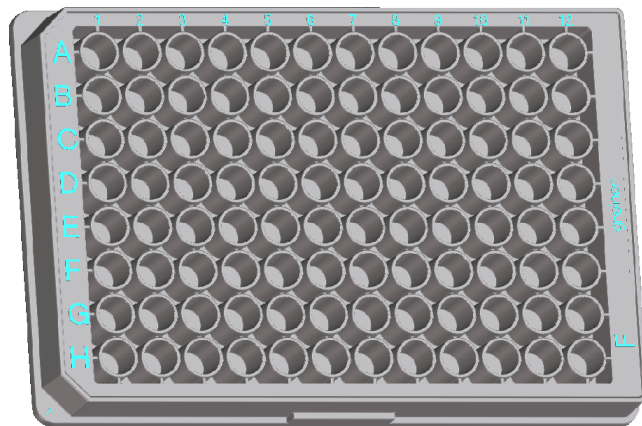


Valid for Item-No.: 655201, 655209, 655261



"All dimensions in mm"

Customer drawing subject to change without notice!

Uncontrolled Copy

Prior Issue	Drawn	Approved	Released	CONFIDENTIAL: Information contained in this document or drawing is confidential and proprietary to Greiner Bio-One GmbH. This document may not be reproduced for any reason without written permission from Greiner Bio-One GmbH. All rights of design, invention, and copyright are reserved.
Revision 6	Date 2010/12/17	Date 2021/09/30	Date 2021/09/30	
Date 2017/11/13	Name forb	Name forb	Name schwarzj	