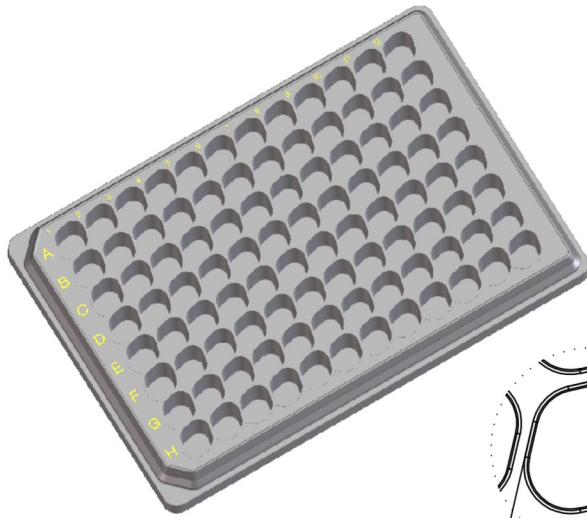
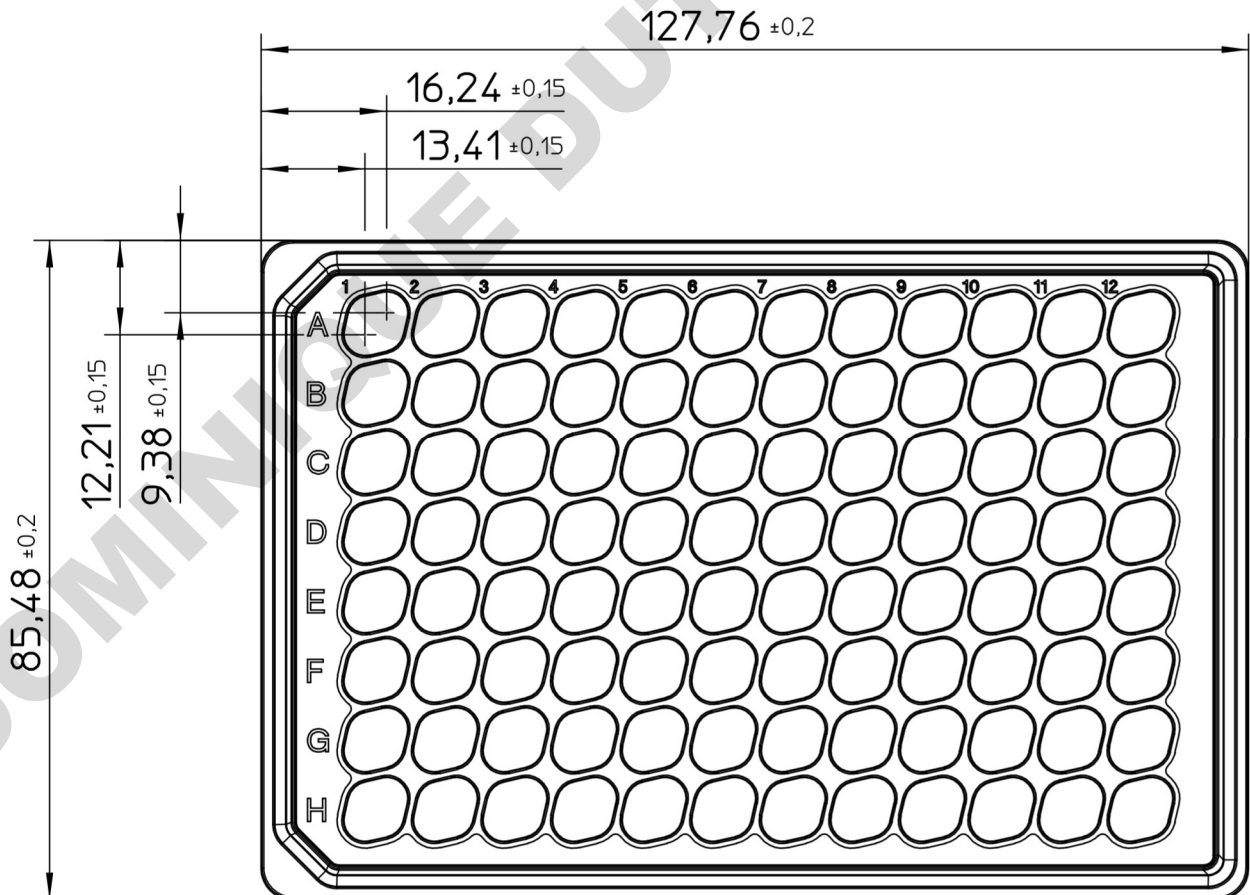
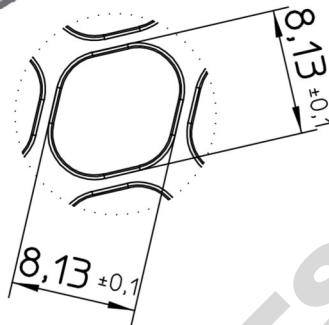
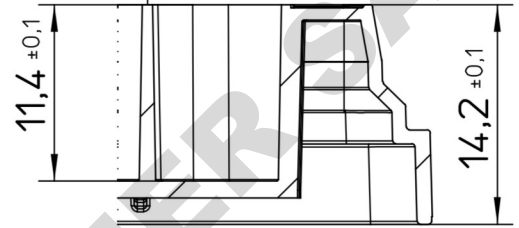


Valid for Item-No.: 655167, 655169



Curvature \updownarrow Max.Diff 0.25



"All dimensions in mm"

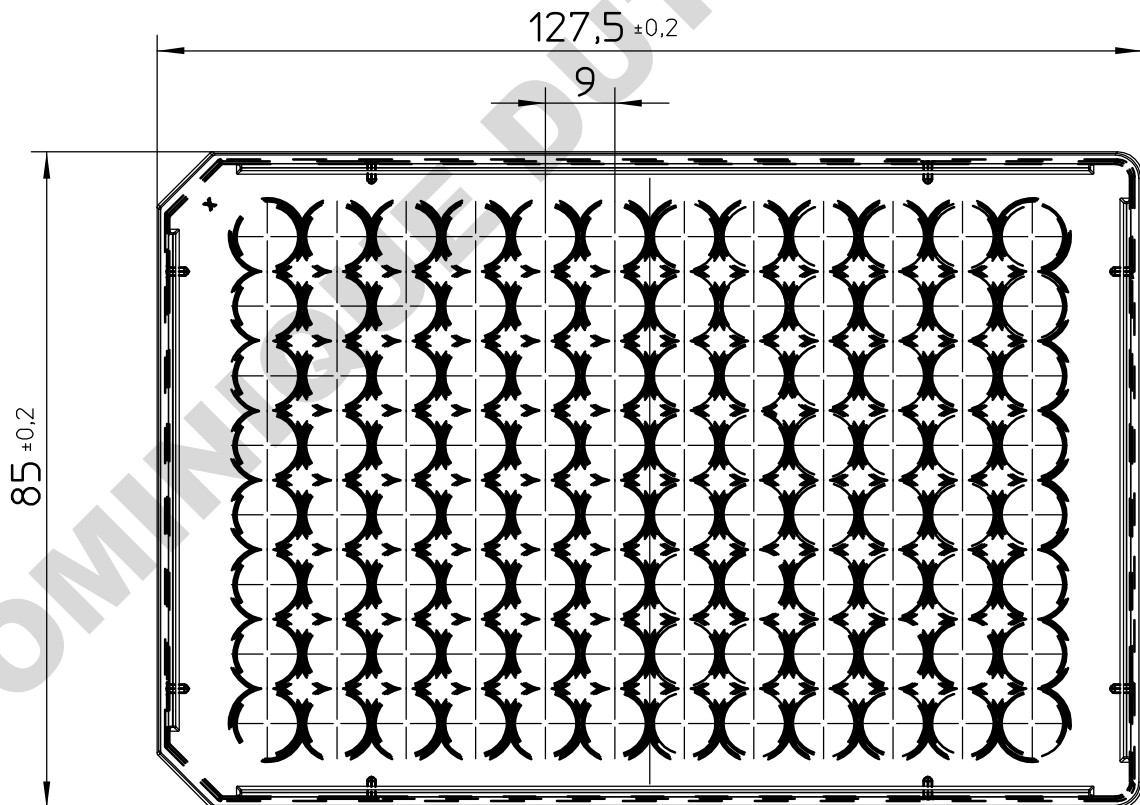
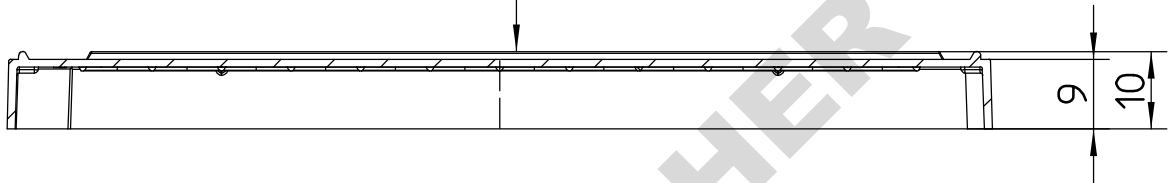
Customer drawing subject to change without notice!

Uncontrolled Copy

Prior Issue	Drawn	Approved	Released	CONFIDENTIAL: Information contained in this document or drawing is confidential and proprietary to Greiner Bio-One GmbH. This document may not be reproduced for any reason without written permission from Greiner Bio-One GmbH. All rights of design, invention, and copyright are reserved.
Revision	Date 2022/09/14	Date 2022/10/04	Date 2022/11/08	
Date	Name forb	Name forb	Name kleber	

Valid for Item-No.: 655167, 655169

Curvature \updownarrow Max.Diff 0.30



"All dimensions in mm"

Customer drawing subject to change without notice!

Uncontrolled Copy

Prior Issue	Drawn	Approved	Released	CONFIDENTIAL: Information contained in this document or drawing is confidential and proprietary to Greiner Bio-One GmbH. This document may not be reproduced for any reason without written permission from Greiner Bio-One GmbH. All rights of design, invention, and copyright are reserved.
Revision	Date 2022/09/14	Date 2022/10/04	Date 2022/11/08	
Date	Name forb	Name forb	Name kleber	