
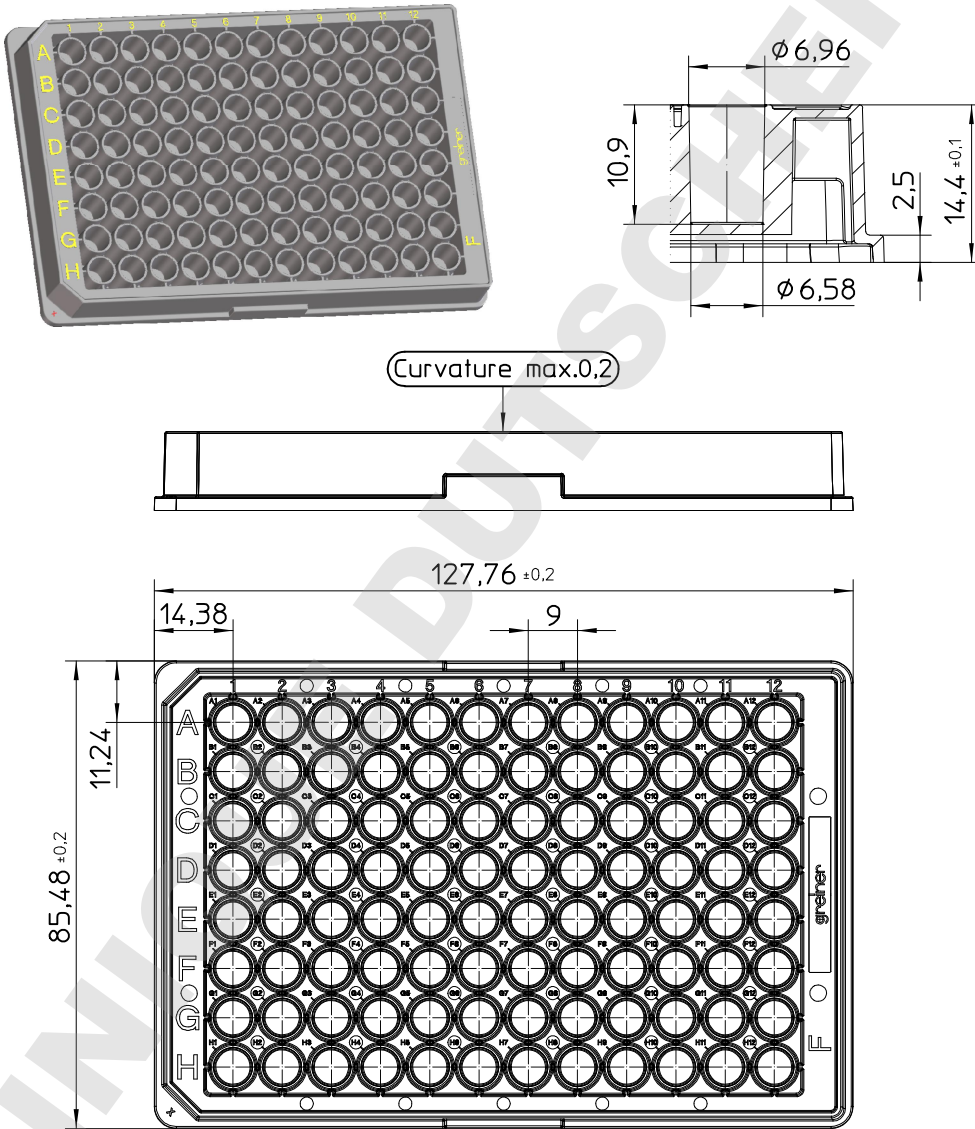


Page 1 of 2	<b>CUSTOMER DRAWING</b>	
Revision 3	PS Microplate, CELLSTAR <sup>®</sup> , 96 Well F-Bottom, Chimney Well	

Valid for Item-No.: 655083, 655086




"All dimensions in mm"

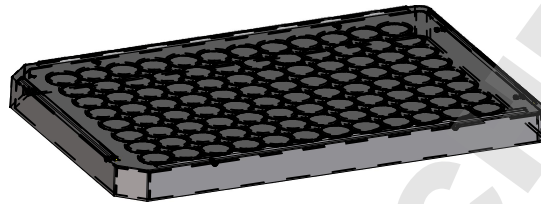
Customer drawing subject to change without notice!

Uncontrolled Copy

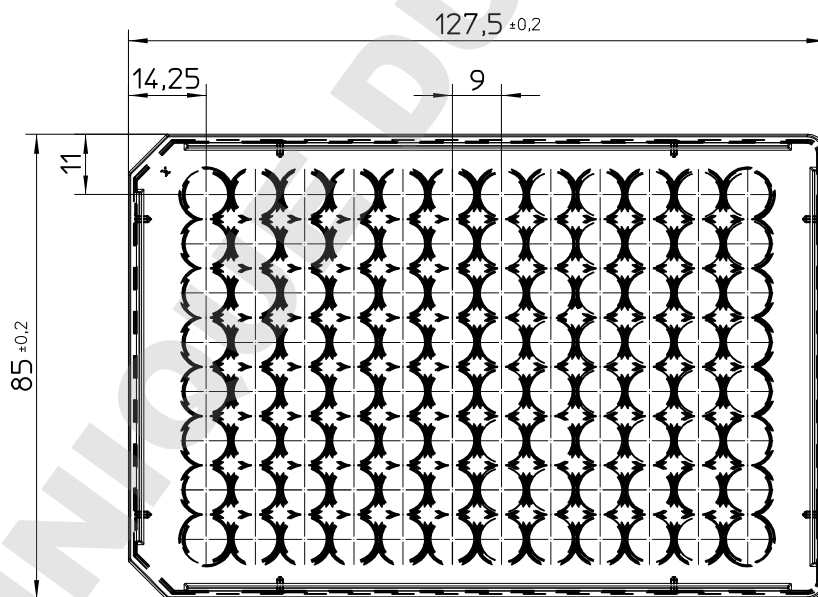
Prior Issue	Drawn	Approved	Released	CONFIDENTIAL: Information contained in this document or drawing is confidential and proprietary to Greiner Bio-One GmbH. This document may not be reproduced for any reason without written permission from Greiner Bio-One GmbH. All rights of design, invention, and copyright are reserved.
Revision 2	Date 2011/03/22	Date 2017/01/31	Date 2017/01/31	
Date 2015/01/21	Name forb	Name schwarzj	Name sonntag	

Page 2 of 2	<b>CUSTOMER DRAWING</b>	
Revision 3	PS Microplate, CELLSTAR <sup>®</sup> , 96 Well F-Bottom, Chimney Well	

Valid for Item-No.: 655083, 655086



Curvature  
+0,3  
-0,3



"All dimensions in mm"

Customer drawing subject to change without notice!

Uncontrolled Copy

Prior Issue	Drawn	Approved	Released	CONFIDENTIAL: Information contained in this document or drawing is confidential and proprietary to Greiner Bio-One GmbH. This document may not be reproduced for any reason without written permission from Greiner Bio-One GmbH. All rights of design, invention, and copyright are reserved.
Revision 2	Date 2011/03/22	Date 2017/01/31	Date 2017/01/31	
Date 2015/01/21	Name forb	Name schwarzj	Name sonntag	