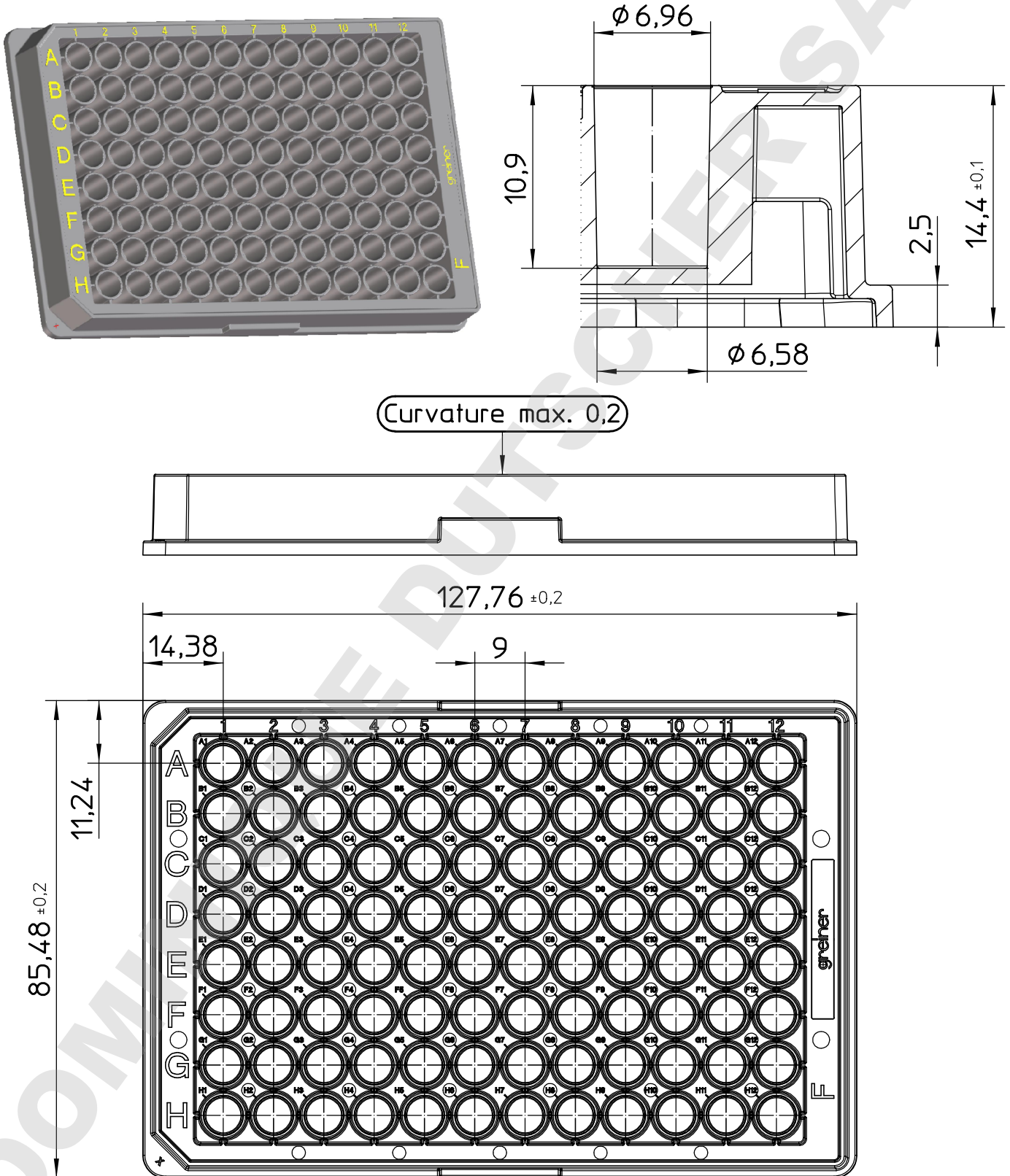


Valid for Item-No.: 655073, 655074, 655075, 655076, 655077, 655079



"All dimensions in mm"

Customer drawing subject to change without notice!

Uncontrolled Copy

Prior Issue	Drawn	Approved	Released	CONFIDENTIAL: Information contained in this document or drawing is confidential and proprietary to Greiner Bio-One GmbH. This document may not be reproduced for any reason without written permission from Greiner Bio-One GmbH. All rights of design, invention, and copyright are reserved.
Revision 4	Date 2011/03/22	Date 2017/01/31	Date 2017/01/31	
Date 2015/01/20	Name forb	Name schwarzj	Name sonntag	