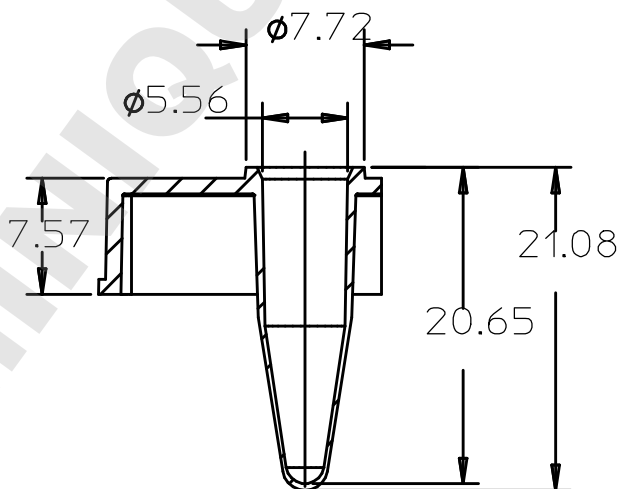
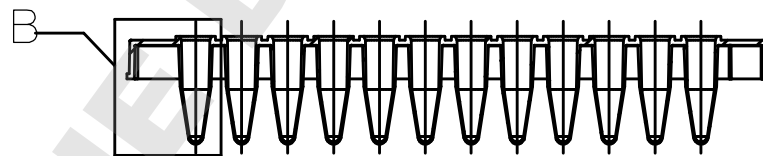
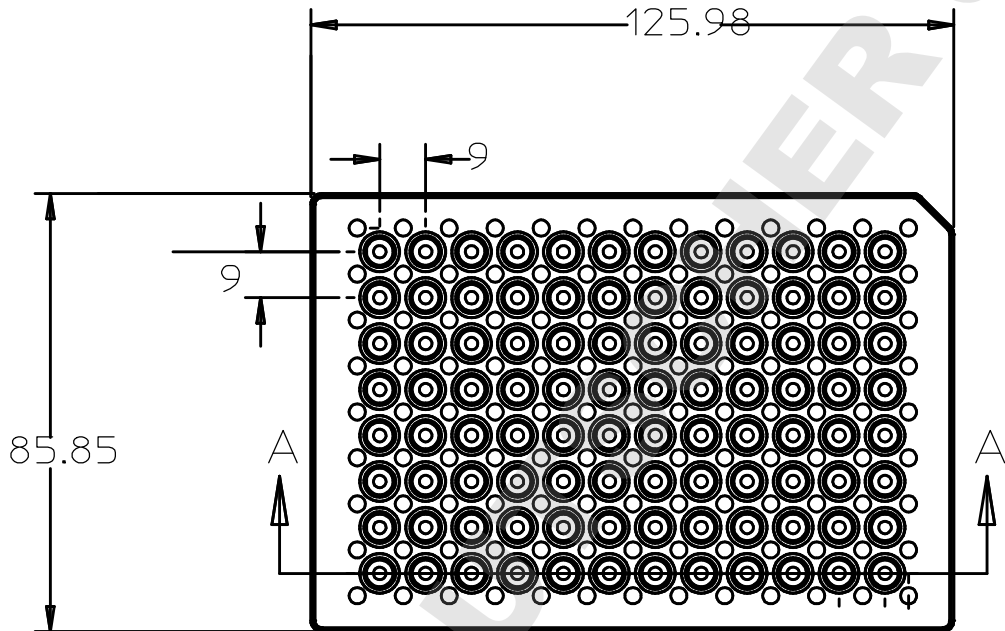


Valid for Item-No.: 652280, 652290



"All dimensions in mm"

Customer drawing subject to change without notice!

Uncontrolled Copy

Prior Issue	Drawn	Approved	Released	CONFIDENTIAL: Information contained in this document or drawing is confidential and proprietary to Greiner Bio-One GmbH. This document may not be reproduced for any reason without written permission from Greiner Bio-One GmbH. All rights of design, invention, and copyright are reserved.
Revision 2	Date 2015/03/12	Date 2017/10/05	Date 2017/10/05	
Date 2015/09/16	Name schwarzj	Name forb	Name sonntag	