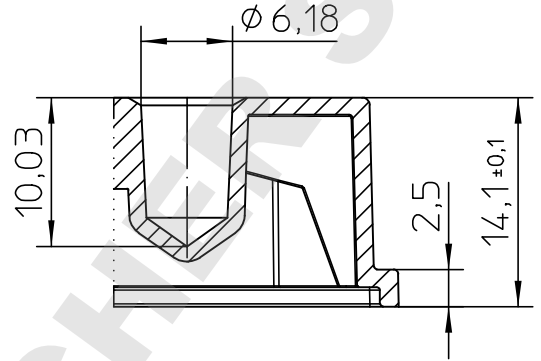
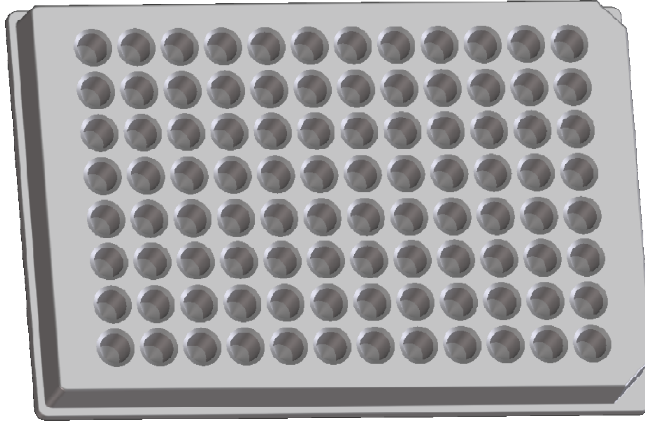
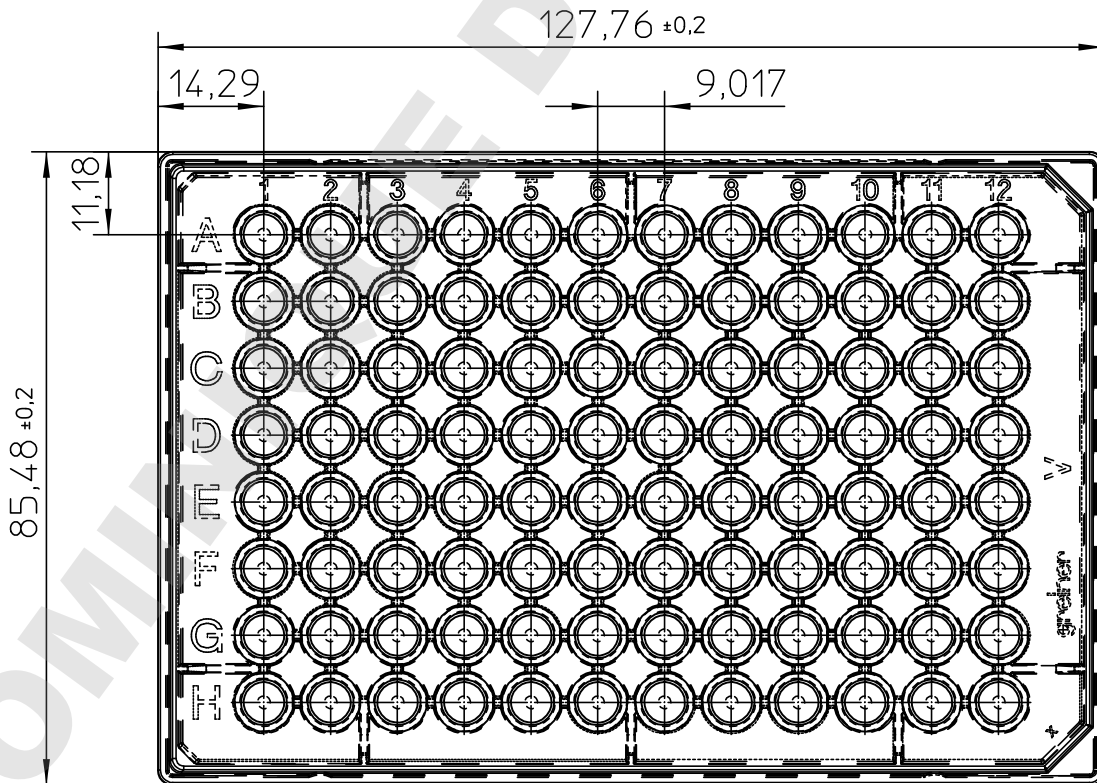


Valid for Item-No.: 651970



Curvature max.0,2



"All dimensions in mm"

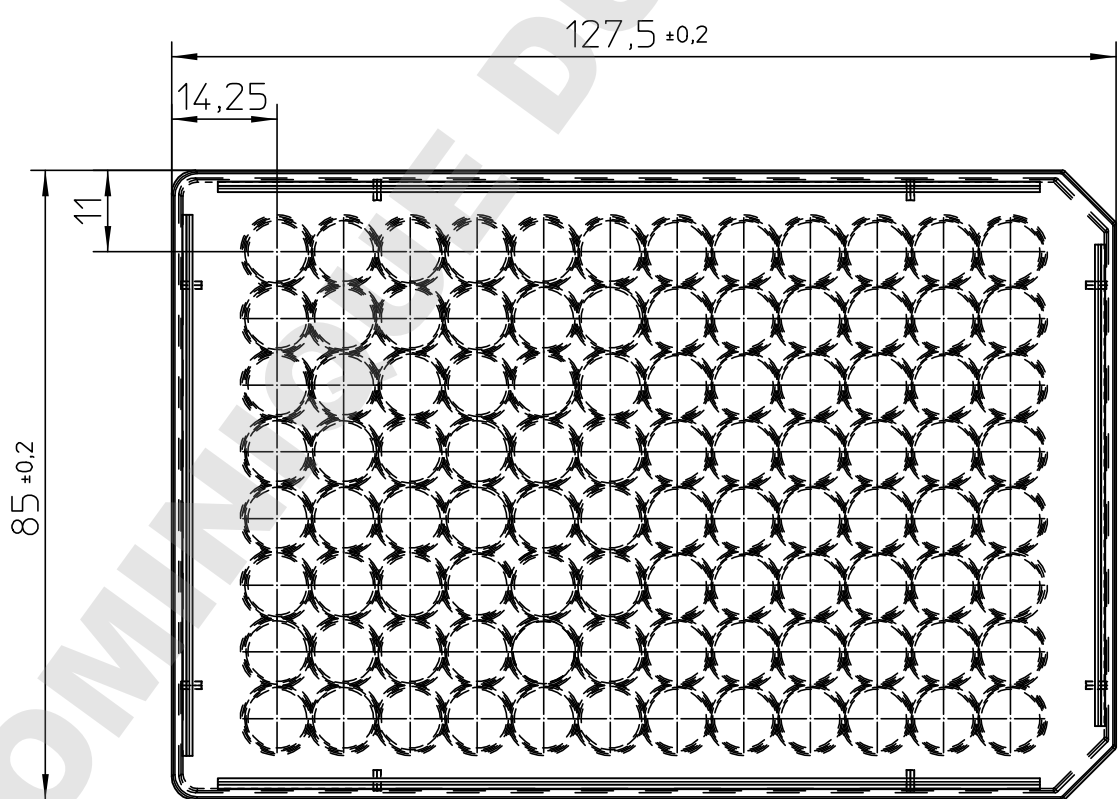
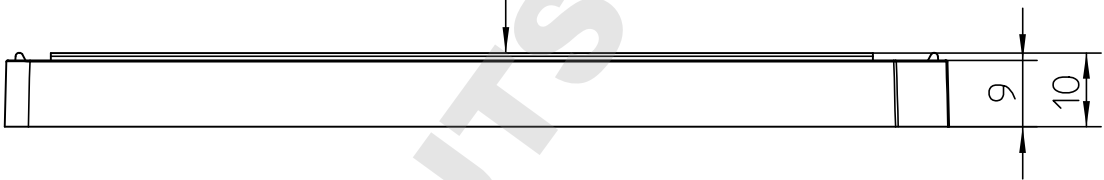
Customer drawing subject to change without notice!

Uncontrolled Copy

Prior Issue	Drawn	Approved	Released	CONFIDENTIAL: Information contained in this document or drawing is confidential and proprietary to Greiner Bio-One GmbH. This document may not be reproduced for any reason without written permission from Greiner Bio-One GmbH. All rights of design, invention, and copyright are reserved.
Revision	Date 2015/02/09	Date 2015/02/09	Date 2015/02/09	
Date	Name schwarzj	Name schwarzj	Name sonntag	



Curvature +0,3
-0,3



"All dimensions in mm"

Customer drawing subject to change without notice!

Uncontrolled Copy

Prior Issue	Drawn	Approved	Released	CONFIDENTIAL: Information contained in this document or drawing is confidential and proprietary to Greiner Bio-One GmbH. This document may not be reproduced for any reason without written permission from Greiner Bio-One GmbH. All rights of design, invention, and copyright are reserved.
Revision	Date 2015/02/09	Date 2015/02/09	Date 2015/02/09	
Date	Name schwarzj	Name schwarzj	Name sonntag	