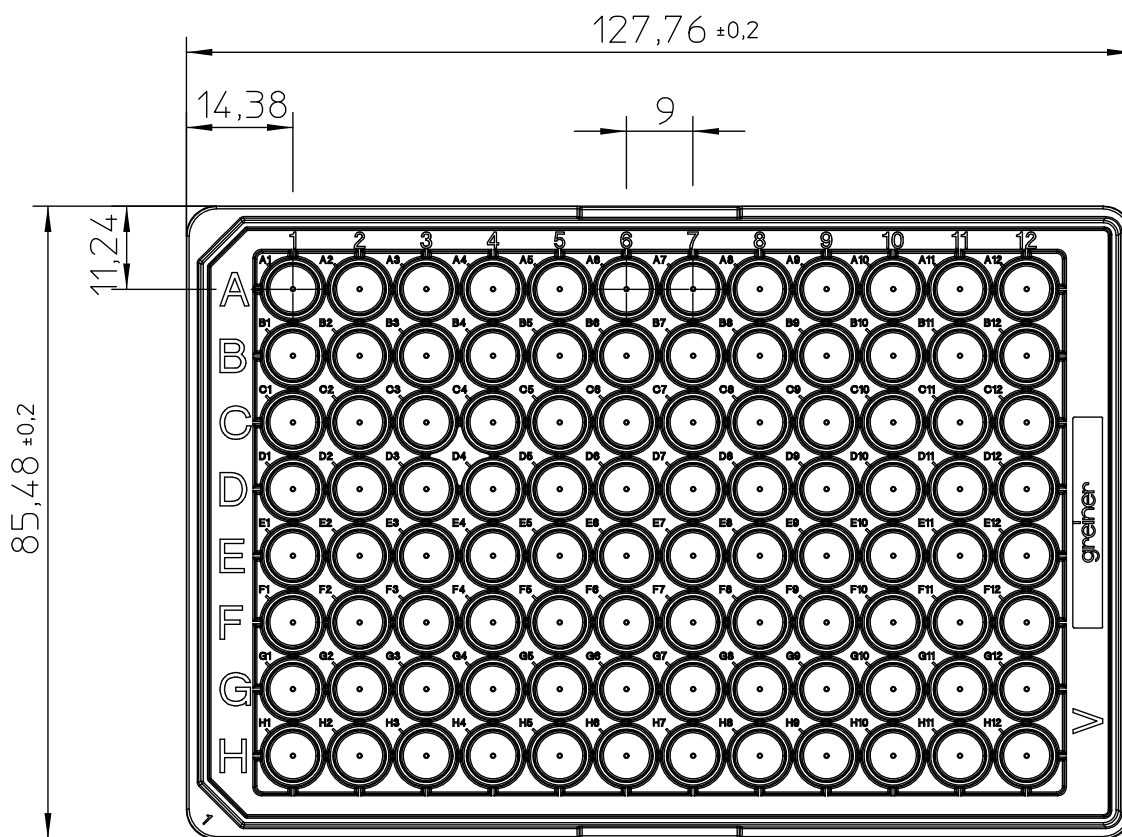
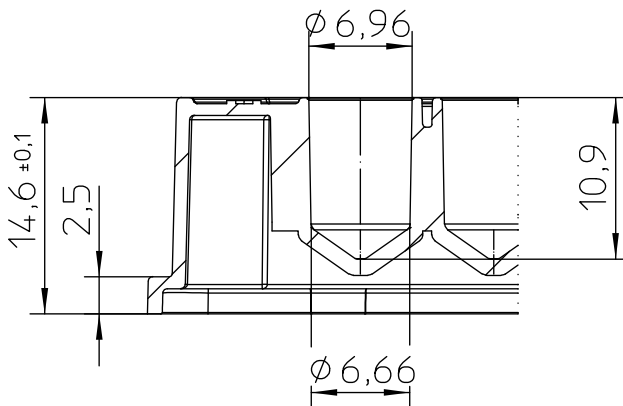
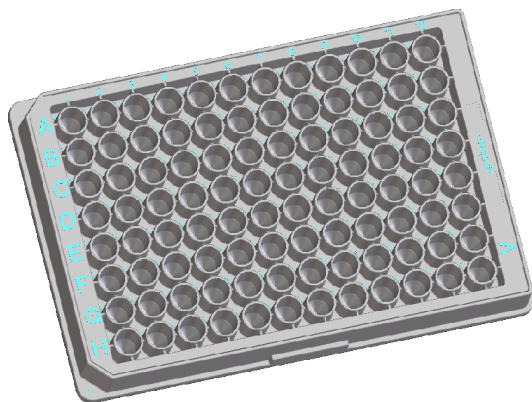


Valid for Item-No.: 651201,651201-01, 651203, 651203-01, 651204, 651205, 651206, 651206-01, 651209, 651219, 651220, 651261



"All dimensions in mm"

Customer drawing subject to change without notice!

Uncontrolled Copy

Prior Issue	Drawn	Approved	Released	CONFIDENTIAL: Information contained in this document or drawing is confidential and proprietary to Greiner Bio-One GmbH. This document may not be reproduced for any reason without written permission from Greiner Bio-One GmbH. All rights of design, invention, and copyright are reserved.
Revision 1	Date 2010/12/17	Date 2014/06/04	Date 2014/06/04	
Date 2011/02/03	Name falter	Name schwarzj	Name sonntag	