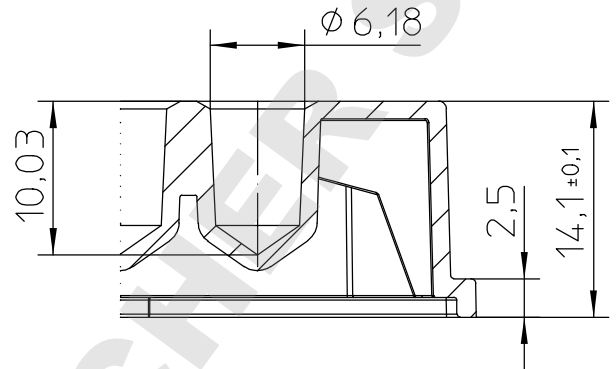
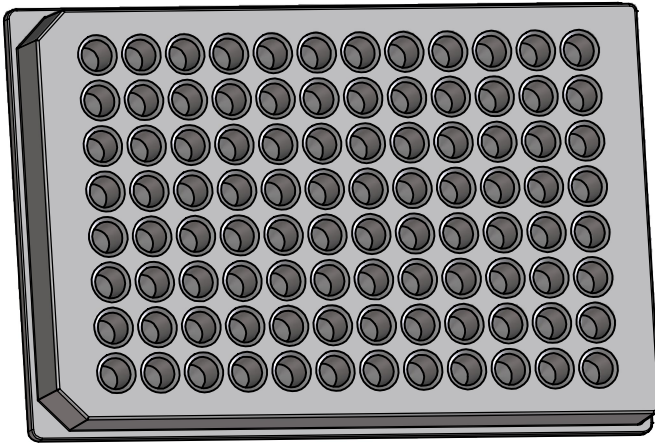


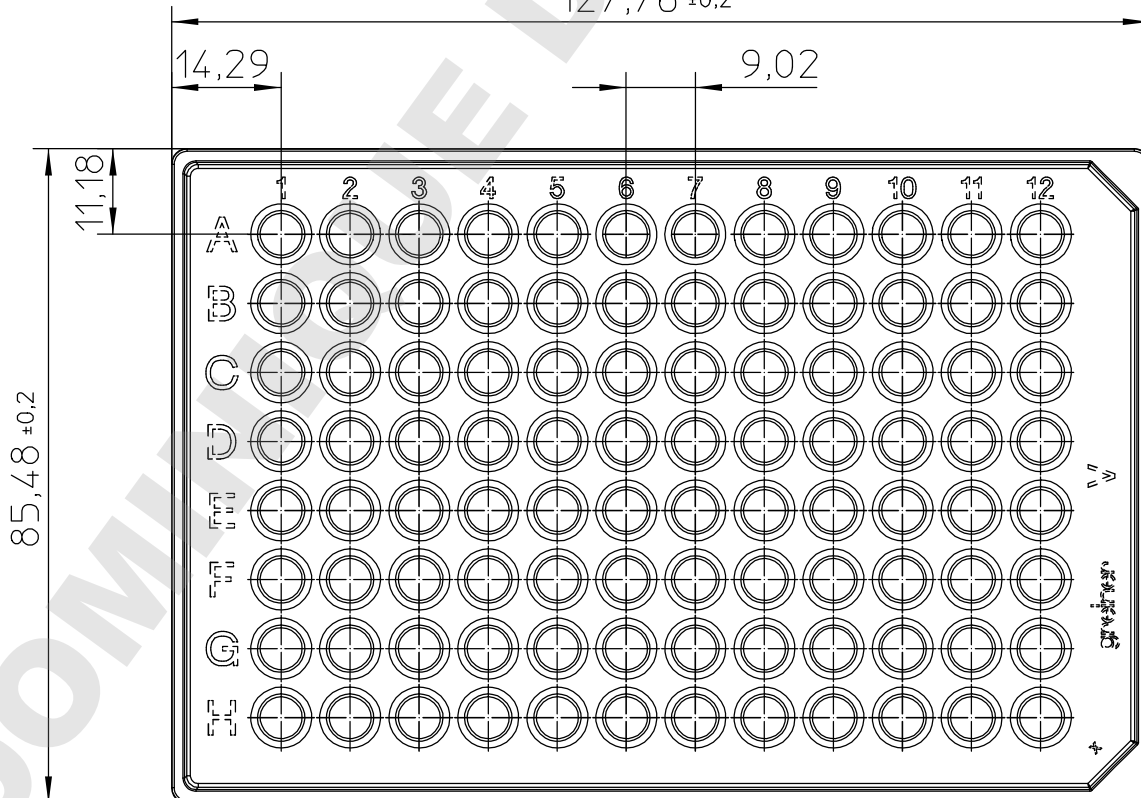
Valid for Item-No.: 651001, 651061



Curvature +0,2
-0,2



127,76 ± 0,2



"All dimensions in mm"

Customer drawing subject to change without notice!

Uncontrolled Copy

Prior Issue	Drawn	Approved	Released	CONFIDENTIAL: Information contained in this document or drawing is confidential and proprietary to Greiner Bio-One GmbH. This document may not be reproduced for any reason without written permission from Greiner Bio-One GmbH. All rights of design, invention, and copyright are reserved.
Revision 1	Date 2011/05/26	Date 2014/12/08	Date 2014/12/08	
Date 2011/06/09	Name forb	Name schwarzj	Name sonntag	