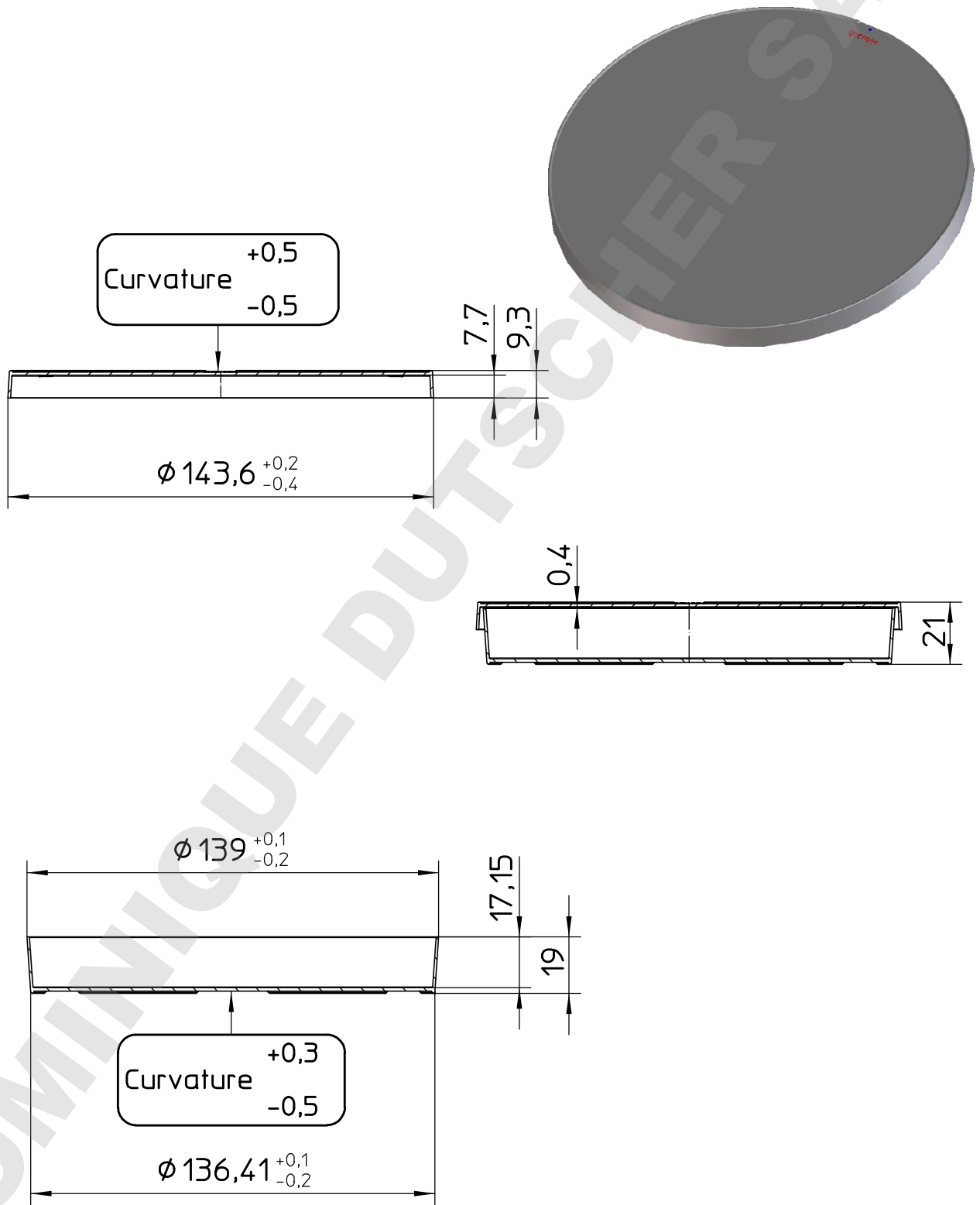


Valid for Item-No.: 639160, 639160-TRI, 639960



"All dimensions in mm"

Customer drawing subject to change without notice!

Uncontrolled Copy

Prior Issue	Drawn	Approved	Released	CONFIDENTIAL: Information contained in this document or drawing is confidential and proprietary to Greiner Bio-One GmbH. This document may not be reproduced for any reason without written permission from Greiner Bio-One GmbH. All rights of design, invention, and copyright are reserved.
Revision 4	Date 2012/10/11	Date 2015/09/01	Date 2015/09/01	
Date 2015/08/31	Name forb	Name schwarzj	Name sonntag	