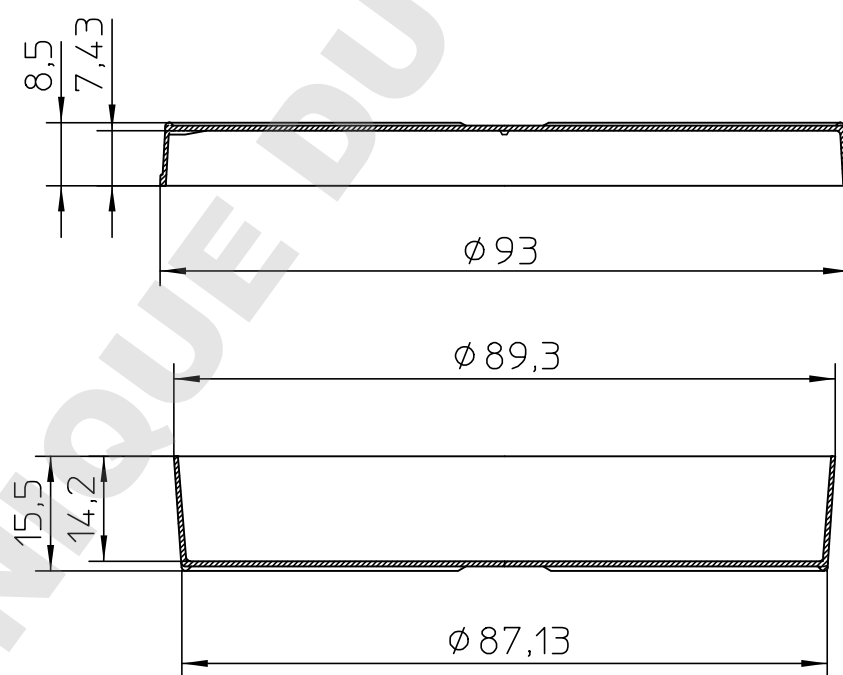
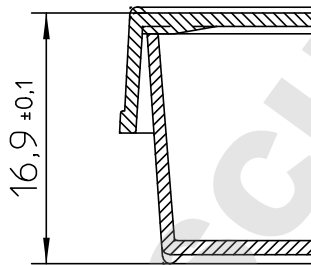


Valid for Item-No.: 633102, 633161, 633180,



"All dimensions in mm"

Customer drawing subject to change without notice!

Uncontrolled Copy

Prior Issue	Drawn	Approved	Released	CONFIDENTIAL: Information contained in this document or drawing is confidential and proprietary to Greiner Bio-One GmbH. This document may not be reproduced for any reason without written permission from Greiner Bio-One GmbH. All rights of design, invention, and copyright are reserved.
Revision 1	Date 2011/05/23	Date 2012/09/28	Date 2012/09/28	
Date 2011/05/23	Name falter	Name falter	Name sonntag	