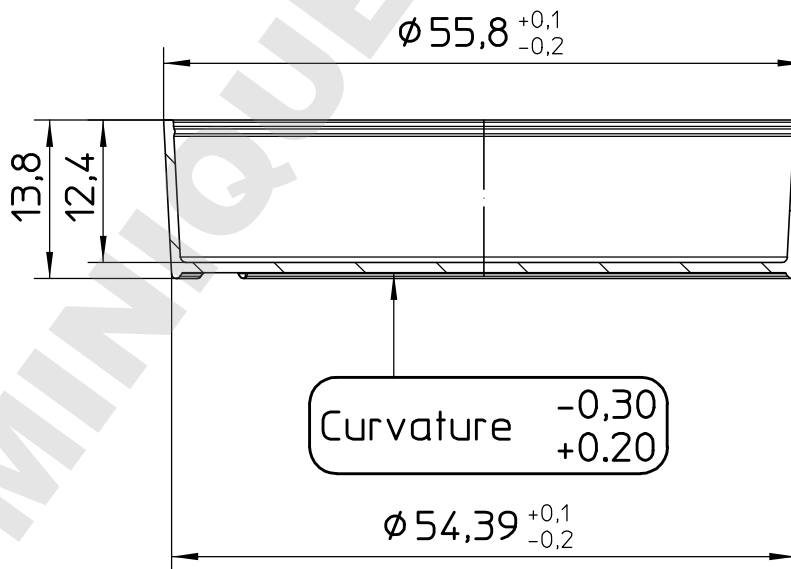
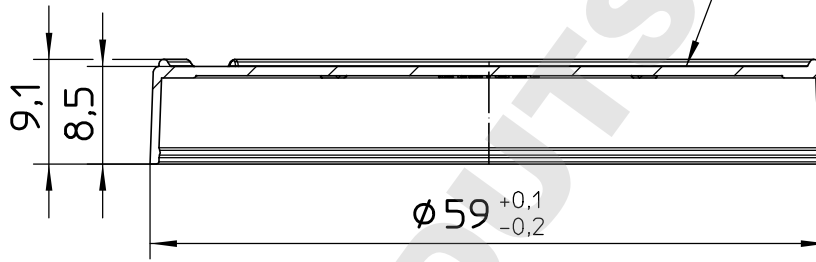
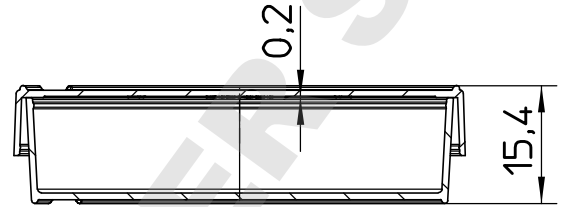
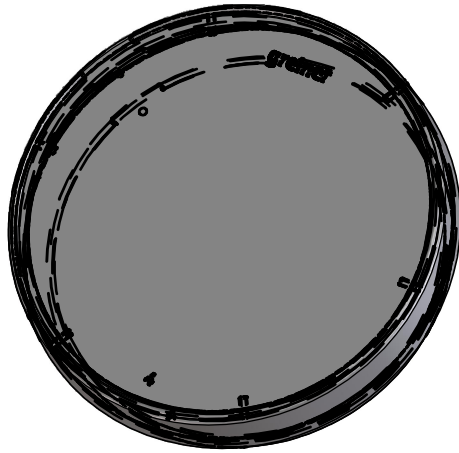


Valid for Item-No.: 628102, 628160, 628160-TRI, 628161



"All dimensions in mm"

Customer drawing subject to change without notice!

Uncontrolled Copy

| Prior Issue | Drawn | Approved | Released | CONFIDENTIAL: Information contained in this document or drawing is confidential and proprietary to Greiner Bio-One GmbH. This document may not be reproduced for any reason without written permission from Greiner Bio-One GmbH. All rights of design, invention, and copyright are reserved. |
|-------------|--------------------|--------------------|--------------------|--|
| Revision | Date 2017/11/03 | Date 2017/11/21 | Date 2017/11/21 | |
| Date | Name gerlach | Name schwarzj | Name sonntag | |