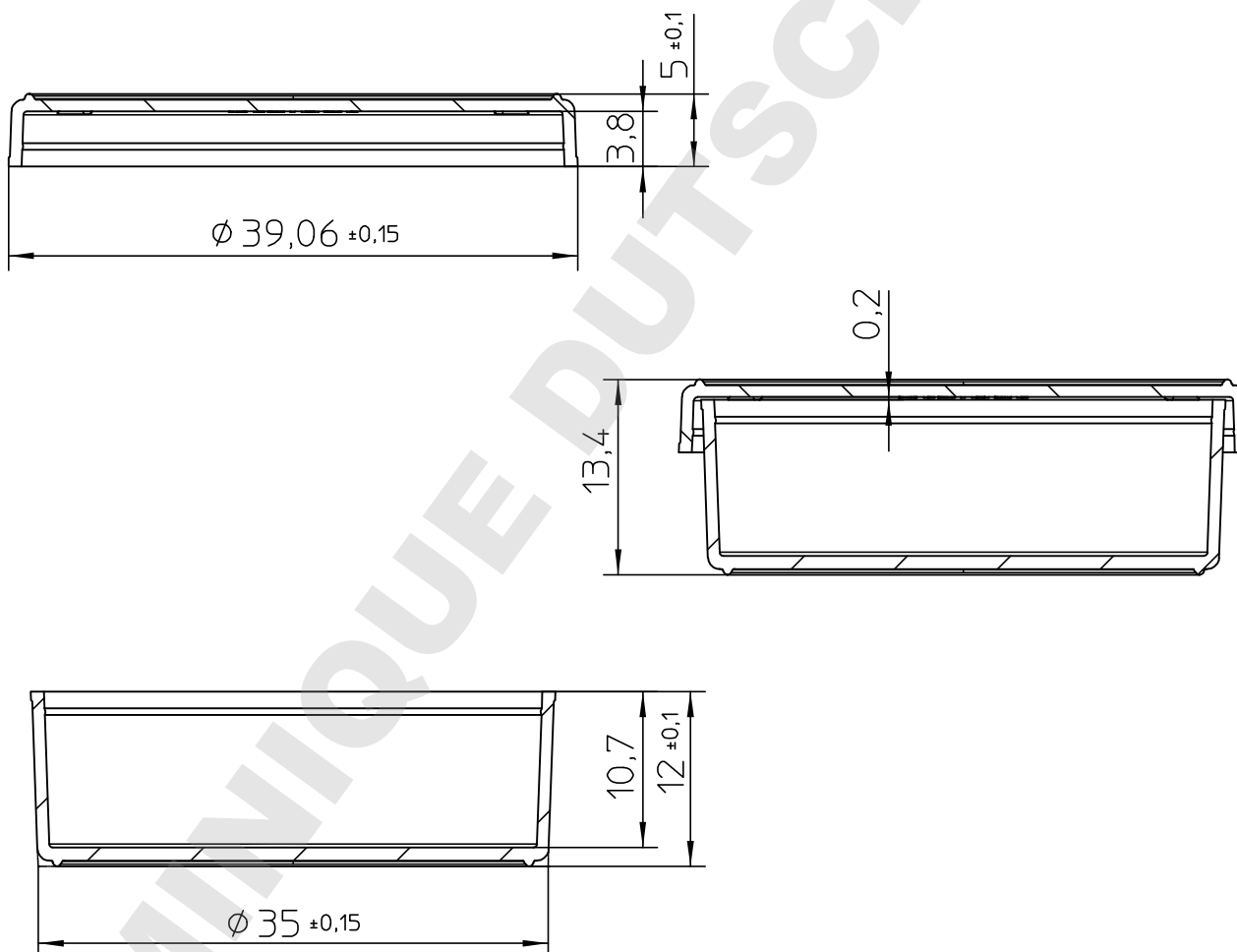
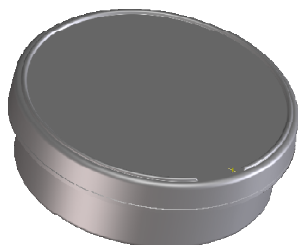




Valid for Item-No.: 627102, 627160, 627161



Only layout change, no design change of the product.
 Prior drawing No. AC-6271xx/ Rev 01/ November 26, 2009

"All dimensions in mm"

Customer drawing subject to change without notice!

Uncontrolled Copy

Prior Issue	Drawn	Approved	Released	CONFIDENTIAL: Information contained in this document or drawing is confidential and proprietary to Greiner Bio-One GmbH. This document may not be reproduced for any reason without written permission from Greiner Bio-One GmbH. All rights of design, invention, and copyright are reserved.
Revision	Date 2011/05/17	Date 2011/05/17	Date 2011/05/17	
Date	Name falter	Name falter	Name sonntag	