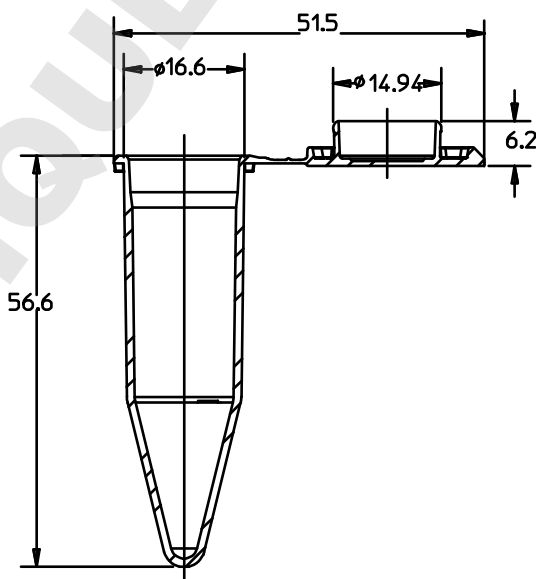
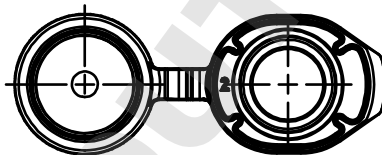
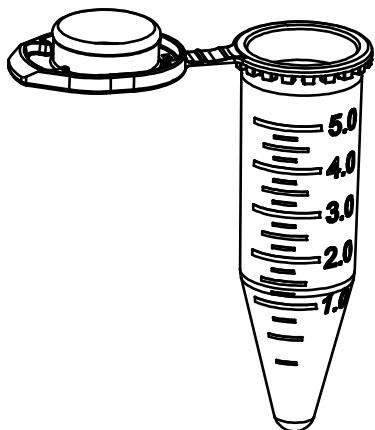


Valid for Item-No.: 622201, 622261



"All dimensions in mm"

Customer drawing subject to change without notice!

Uncontrolled Copy

Prior Issue	Drawn	Approved	Released	CONFIDENTIAL: Information contained in this document or drawing is confidential and proprietary to Greiner Bio-One GmbH. This document may not be reproduced for any reason without written permission from Greiner Bio-One GmbH. All rights of design, invention, and copyright are reserved.
Revision 2	Date 2018/03/29	Date 2018/07/25	Date 2018/07/25	
Date 2018/04/05	Name forb	Name forb	Name sonntag	