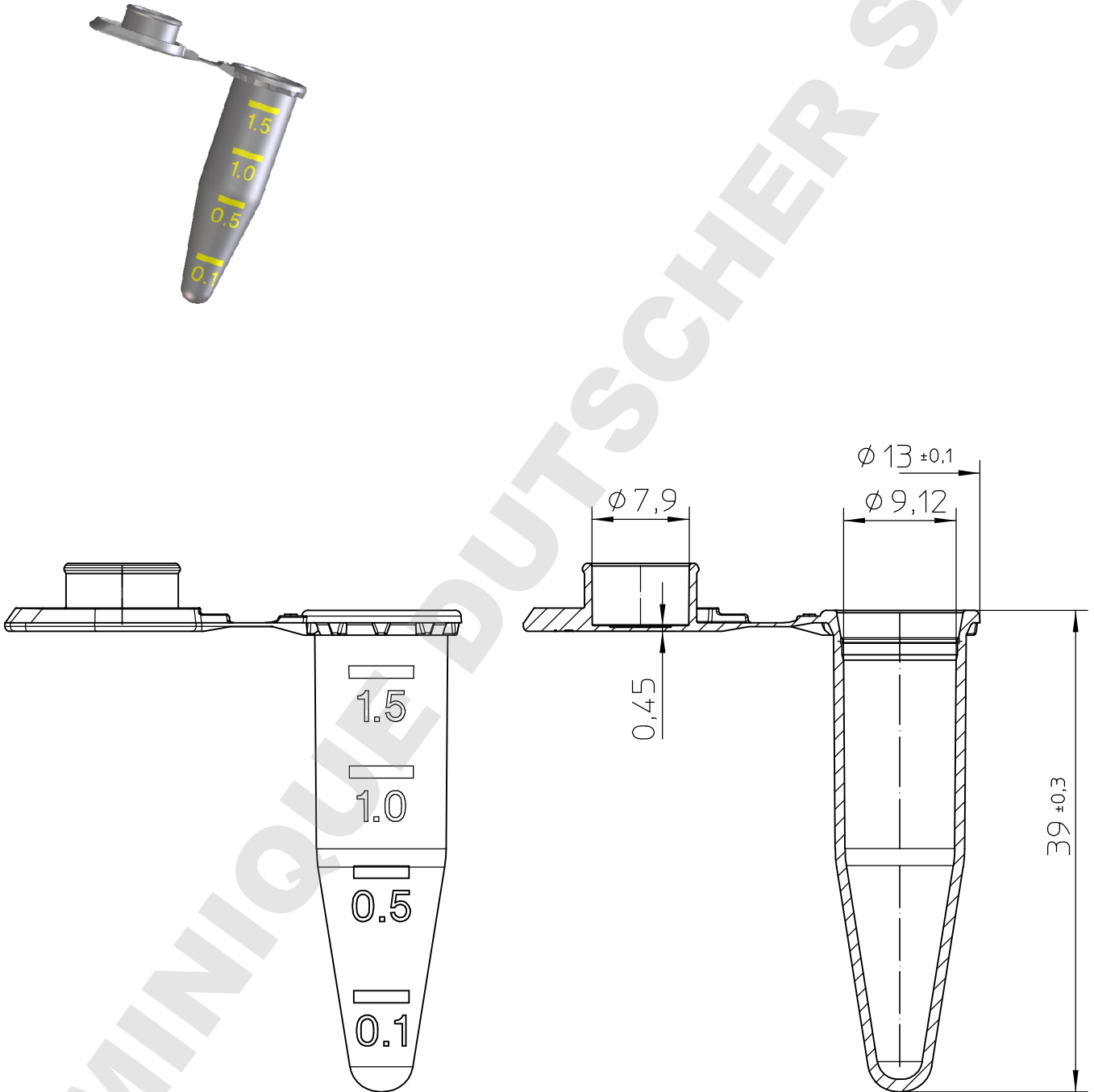


Valid for Item-No.: 616201, 616261, 616272, 616273, 616274, 616275, 616276, 616283



"All dimensions in mm"

Customer drawing subject to change without notice!

Uncontrolled Copy

Prior Issue	Drawn	Approved	Released	CONFIDENTIAL: Information contained in this document or drawing is confidential and proprietary to Greiner Bio-One GmbH. This document may not be reproduced for any reason without written permission from Greiner Bio-One GmbH. All rights of design, invention, and copyright are reserved.
Revision 1	Date 2011/05/16	Date 2012/07/09	Date 2012/07/09	
Date 2011/05/16	Name falter	Name falter	Name sonntag	