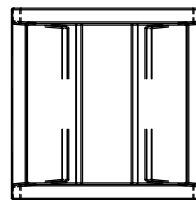
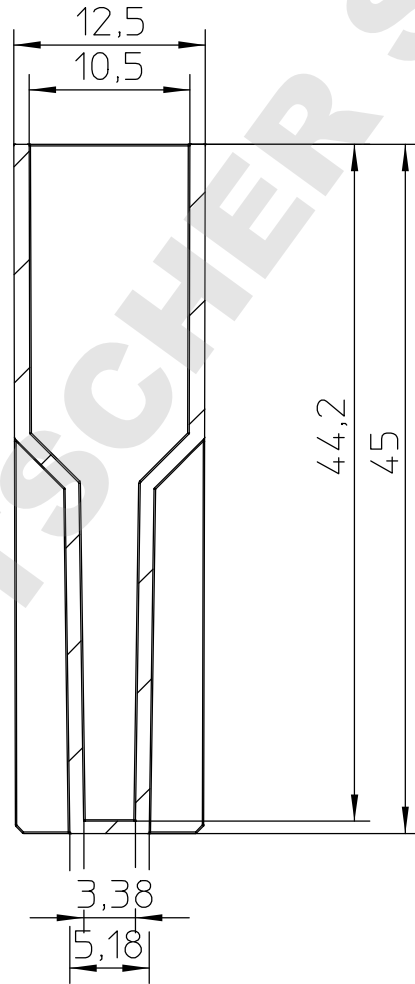
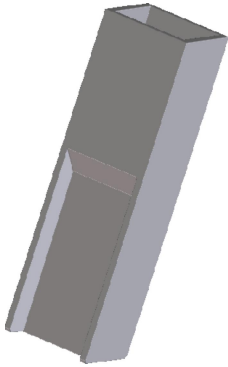


Valid for Item-No.: 613101



"All dimensions in mm"

Customer drawing subject to change without notice!

Uncontrolled Copy

| Prior Issue | Drawn | Approved | Released | CONFIDENTIAL: Information contained in this document or drawing is confidential and proprietary to Greiner Bio-One GmbH. This document may not be reproduced for any reason without written permission from Greiner Bio-One GmbH. All rights of design, invention, and copyright are reserved. |
|--------------------|--------------------|--------------------|--------------------|--|
| Revision 1 | Date 2011/05/13 | Date 2014/03/18 | Date 2014/03/18 | |
| Date 2011/05/13 | Name falter | Name schwarzj | Name sonntag | |