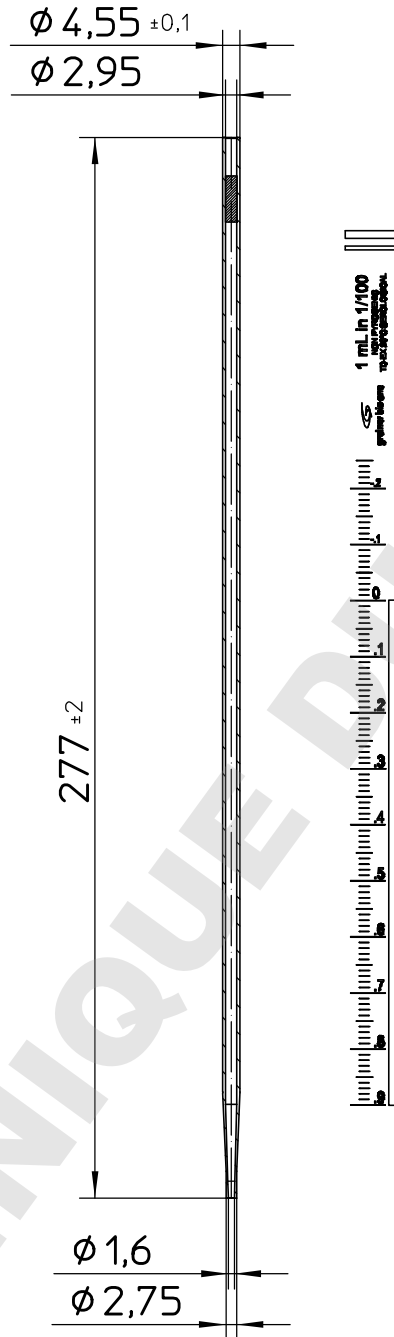


Valid for Item-No.: 604107, 604160, 604181, 606160-TRI



"All dimensions in mm"

Customer drawing subject to change without notice!

Uncontrolled Copy

Prior Issue	Drawn	Approved	Released	CONFIDENTIAL: Information contained in this document or drawing is confidential and proprietary to Greiner Bio-One GmbH. This document may not be reproduced for any reason without written permission from Greiner Bio-One GmbH. All rights of design, invention, and copyright are reserved.
Revision 3	Date 2011/05/10	Date 2017/11/27	Date 2017/11/27	
Date 2015/12/10	Name forb	Name forb	Name sonntag	