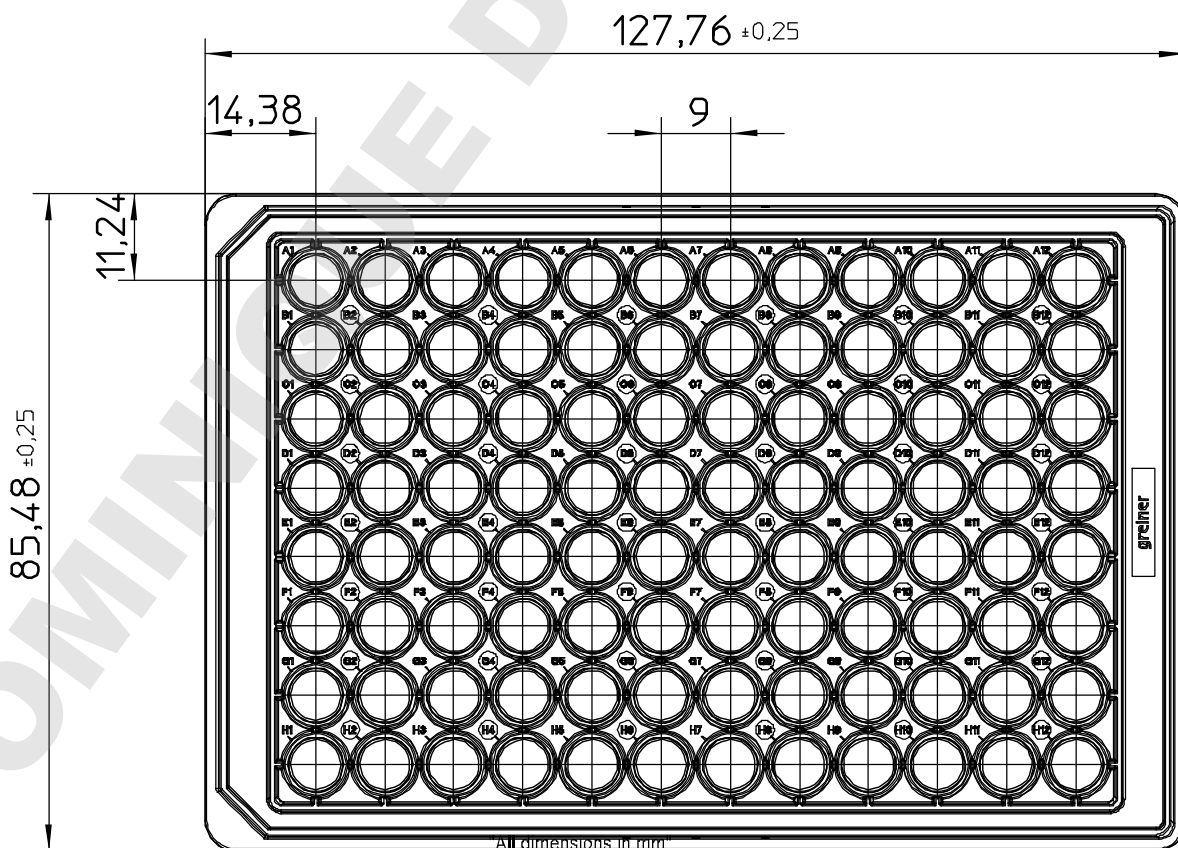
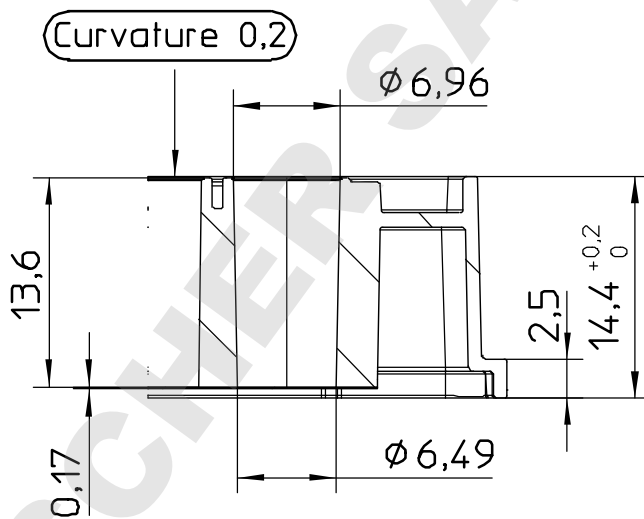
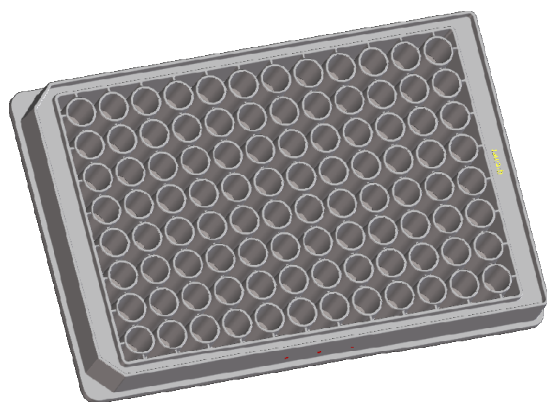




Valid for Item-No.: 655891



All dimensions in mm

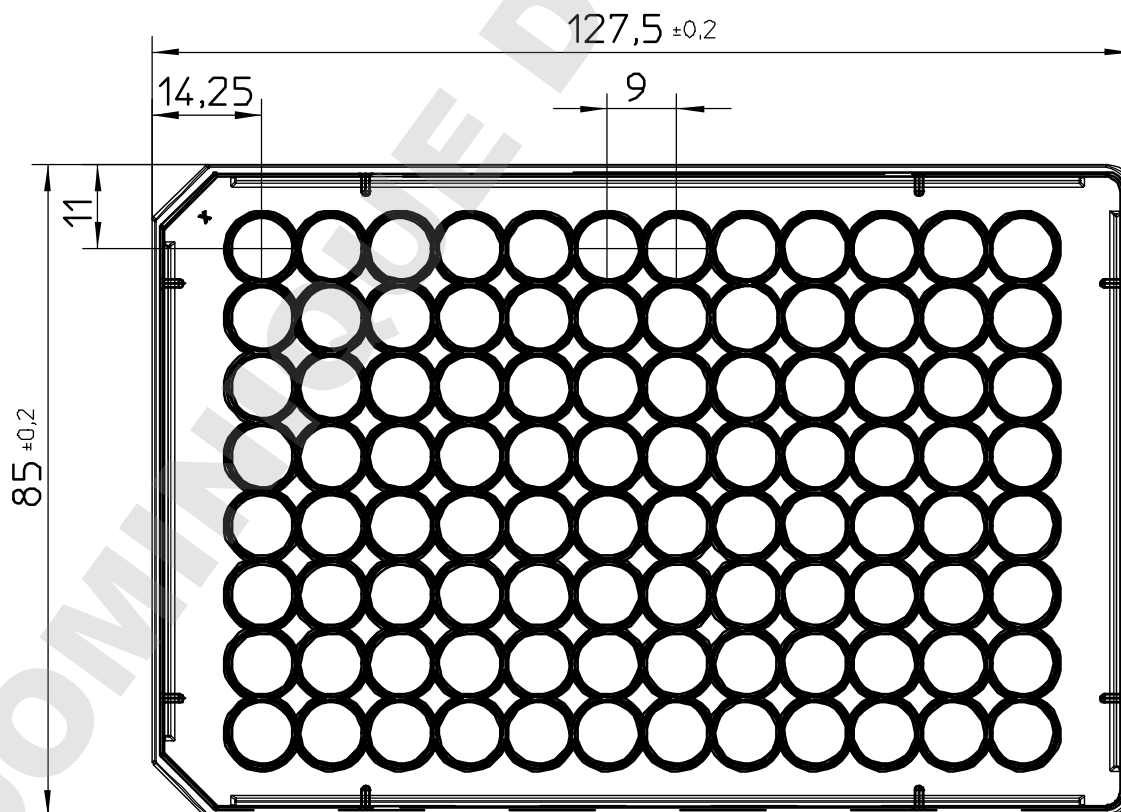
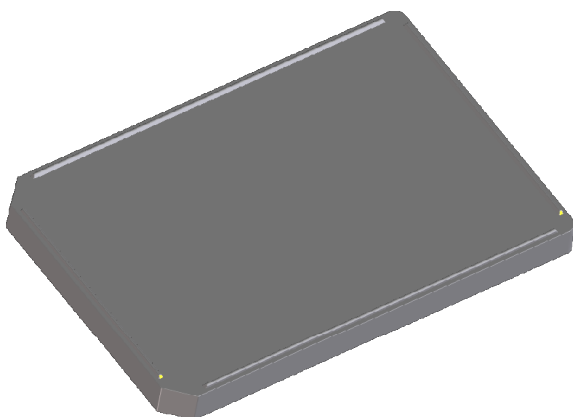
Customer drawing subject to change without notice!

Uncontrolled Copy

Prior Issue	Drawn	Approved	Released	CONFIDENTIAL: Information contained in this document or drawing is confidential and property of Greiner Bio-One GmbH. This document may not be reproduced for any reason without written permission from Greiner Bio-One GmbH. All rights of design, invention, and copyright are reserved.
Revision	Date 9/10/12 12:00 AM	Date 4/11/19 11:19 AM	Date 4/11/19 11:21 AM	
Date	Name forb	Name forb	Name sonntag	



Valid for Item-No.: 655891



"All dimensions in mm"

Customer drawing subject to change without notice!

Uncontrolled Copy

Prior Issue	Drawn	Approved	Released	CONFIDENTIAL: Information contained in this document or drawing is confidential and property of Greiner Bio-One GmbH. This document may not be reproduced for any reason without written permission from Greiner Bio-One GmbH. All rights of design, invention, and copyright are reserved.
Revision	Date 9/10/12 12:00 AM	Date 4/11/19 11:19 AM	Date 4/11/19 11:21 AM	
Date	Name forb	Name forb	Name sonntag	