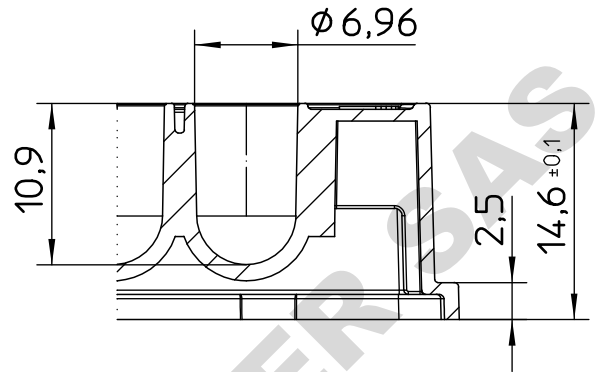
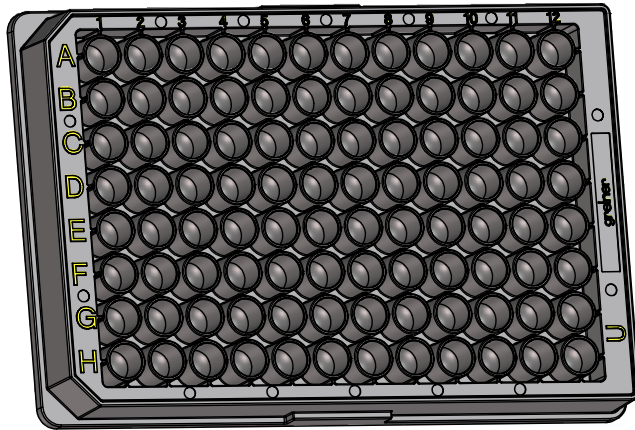
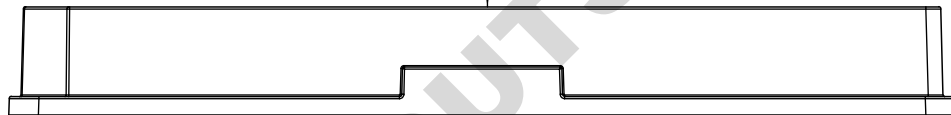


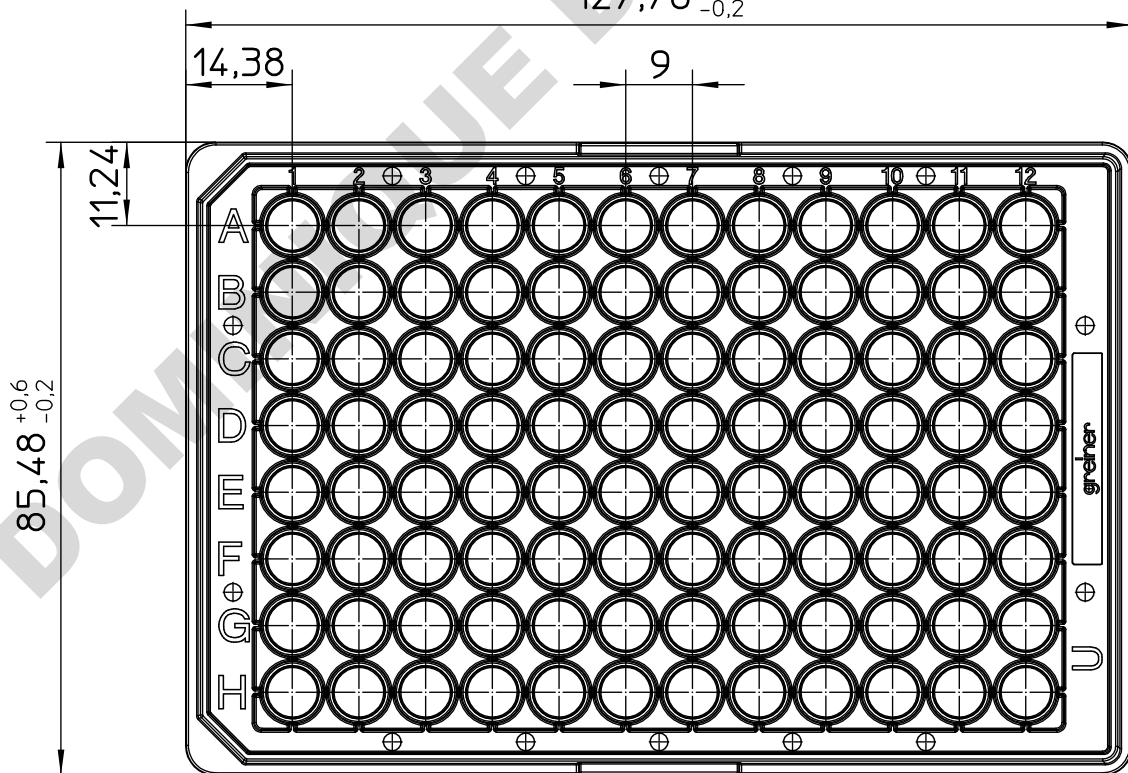
Valid for Item-No.: 650201, 650207, 650209, 650261



Curvature \updownarrow Max.Diff 0.35



127,76 $^{+0,6}_{-0,2}$



"All dimensions in mm"

Customer drawing subject to change without notice!

Uncontrolled Copy

Prior Issue	Drawn	Approved	Released	CONFIDENTIAL: Information contained in this document or drawing is confidential and proprietary to Greiner Bio-One GmbH. This document may not be reproduced for any reason without written permission from Greiner Bio-One GmbH. All rights of design, invention, and copyright are reserved.
Revision 6	Date 2011/06/01	Date 2025/04/15	Date 2025/04/15	
Date N/A	Name forb	Name kleber	Name kronm	